

Customer

Technical data

Single-pump system

Economy CO/T-1 Helix V 404/EC

Project ID: Untitled project 2025-03-03 10:34:21.227

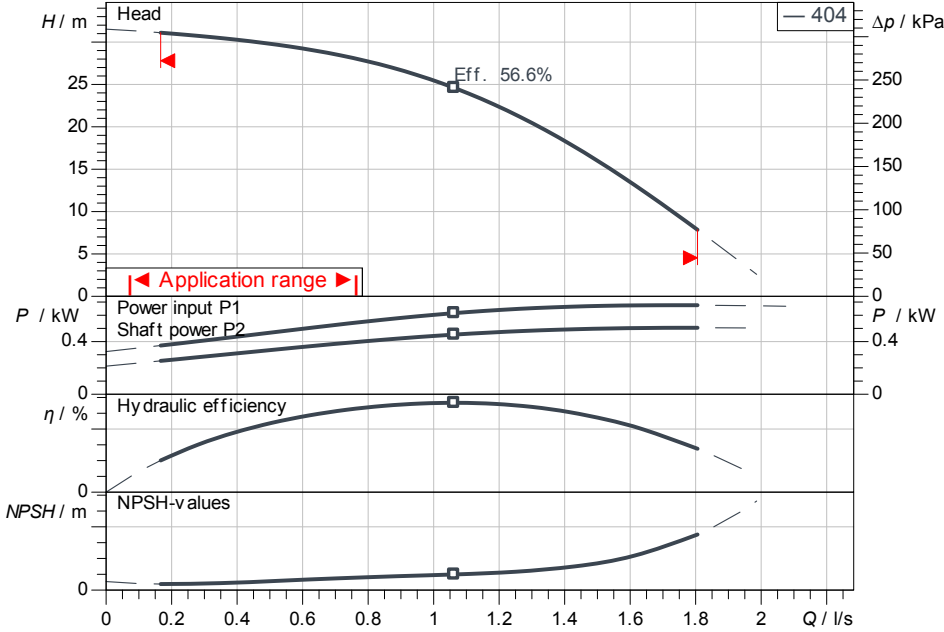
Project name: D8D8A844-BBE4-409C-BA0F-924621B40645

Installation location

Customer pos. No.

Date: 2025-03-03

Duty chart



Requested data

Flow	
Head	
Media	Water 100 %
Fluid temperature	20.00 °C
Density	998.30 kg/m ³
Kin. viscosity	1.00 mm ² /s

Hydraulic data (Duty point)

Flow	
Head	
Shaft power P2	

Product data

Single-pump system	
Economy CO/T-1 Helix V 404/EC	
Control	Without frequency conversion
No. of pumps	1
Max. operating pressure	1,000 kPa
Inlet pressure max.	6 bar
Fluid temperature	5 °C ... +40 °C
Max. ambient temperature	40 °C
Protection class motor	IP55
Protection class of switchgear	IP54
Diaphragm pressure vessel	Yes
Low-water cut-out switchgear	Yes

Motordata per Motor/Pump

Motor efficiency level	IE2
Mains connection	3~ 400 V / 50 Hz
Permitted voltage tolerance	+/-10 %
Rated speed	2,900 1/min
Rated power P2	0.55 kW
Rated current	1.32 A
Power factor	0.85
Efficiency	
50% / 75% / 100%	72.8/76.7/77.2%
Degree of protection	IP55
Insulation class	F
Motor protection	Yes

Fitting dimensions

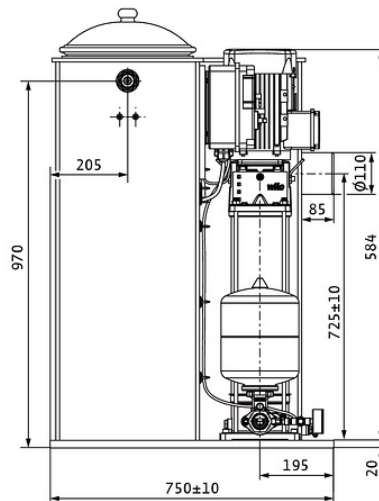
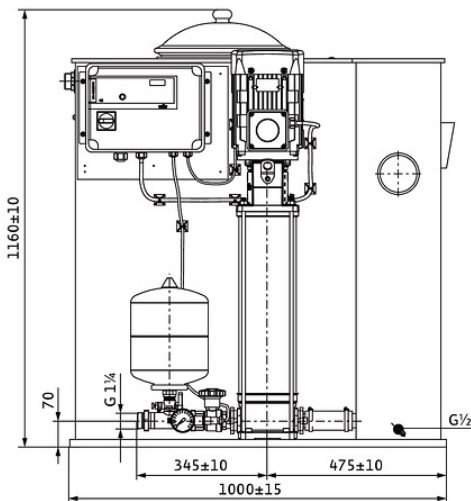
Pipe connection on the suction side	G 1 1/4, PN 10
Pipe connection (pressure side)	G 1 1/4, PN 16
Overflow connection	Ø 110
Gross volume	150 l

Materials

Tank	PE-HD
Pump housing	1.4301
Impeller	1.4307
Shaft	1.4301
Shaft seal	Q1BE3GG
Gasket material	EPDM
Pipework material	1.4307

Information for order placements

Weight approx.	86 kg
Item number	2554258



Dimensions mm

Contact
E-mail
Phone

Customer

Contact
E-mail
Phone

Dimensions

Single-pump system

Economy CO/T-1 Helix V 404/EC

Project ID

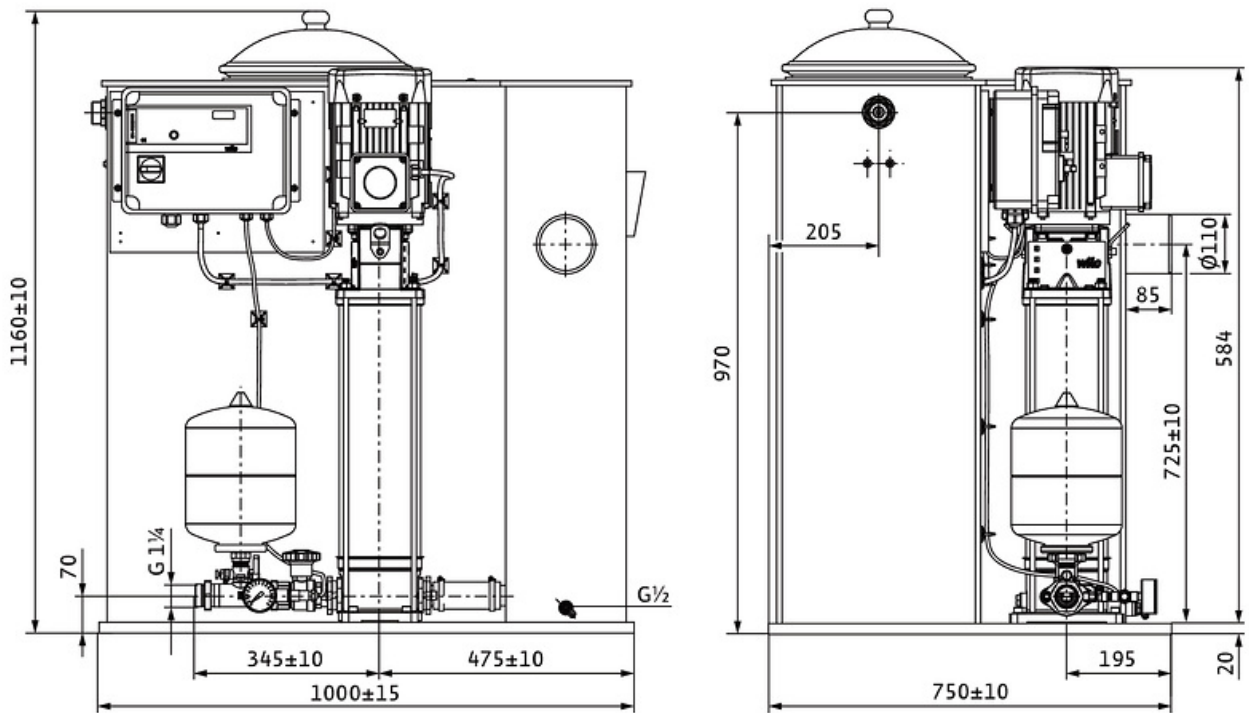
Untitled project 2025-03-03 10:34:21.227

Project name

Installation location

Customer pos. No.

Date 2025-03-03



Standard

Suction side G 1 1/4, PN 10/PN 16

Discharge side G 1 1/4, PN 10/PN 16

Dimensions mm

Name	Value	Name	Value	Name	Value	Name	Value
------	-------	------	-------	------	-------	------	-------