

Customer

Technical data

Single-pump system

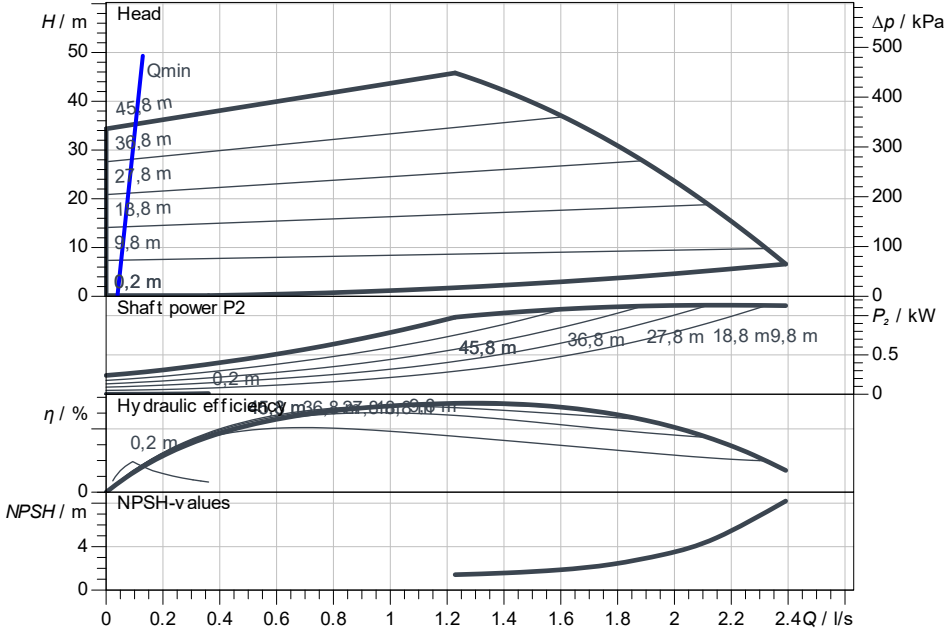
SiBoost2.0 Smart 1 Helix VE 405-HS

Project ID Untitled project 2025-03-04 05:18:48.548

Project name
Installation location
Customer pos. No.

Date 2025-03-04

Duty chart



Requested data

Flow	
Head	
Media	Water 100 %
Fluid temperature	20.00 °C
Density	998.30 kg/m ³
Kin. viscosity	1.00 mm ² /s

Hydraulic data (Duty point)

Flow	
Head	
Shaft power P ₂	

Product data

Single-pump system	
SiBoost2.0 Smart 1 Helix VE 405-HS	
Control	With frequency converter
No. of pumps	1
Max. operating pressure	1,600 kPa
Inlet pressure max.	10 bar
Fluid temperature	3 °C ... +50 °C
Max. ambient temperature	50 °C
Protection class motor	IP55
Protection class of switchgear	IP55
Diaphragm pressure vessel	Yes
Low-water cut-out switchgear	Yes

Motordata per Motor/Pump

Motor efficiency level	IE5
Mains connection	3~ 400 V / 50 Hz
Permitted voltage tolerance	400/50: +/- 10%, 380/6
Max. speed	
Rated power P ₂	1.10 kW
Rated current	2.00 A

Efficiency	50% / 75% / 100%	0/0/93.9%
Insulation class		F
Motor protection		Yes

Fitting dimensions

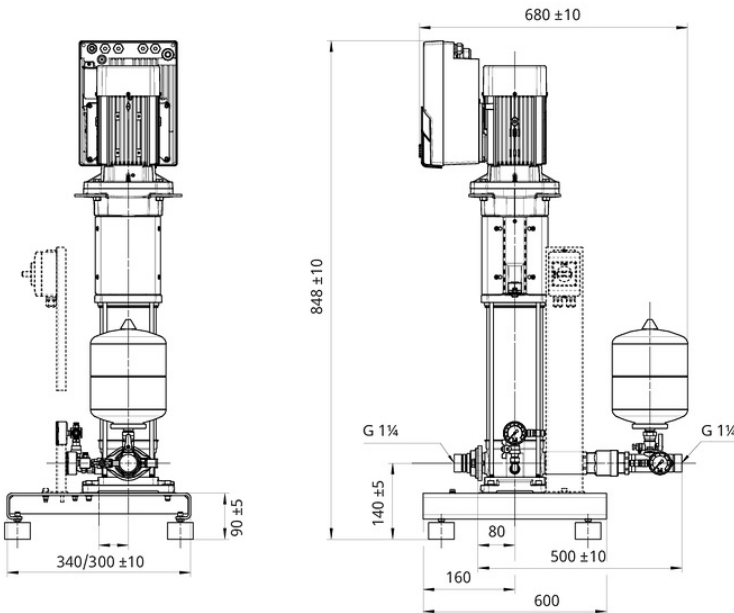
Pipe connection on the suction side	G 1 1/4, PN 10
Pipe connection (pressure side)	G 1 1/4, PN 16

Materials

Pump housing	1.4301
Impeller	1.4307
Shaft	1.4301
Shaft seal	BQ7EGG
Gasket material	EPDM
Pipework material	1.4307

Information for order placements

Weight approx.	50 kg
Item number	4258691



Dimensions mm

Contact
E-mail
Phone

Customer

Contact
E-mail
Phone

Dimensions

Single-pump system

SiBoost2.0 Smart 1 Helix VE 405-HS

Project ID

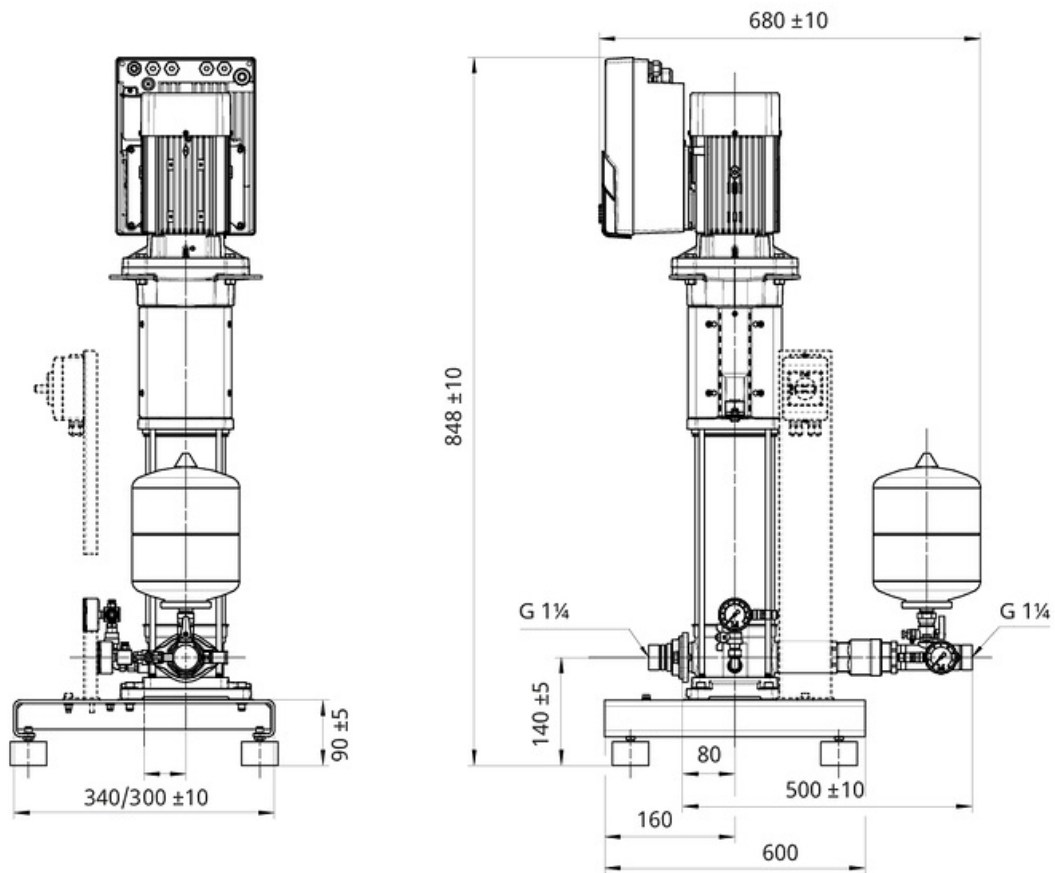
Untitled project 2025-03-04 05:18:48.548

Project name

Installation location

Customer pos. No.

Date 2025-03-04



Standard

Suction side G 1 1/4, PN 10/PN 16

Discharge side G 1 1/4, PN 10/PN 16

Dimensions mm

Name	Value	Name	Value	Name	Value	Name	Value
------	-------	------	-------	------	-------	------	-------