

**Customer**

## Technical data

### Submersible pump

### Sub TWU 4.04-09-EM-C-PnP/FC

Project ID

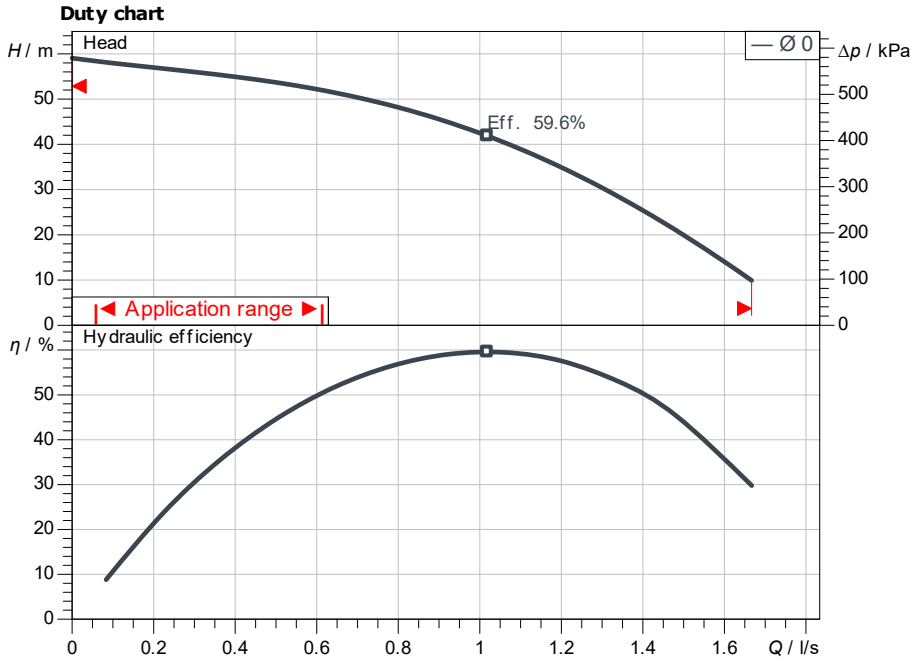
Untitled project 2025-03-17 08:16:17.345

Project name

Installation location

Customer pos. No.

Date 2025-03-17



#### Requested data

Flow	
Head	
Media	Water 100 %
Fluid temperature	20.00 °C
Density	998.30 kg/m <sup>3</sup>
Kin. viscosity	1.00 mm <sup>2</sup> /s

#### Hydraulic data (Duty point)

Flow	
Head	
Shaft power P2	
Hydraulic efficiency	
Power input P1	

#### Product data

Submersible pump	
Sub TWU 4.04-09-EM-C-PnP/FC	
Max. operating pressure	650 kPa
Fluid temperature	3 °C ... +35 °C
Minimum efficiency index (MEI)	≥ 0.7
Max. pump diameter	98 mm

#### Motordata per Motor/Pump

Mains connection	1~ 230 V / 50 Hz
Type of motor	Submersible motor
Activation type	Direct On Line (DOL)
Min. flow at the motor	0.08 m/s
Motor diameter	98 mm
Permitted voltage tolerance	+5 %
Nominal speed	2,869 1/min
Rated power P2	0.75 kW
Rated current	5.90 A
Power factor	0.92
Degree of protection	IP68
Insulation class	B

#### Cable

Length of connecting cable	30 m
Cable type	4G1,5

#### Fitting dimensions

Discharge size	Rp 1 1/4
Flange standard	-

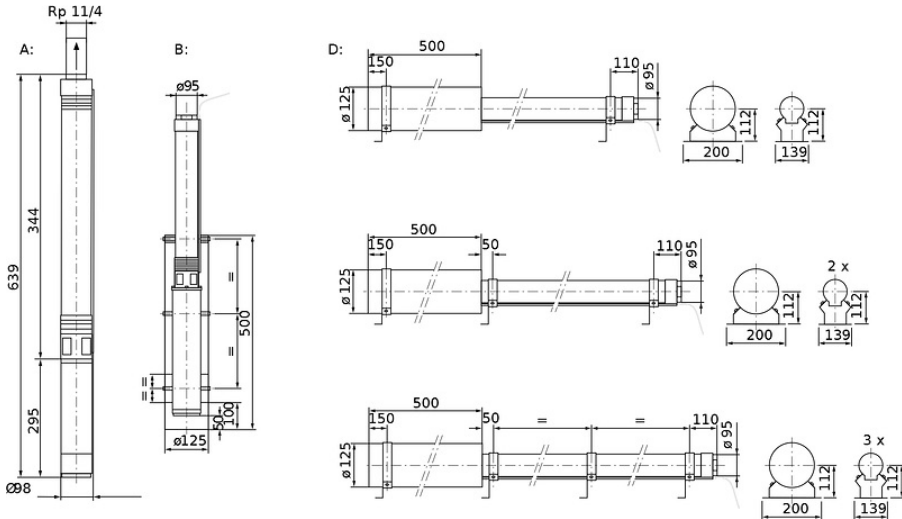
#### Materials

Pump housing	1.4301
Motor housing	1.4301
Shaft	1.4104
Impeller	PPE

#### Information for order placements

Weight approx.	13.9 kg
Item number	6049387

#### Approval



#### Dimensions

mm