

Customer

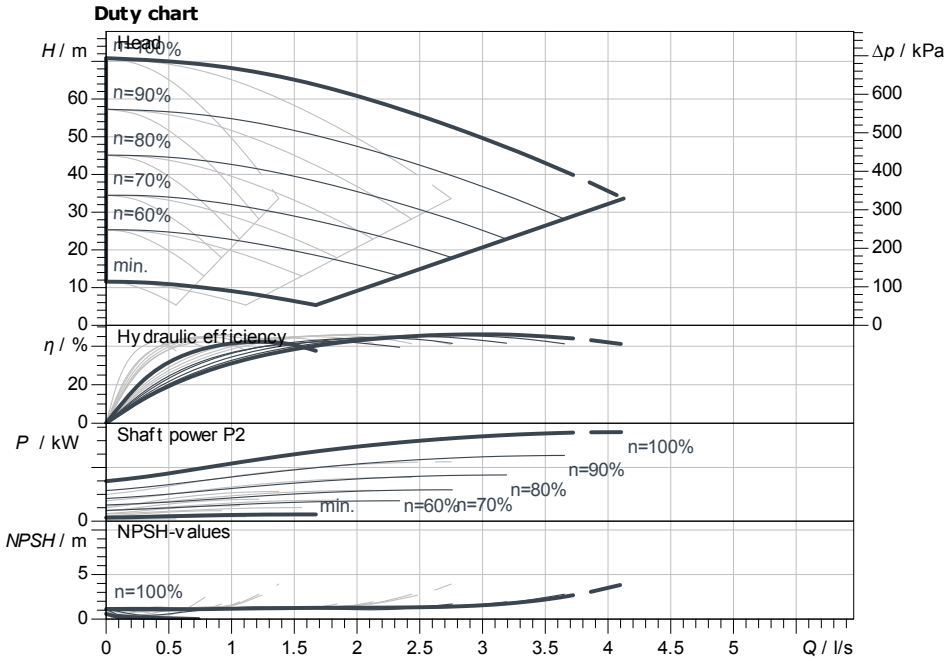
Technical data

Multi-pump system COR 3 MHIE 205/SCe DM

Project ID: Untitled project 2025-03-02 21:36:12.726

Project name
Installation location
Customer pos. No.

Date: 2025-03-02



Requested data

Flow
Head
Media: Water 100 %
Fluid temperature: 20.00 °C
Density: 998.30 kg/m³
Kin. viscosity: 1.00 mm²/s

Hydraulic data (Duty point)

Flow
Head
Shaft power P2

Product data

Multi-pump system
COR 3 MHIE 205/SCe DM
Control: With frequency converter
No. of pumps: 3
Max. operating pressure: 1,000 kPa
Inlet pressure max.: 6 bar
Fluid temperature: 3 °C ... +50 °C
Max. ambient temperature: 40 °C
Diaphragm pressure vessel: Yes
Low-water cut-out switchgear: Yes

Control

Mains connection: 3~ 380/400 V
50, 60 Hz
Protection class of switchgear: IP54

Motordata per Motor/Pump

Motor efficiency level: IE3
Rated power P2: 1.10 kW
Rated current: 3.30 A
Efficiency: 50% / 75% / 100% → 76.5/77/84%
Protection class motor: IP54
Insulation class: F
Motor protection: Yes

Fitting dimensions

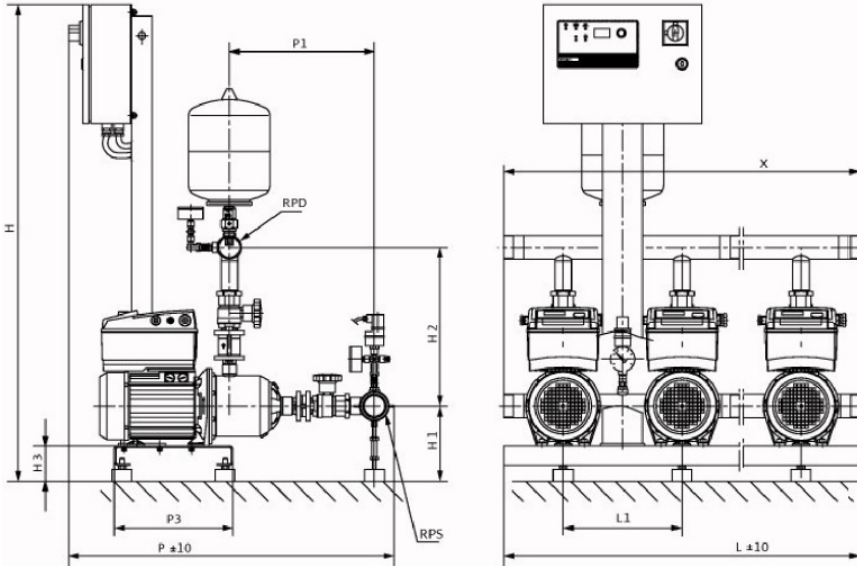
Pipe connection on the suction side: R 2, PN 6
Pipe connection (pressure side): R 2, PN 10

Materials

Pump housing: 1.4404
Impeller: 1.4301
Shaft: 1.4301
Shaft seal: BQ1E3GG
Gasket material: EPDM
Pipework material: 1.4404

Information for order placements

Weight approx.: 112 kg
Item number: 29992348



Dimensions mm

DNd	R 2, PN 1	H3	90	P	825
DNs	R 2, PN 6	HS	400	P1	366
H	1,203	L	900	P3	300
H1	180	L1	300	X	900
H2	400	LS	400		

