

Customer

Technical data

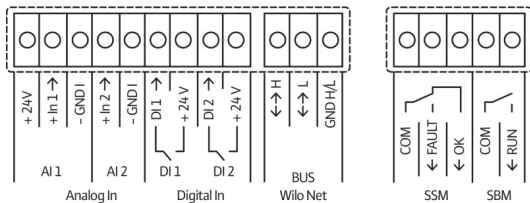
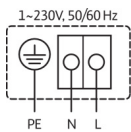
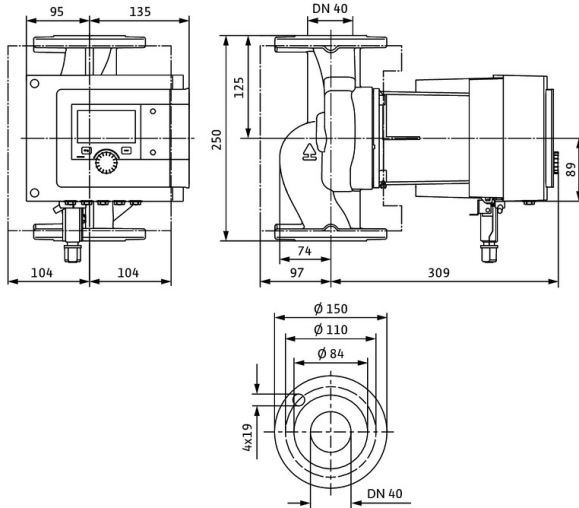
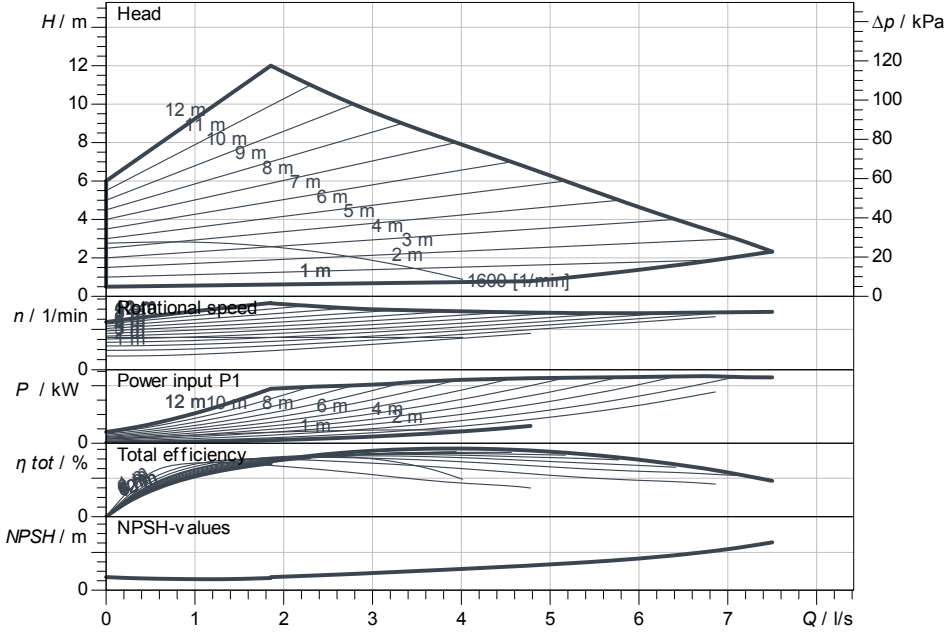
Glandless premium smart-pump Stratos MAXO-Z 40/0,5-12 PN6/10

Project ID Untitled project 2025-03-04 09:37:01.987

Project name
Installation location
Customer pos. No.

Date 2025-03-04

Duty chart



Requested data

Flow	
Head	
Media	Water 100 %
Fluid temperature	20.00 °C
Density	998.30 kg/m ³
Kin. viscosity	1.00 mm ² /s

Hydraulic data (Duty point)

Flow	
Head	
Power input P1	

Product data

Glandless premium smart-pump Stratos MAXO-Z 40/0,5-12 PN6/10	
Kind of operation	dp-v
Max. operating pressure	1,000 kPa
Fluid temperature	0 °C ... +80 °C
Max. ambient temperature	40 °C
Minimum suction head at	5 / 95 / 110 °C
Max. permitted total hardness in	3.57 mmol/l (20°dH)
potable water circulation systems	

Motordata per Motor/Pump

Energy efficiency index (EEI)	≤ 0.17
Mains connection	1~230 V / 50 Hz
Permitted voltage tolerance	+10 %
Max. speed	
Rated power P2	0.48 kW
Power input P1(max)	0.57 kW
Current consumption	2.49 A
Degree of protection	IPX4D
Insulation class	F
Motor protection	Internal protection over

Fitting dimensions

Pipe connection on the suction side	DN 40, PN 6/10
Pipe connection (pressure side)	DN 40, PN 6/10
Port to Port	250 mm

Materials

Pump housing	1.4408
Impeller	PPS-GF40
Shaft	1.4122, DLC-coated
Bearing	Carbon-graphite

Information for order placements

Weight approx.	17.4 kg
Item number	2164675