

Customer

Technical data

Multi-pump system

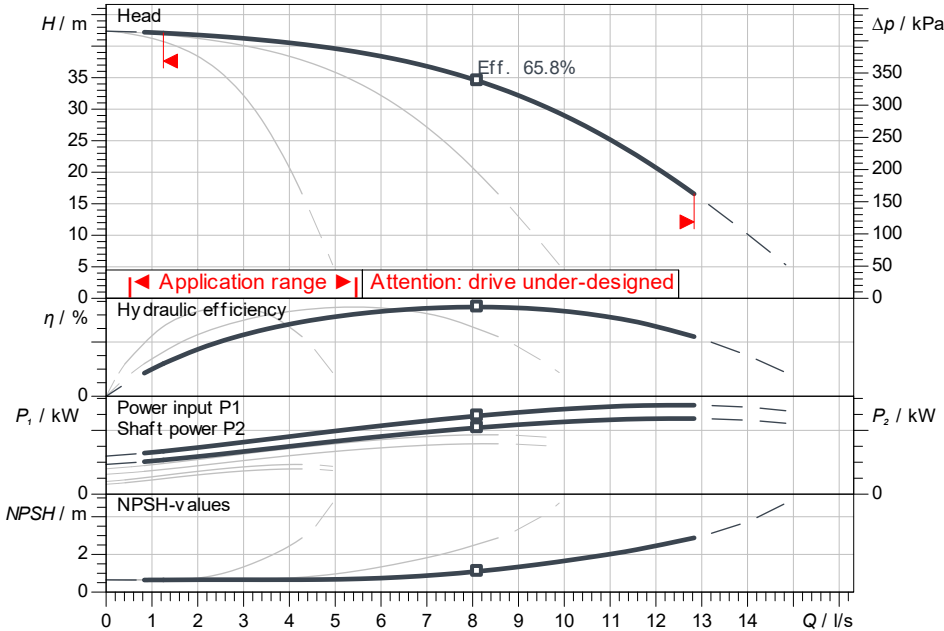
SiBoost Smart FC 3 Helix V 1004

Project ID: Untitled project 2025-03-04 01:04:54.425

Project name
Installation location
Customer pos. No.

Date: 2025-03-04

Duty chart



Requested data

Flow	
Head	
Media	Water 100 %
Fluid temperature	20.00 °C
Density	998.30 kg/m ³
Kin. viscosity	1.00 mm ² /s

Hydraulic data (Duty point)

Flow	
Head	
Shaft power P2	

Product data

Multi-pump system
SiBoost Smart FC 3 Helix V 1004

No. of pumps	3
Max. operating pressure	1,600 kPa
Inlet pressure max.	600
Fluid temperature	3 °C ... +50 °C
Max. ambient temperature	40 °C
Protection class system	IP55
Protection class of switchgear	IP54
Diaphragm pressure vessel	Yes
Low-water cut-out switchgear	No

Motordata per Motor/Pump

Motor efficiency level	IE3
Mains connection	3~ 400 V / 50 Hz
Permitted voltage tolerance	+/-10 %
Rated speed	2,900 1/min
Rated power P2	1.50 kW
Rated current	3.00 A
Power factor	0.85
Efficiency	
50% / 75% / 100%	80.9/83.8/84.2%
Degree of protection	IP55
Insulation class	F
Motor protection	Yes

Fitting dimensions

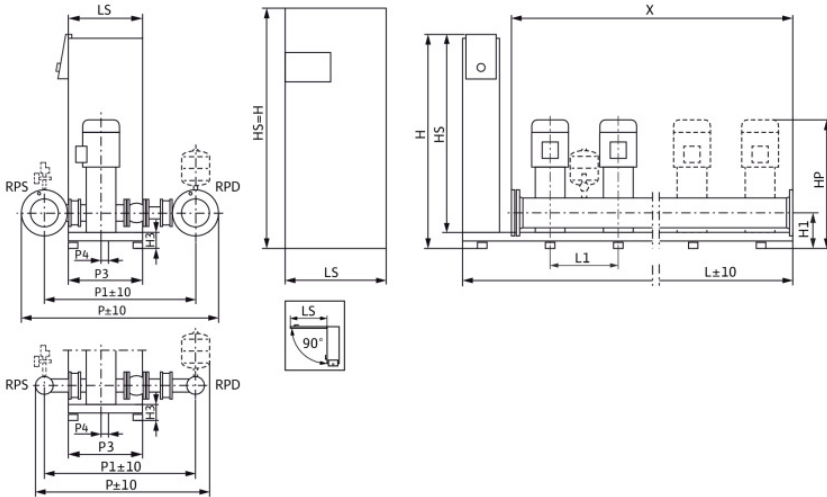
Pipe connection on the suction side R 2½, PN 10
Pipe connection (pressure side) R 2½, PN 16

Materials

Pump housing	1.4301
Impeller	1.4307
Shaft	1.4301
Shaft seal	Q1BE3GG
Gasket material	EPDM
Pipework material	1.4307

Information for order placements

Weight approx.	249 kg
Item number	2536129



Dimensions

mm

DNd	R 2½, PN H3	90	LS	250	X	900
DNs	R 2½, PN HP	821	P	845		
H	1,405	HS	1,300	P1	704	
H1	170	L	1,250	P3	420	
H2	288	L1	300	P4	30	

Contact
E-mail
Phone

Customer

Contact
E-mail
Phone

Dimensions

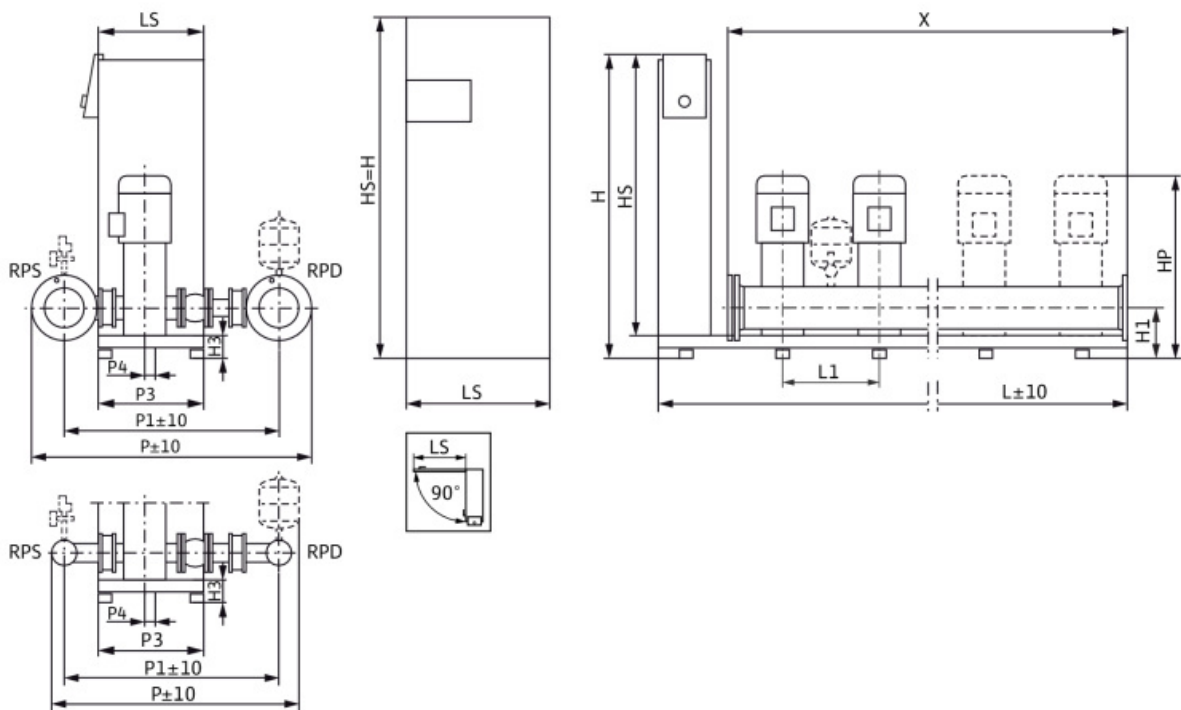
Multi-pump system

SiBoost Smart FC 3 Helix V 1004

Project ID Untitled project 2025-03-04 01:04:54.425

Project name
Installation location
Customer pos. No.

Date 2025-03-04



Standard

Suction side R 2½, PN 10/PN 16
Discharge side R 2½, PN 10/PN 16

Dimensions mm

Name	Value	Name	Value	Name	Value	Name	Value
DNd	R 2½, PN 16	HS	1,300	P4	30		
DNs	R 2½, PN 10	L	1,250	X	900		
H	1,405	L1	300				
H1	170	LS	250				
H2	288	P	845				
H3	90	P1	704				
HP	821	P3	420				