

Contact
E-mail
Phone

Customer

Contact
E-mail
Phone

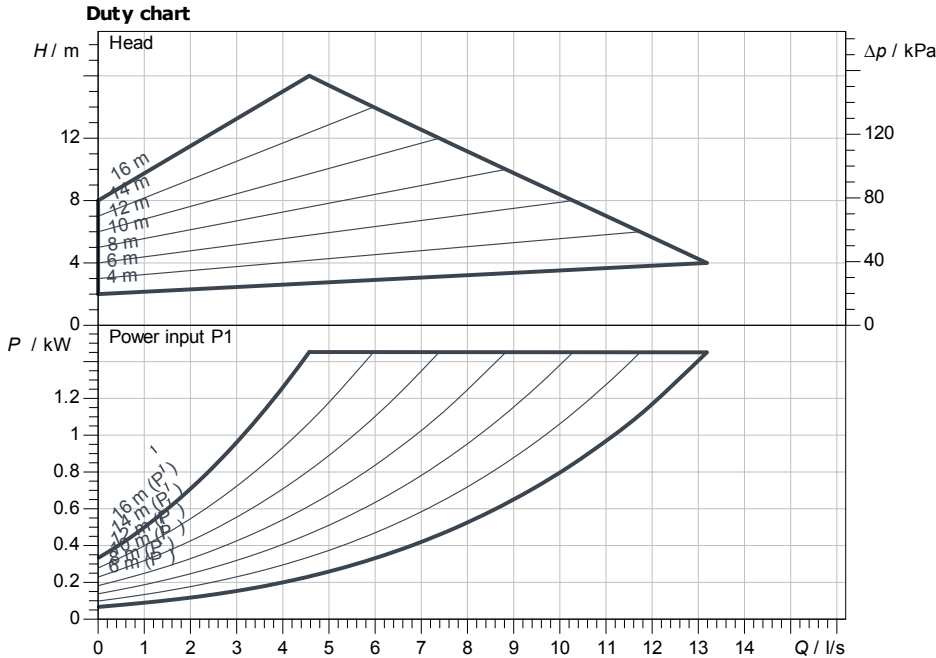
Technical data

Glandless standard high-efficiency pump Yonos MAXO-D 65/0,5-16 PN6/10

Project ID Untitled project 2025-03-04 09:37:01.987

Project name
Installation location
Customer pos. No.

Date 2025-03-04



Requested data

Flow
Head
Media Water 100 %
Fluid temperature 20.00 °C
Density 998.30 kg/m³
Kin. viscosity 1.00 mm²/s

Hydraulic data (Duty point)

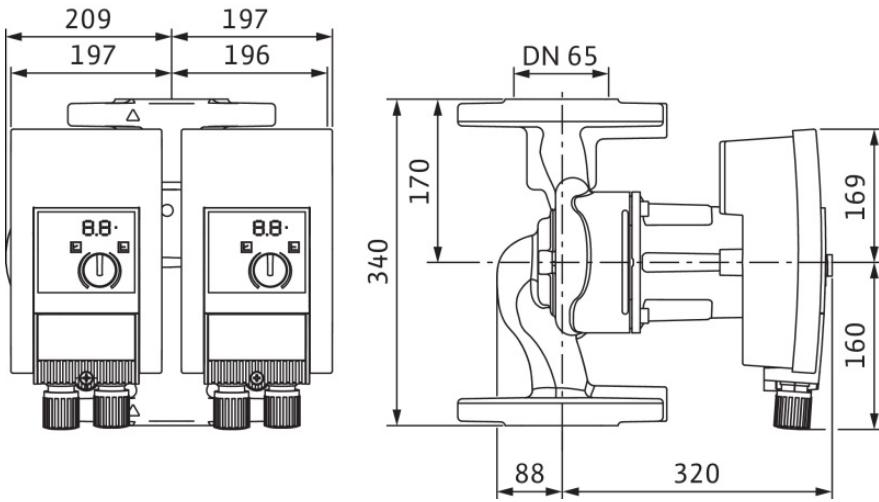
Flow
Head
Power input P1

Product data

Glandless standard high-efficiency pump
Yonos MAXO-D 65/0,5-16 PN6/10
Kind of operation dp-v
Max. operating pressure 1,000 kPa
Fluid temperature -20 °C ... +110 °C
Max. ambient temperature 40 °C
Minimum suction head at 50 / 95 / 110°C 7 / 15 / 23

Motordata per Motor/Pump

Motor design EC motor
Energy efficiency index (EEI) ≤ 0.23
Mains connection 1~ 230 V / 50 Hz
Permitted voltage tolerance +-10 %
Max. speed 3,400 1/min
Power input P1 1.45 kW
Current consumption 6.4 A
Degree of protection IPX4D
Insulation class F
Motor protection Internal protection over
Electromagnetic compatibility
Emitted interference EN 61800-3;2004+A1
Interference resistance EN 61800-3;2004+A1
Threaded cable connection 2 x M20x1.5



Fitting dimensions

Pipe connection on the suction side DN 65, PN 6/10
Pipe connection (pressure side) DN 65, PN 6/10
Port to Port 340 mm

Materials

Pump housing 5.1301/EN-GJL-250
Impeller PP-LGF50
Shaft 1.4028
Bearing Carbon, metal-impregnated

Information for order placements

Weight approx. 50.2 kg
Item number 2120671

