

**Customer**

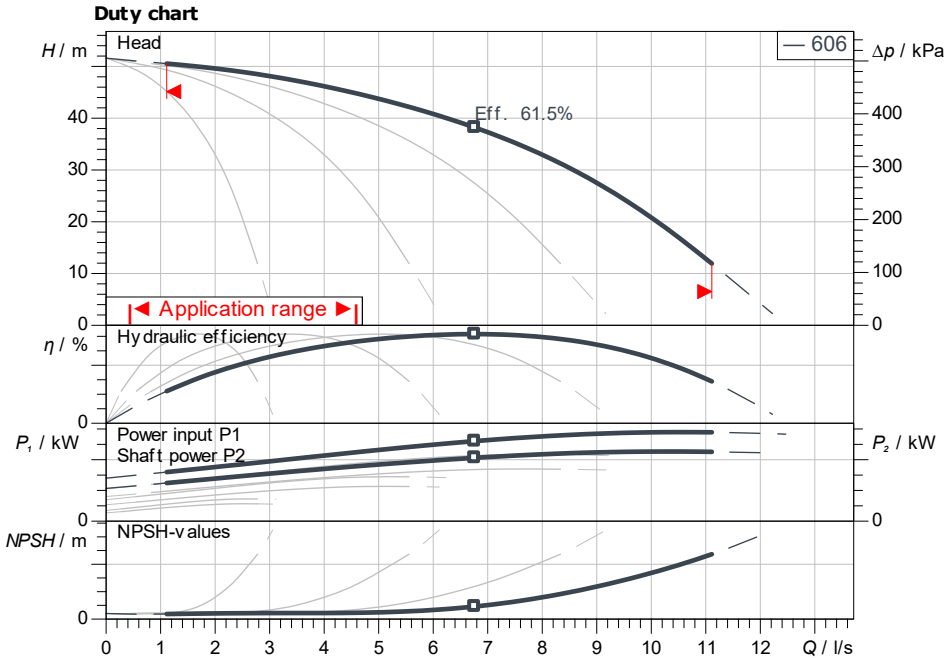
# Technical data

## Multi-pump system SiBoost Smart 4 Helix V 606

Project ID: Untitled project 2025-03-04 01:04:54.425

Project name  
Installation location  
Customer pos. No.

Date: 2025-03-04



**Requested data**

Flow  
Head  
Media: Water 100 %  
Fluid temperature: 20.00 °C  
Density: 998.30 kg/m<sup>3</sup>  
Kin. viscosity: 1.00 mm<sup>2</sup>/s

**Hydraulic data (Duty point)**

Flow  
Head  
Shaft power P2

**Product data**

Multi-pump system  
SiBoost Smart 4 Helix V 606

No. of pumps: 4  
 Max. operating pressure: 1,600 kPa  
 Inlet pressure max.: 600  
 Fluid temperature: 3 °C ... +50 °C  
 Max. ambient temperature: 40 °C  
 Protection class system: IP55  
 Protection class of switchgear: IP54  
 Diaphragm pressure vessel: Yes  
 Low-water cut-out switchgear: No

**Motordata per Motor/Pump**

Motor efficiency level: IE3  
 Mains connection: 3~ 400 V / 50 Hz  
 Permitted voltage tolerance: +-10 %  
 Rated speed: 2,900 1/min  
 Rated power P2: 1.10 kW  
 Rated current: 2.50 A  
 Power factor: 0.8  
 Efficiency: 50% / 75% / 100%  
 Degree of protection: IP55  
 Insulation class: F  
 Motor protection: Yes

**Fitting dimensions**

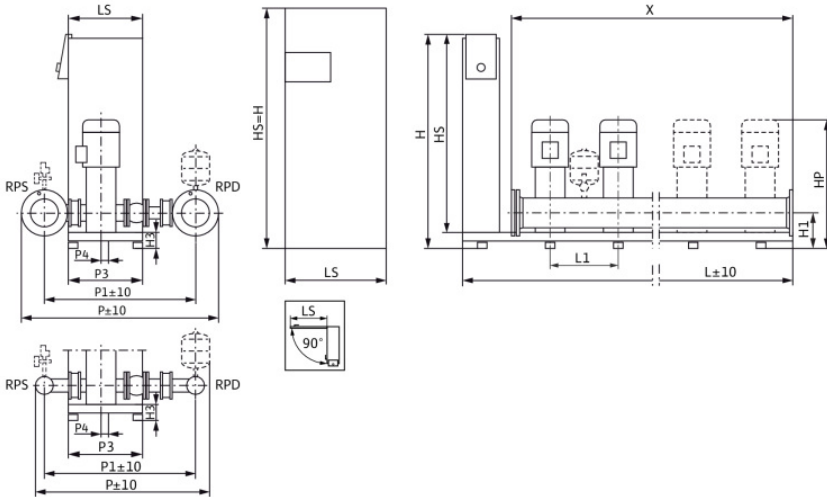
Pipe connection on the suction side: R 2½, PN 10  
 Pipe connection (pressure side): R 2½, PN 16

**Materials**

Pump housing: 1.4301  
 Impeller: 1.4307  
 Shaft: 1.4301  
 Shaft seal: Q1BE3GG  
 Gasket material: EPDM  
 Pipework material: 1.4307

**Information for order placements**

Weight approx.: 237 kg  
 Item number: 2536022



Dimensions		mm					
DNd	R 2½, PN H3	90	LS	150	X	1,200	
DNs	R 2½, PN HP	880	P	722			
H	1,055	HS	950	P1	589		
H1	140	L	1,450	P3	420		
H2	258	L1	300	P4	30		

Contact  
E-mail  
Phone

**Customer**

Contact  
E-mail  
Phone

## Dimensions

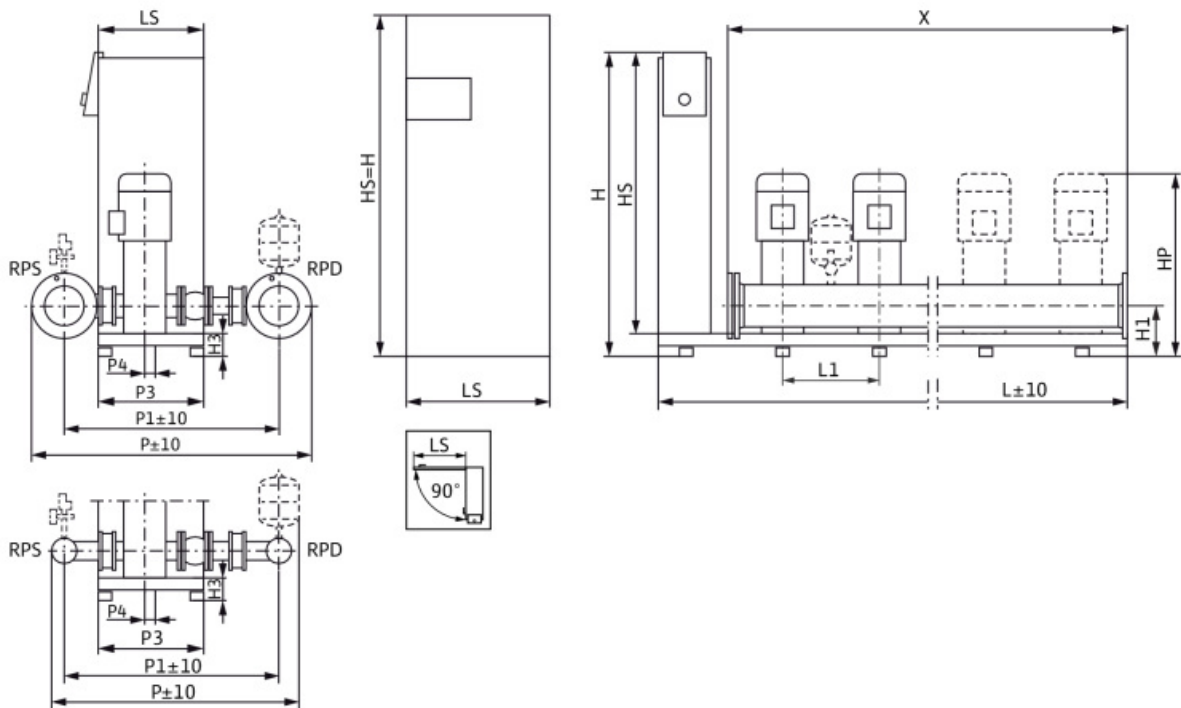
### Multi-pump system

#### SiBoost Smart 4 Helix V 606

Project ID                      Untitled project 2025-03-04 01:04:54.425

Project name  
Installation location  
Customer pos. No.

Date                      2025-03-04



**Standard**

Suction side                      R 2 ½, PN 10/PN 16  
Discharge side                      R 2 ½, PN 10/PN 16

**Dimensions**                      mm

Name	Value	Name	Value	Name	Value	Name	Value
DNd	R 2 ½, PN 16	HS	950	P4	30		
DNs	R 2 ½, PN 10	L	1,450	X	1,200		
H	1,055	L1	300				
H1	140	LS	150				
H2	258	P	722				
H3	90	P1	589				
HP	880	P3	420				