

Customer

Technical data

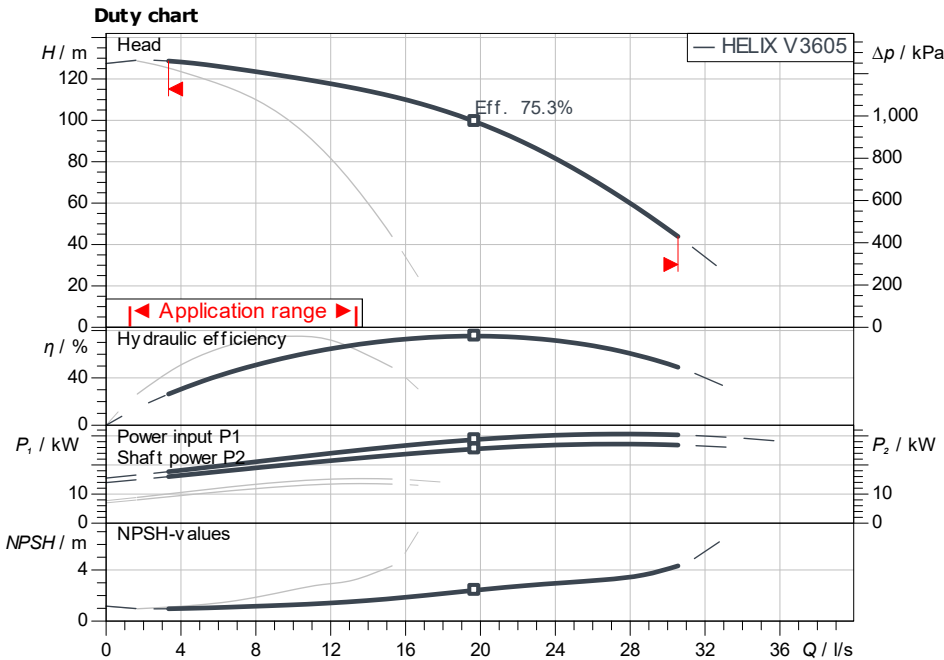
Multi-pump system

SiBoost Smart FC 2 Helix V 3605

Project ID: Untitled project 2025-03-04 01:04:54.425

Project name
Installation location
Customer pos. No.

Date: 2025-03-04



Requested data

Flow	
Head	
Media	Water 100 %
Fluid temperature	20.00 °C
Density	998.30 kg/m ³
Kin. viscosity	1.00 mm ² /s

Hydraulic data (Duty point)

Flow	
Head	
Shaft power P_2	

Product data

Multi-pump system
SiBoost Smart FC 2 Helix V 3605

No. of pumps	2
Max. operating pressure	1,600 kPa
Inlet pressure max.	1,000
Fluid temperature	3 °C ... +50 °C
Max. ambient temperature	40 °C
Protection class system	IP55
Protection class of switchgear	IP54
Diaphragm pressure vessel	Yes
Low-water cut-out switchgear	No

Motordata per Motor/Pump

Motor efficiency level	IE3
Mains connection	3~ 400 V / 50 Hz
Permitted voltage tolerance	+/- 10 %
Rated speed	2,900 1/min
Rated power P_2	15.00 kW
Rated current	26.70 A
Power factor	0.88
Efficiency	
50% / 75% / 100%	90.2/91.8/91.9%
Degree of protection	IP55
Insulation class	F
Motor protection	Yes

Fitting dimensions

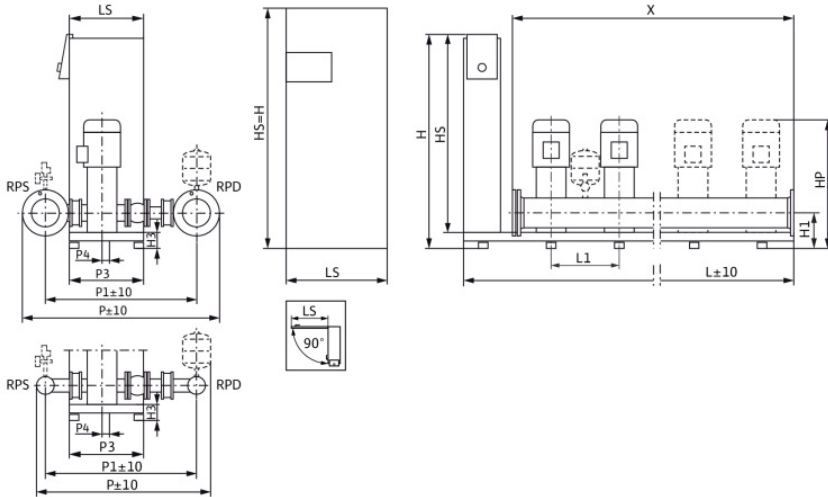
Pipe connection on the suction side DN 100, PN 10
Pipe connection (pressure side) DN 100, PN 16

Materials

Pump housing	5.1301/EN-GJL-250
Impeller	1.4307
Shaft	1.4057
Shaft seal	Q1BE3GG
Gasket material	EPDM
Pipework material	1.4307

Information for order placements

Weight approx.	683 kg
Item number	2540796



Dimensions

mm

DNd	DN 100,	H3	125	LS	800	X	1,000
DNs	DN 100,	HP	1,486	P	1,251		
H	1,900	HS	1,900	P1	1,031		
H1	230	L	1,080	P3	500		
H2	367.2	L1	500	P4	0		

Contact
E-mail
Phone

Customer

Contact
E-mail
Phone

Dimensions

Multi-pump system

SiBoost Smart FC 2 Helix V 3605

Project ID Untitled project 2025-03-04 01:04:54.425

Project name
Installation location
Customer pos. No.

Date 2025-03-04



Standard

Suction side DN 100, PN 10/PN 16
Discharge side DN 100, PN 10/PN 16

Dimensions mm

Name	Value	Name	Value	Name	Value	Name	Value
DNd	DN 100, PN 16	HS	1,900	P4	0		
DNs	DN 100, PN 10	L	1,080	X	1,000		
H	1,900	L1	500				
H1	230	LS	800				
H2	367.2	P	1,251				
H3	125	P1	1,031				
HP	1,486	P3	500				