

**Customer**

## Technical data

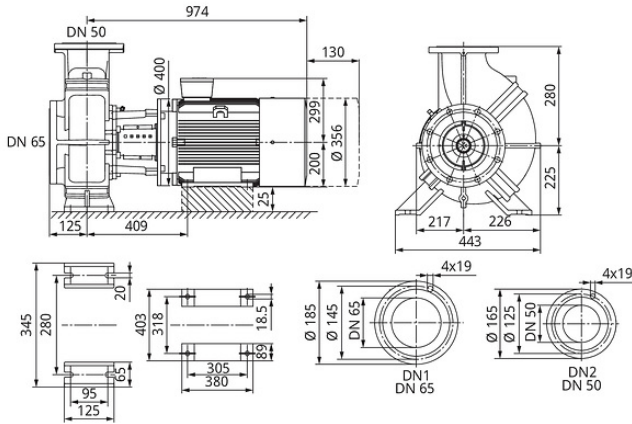
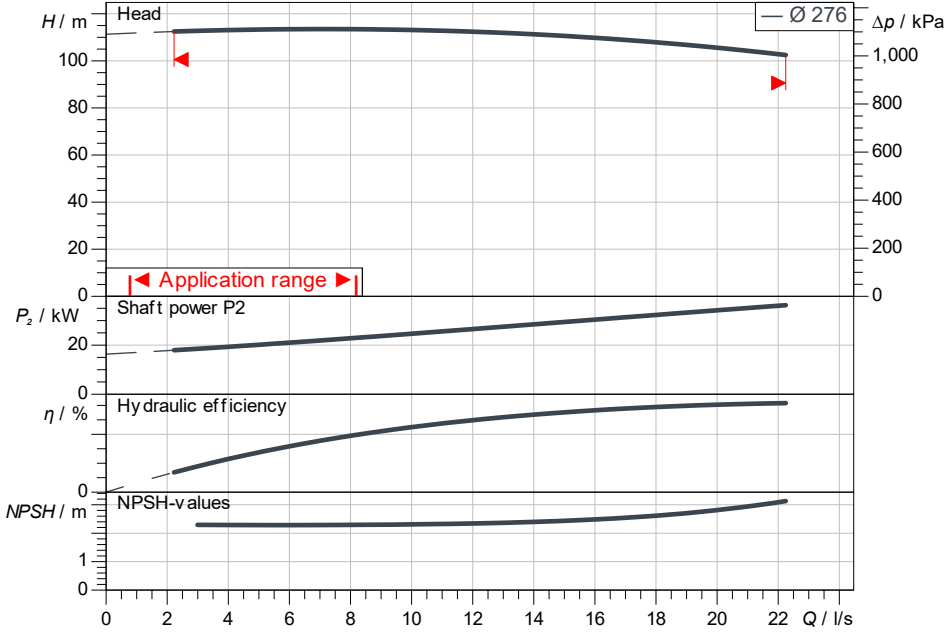
### Glanded monobloc pump Atmos GIGA-B 50/295-37/2

Project ID                      Untitled project 2025-03-01 17:45:51.999

Project name  
Installation location  
Customer pos. No.

Date                      2025-03-01

#### Duty chart



#### Requested data

Flow	
Head	
Media	Water 100 %
Fluid temperature	20.00 °C
Density	998.30 kg/m <sup>3</sup>
Kin. viscosity	1.00 mm <sup>2</sup> /s

#### Hydraulic data (Duty point)

Flow	
Head	
Shaft power P2	
Hydraulic efficiency	
NPSH	

#### Product data

Glanded monobloc pump	
Atmos GIGA-B 50/295-37/2	
Max. operating pressure	1,600 kPa
Fluid temperature	-20 °C ... +140 °C
Max. ambient temperature	40 °C
Minimum efficiency index (MEI)	≥ 0.4

#### Motordata per Motor/Pump

Motor efficiency level	IE3
Mains connection	3~ 400 V / 50 Hz
Permitted voltage tolerance	+/- 10 %
Rated speed	2,900 1/min
Rated power P2	37.00 kW
Rated current	63.50 A
Power factor	0.91
Efficiency	50% / 75% / 100%
	93.7 / 94.1 / 93.7 %
Degree of protection	IP55
Insulation class	F
Motor protection	PTC integrated

#### Fitting dimensions

Pipe connection on the suction side	DN 65, PN 16
Pipe connection (pressure side)	DN 50, PN 16
Port to Port	-

#### Materials

Pump housing	5.1301, EN-GJL-250 cataphoretic-coated
Impeller	EN-GJL-200
Lantern	5.1301/EN-GJL-250
Shaft	1.4122
Shaft seal	AQ1EGG

#### Information for order placements

Weight approx.	413 kg
Item number	2214200

