

Customer

Technical data

Multi-pump system

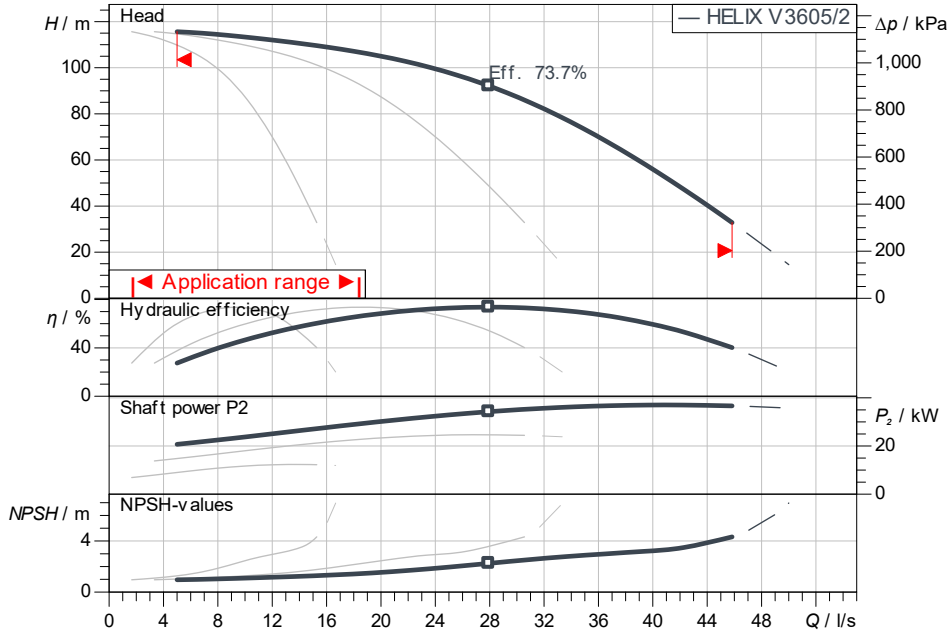
SiBoost Smart 3 Helix V 3605/2

Project ID: Untitled project 2025-03-04 01:04:54.425

Project name
Installation location
Customer pos. No.

Date: 2025-03-04

Duty chart



Requested data

Flow
Head
Media: Water 100 %
Fluid temperature: 20.00 °C
Density: 998.30 kg/m³
Kin. viscosity: 1.00 mm²/s

Hydraulic data (Duty point)

Flow
Head
Shaft power P₂

Product data

Multi-pump system
SiBoost Smart 3 Helix V 3605/2

No. of pumps: 3
Max. operating pressure: 1,600 kPa
Inlet pressure max.: 1,000
Fluid temperature: 3 °C ... +50 °C
Max. ambient temperature: 40 °C
Protection class system: IP55
Protection class of switchgear: IP54
Diaphragm pressure vessel: Yes
Low-water cut-out switchgear: No

Motordata per Motor/Pump

Motor efficiency level: IE3
Mains connection: 3~ 400 V / 50 Hz
Permitted voltage tolerance: +-10 %
Rated speed: 2,900 1/min
Rated power P₂: 15.00 kW
Rated current: 26.70 A
Power factor: 0.88
Efficiency: 50% / 75% / 100%
Degree of protection: IP55
Insulation class: F
Motor protection: Yes

Fitting dimensions

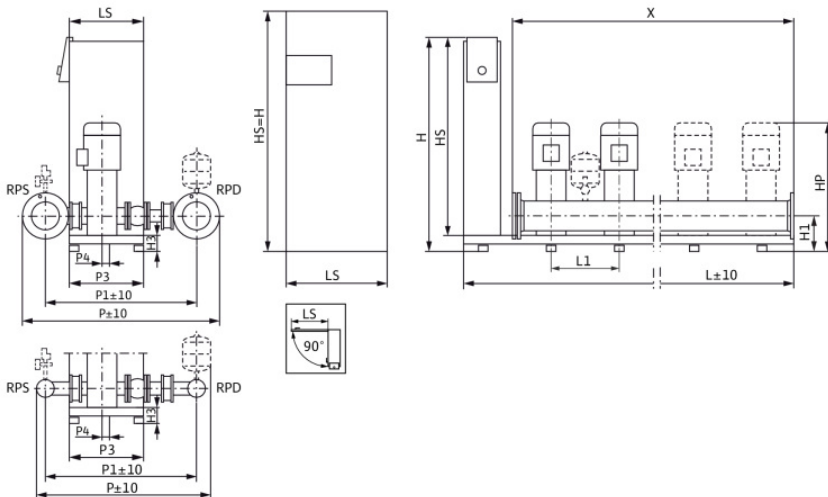
Pipe connection on the suction side: DN 125, PN 10
Pipe connection (pressure side): DN 125, PN 16

Materials

Pump housing: 5.1301/EN-GJL-250
Impeller: 1.4307
Shaft: 1.4057
Shaft seal: Q1BE3GG
Gasket material: EPDM
Pipework material: 1.4307

Information for order placements

Weight approx.: 871 kg
Item number: 2540775



Dimensions

mm

DNd	DN 125,	H3	125	LS	600	X	1,500
DNs	DN 125,	HP	1,486	P	1,305		
H	1,900	HS	1,900	P1	1,057		
H1	230	L	1,580	P3	500		
H2	380	L1	500	P4	0		

Contact
E-mail
Phone

Customer

Contact
E-mail
Phone

Dimensions

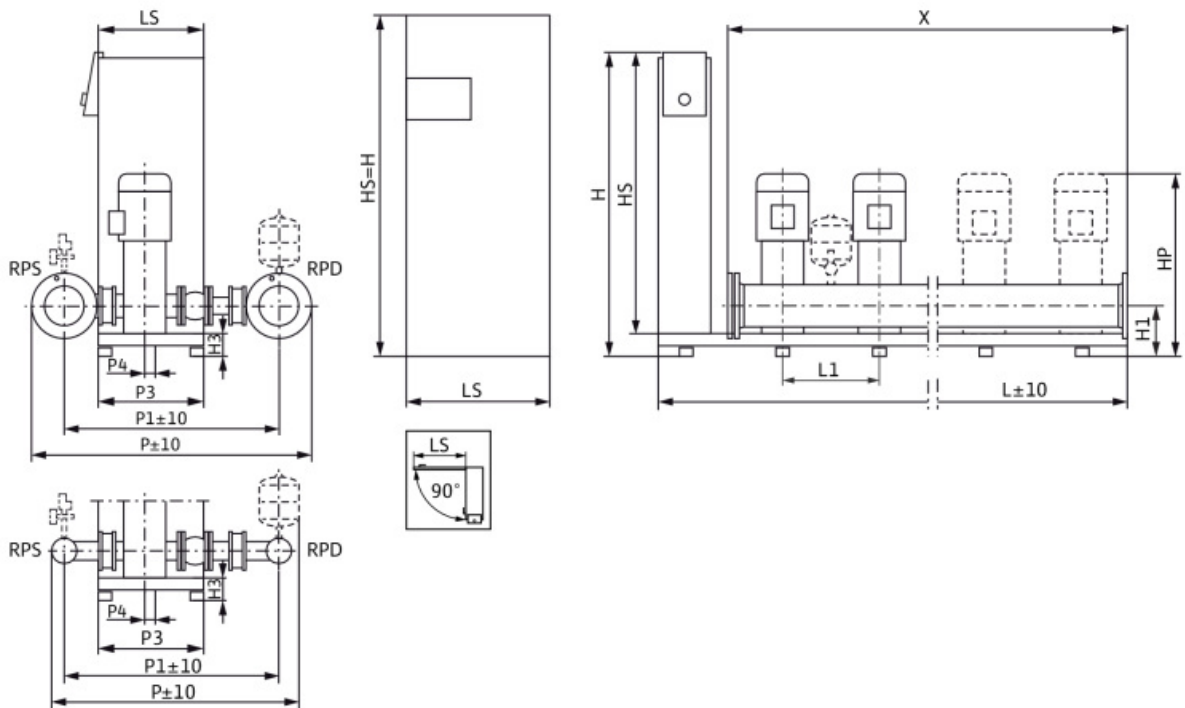
Multi-pump system

SiBoost Smart 3 Helix V 3605/2

Project ID Untitled project 2025-03-04 01:04:54.425

Project name
Installation location
Customer pos. No.

Date 2025-03-04



Standard

Suction side DN 125, PN 10/PN 16
Discharge side DN 125, PN 10/PN 16

Dimensions mm

Name	Value	Name	Value	Name	Value	Name	Value
DNd	DN 125, PN 16	HS	1,900	P4	0		
DNs	DN 125, PN 10	L	1,580	X	1,500		
H	1,900	L1	500				
H1	230	LS	600				
H2	380	P	1,305				
H3	125	P1	1,057				
HP	1,486	P3	500				