

**Customer**

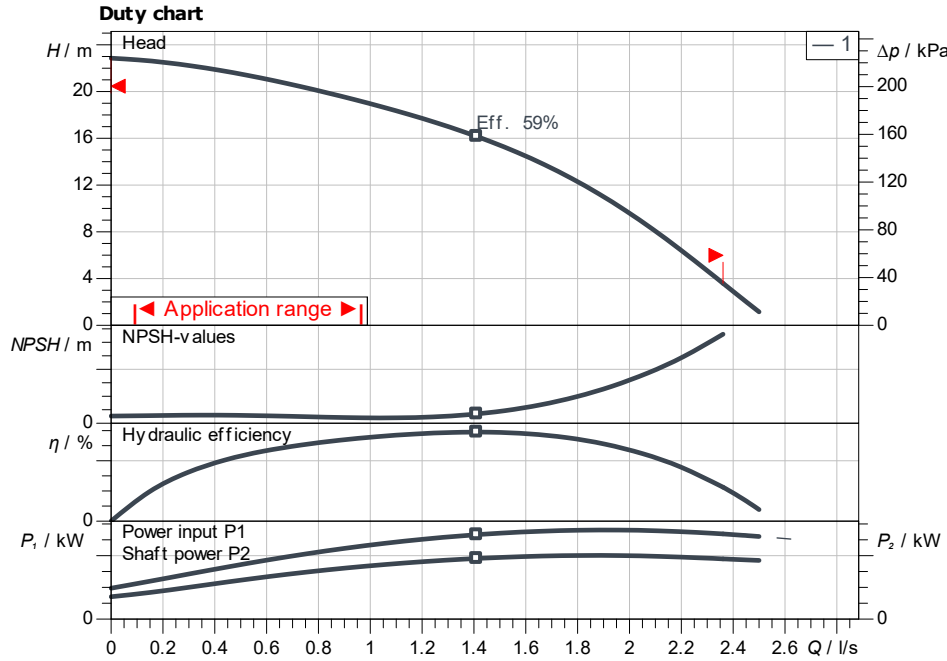
## Technical data

### Non self-priming multistage centrifugal pump MHI 402-1/E/3-400-50-2

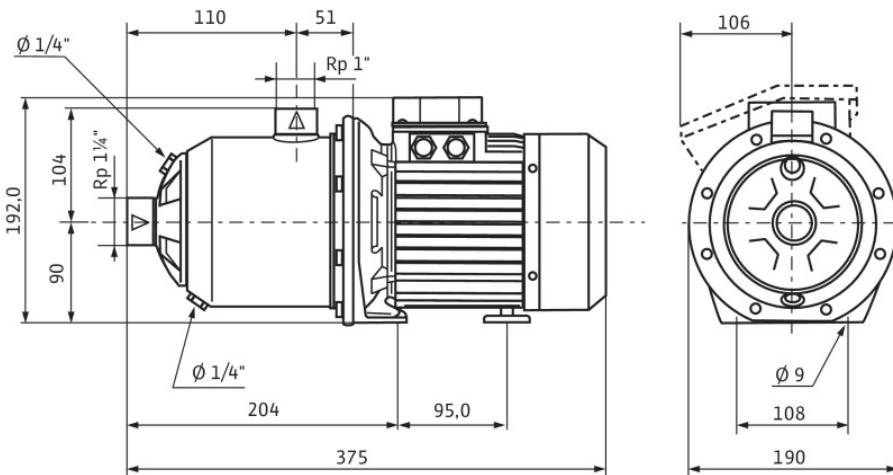
Project ID: Untitled project 2025-03-03 06:59:09.769

Project name  
Installation location  
Customer pos. No.

Date: 2025-03-03



ISO 9906: 2012 3B



**Requested data**

Flow	
Head	
Media	Water 100 %
Fluid temperature	20.00 °C
Density	998.30 kg/m <sup>3</sup>
Kin. viscosity	1.00 mm <sup>2</sup> /s

**Hydraulic data (Duty point)**

Flow	
Head	
Shaft power P2	
Hydraulic efficiency	
NPSH	

**Product data**

Non self-priming multistage centrifugal pump	
MHI 402-1/E/3-400-50-2	
Max. operating pressure	1,000 kPa
Inlet pressure max.	6 bar
Fluid temperature	-15 °C ... +110 °C
Max. ambient temperature	40 °C

**Motordata per Motor/Pump**

Motor efficiency level	IE1
Mains connection	3~ 400 V / 50 Hz
Permitted voltage tolerance	+ -10 %
Max. speed	2,730 1/min
Rated power P2	0.55 kW
Rated current	1.70 A
Power factor	0.77
Efficiency	50% / 75% / 100%
Degree of protection	IP54
Insulation class	F
Motor protection	

**Fitting dimensions**

Pipe connection on the suction side	Rp 1 1/4, PN 10
Pipe connection (pressure side)	Rp 1, PN 10

**Materials**

Pump housing	1.4301
Impeller	1.4301
Shaft	1.4301
Shaft seal	BQ7EGG
Gasket material	EPDM

**Information for order placements**

Weight approx.	8.9 kg
Item number	4024293

**Dimensions** mm