

**Customer**

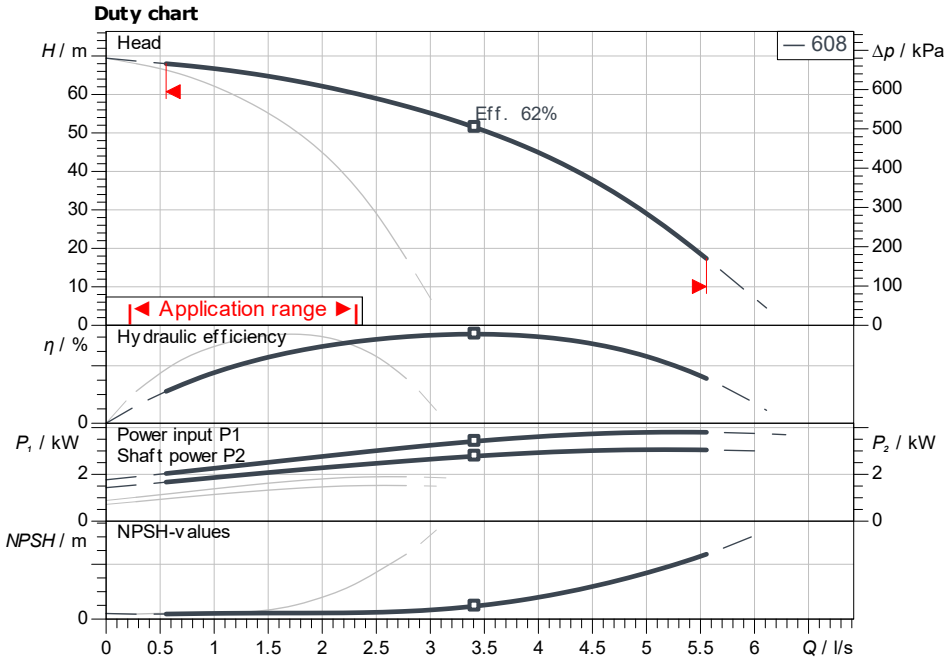
# Technical data

## Multi-pump system SiBoost Smart 2 Helix V 608

Project ID: Untitled project 2025-03-04 01:04:54.425

Project name  
Installation location  
Customer pos. No.

Date: 2025-03-04



**Requested data**

Flow  
Head  
Media: Water 100 %  
Fluid temperature: 20.00 °C  
Density: 998.30 kg/m<sup>3</sup>  
Kin. viscosity: 1.00 mm<sup>2</sup>/s

**Hydraulic data (Duty point)**

Flow  
Head  
Shaft power  $P_2$

**Product data**

Multi-pump system  
SiBoost Smart 2 Helix V 608

No. of pumps: 2  
Max. operating pressure: 1,600 kPa  
Inlet pressure max.: 1,000  
Fluid temperature: 3 °C ... +50 °C  
Max. ambient temperature: 40 °C  
Protection class system: IP55  
Protection class of switchgear: IP54  
Diaphragm pressure vessel: Yes  
Low-water cut-out switchgear: No

**Motordata per Motor/Pump**

Motor efficiency level: IE3  
Mains connection: 3~ 400 V / 50 Hz  
Permitted voltage tolerance: +-10 %  
Rated speed: 2,900 1/min  
Rated power  $P_2$ : 1.50 kW  
Rated current: 3.00 A  
Power factor: 0.85  
Efficiency: 50% / 75% / 100%  
Degree of protection: IP55  
Insulation class: F  
Motor protection: Yes

**Fitting dimensions**

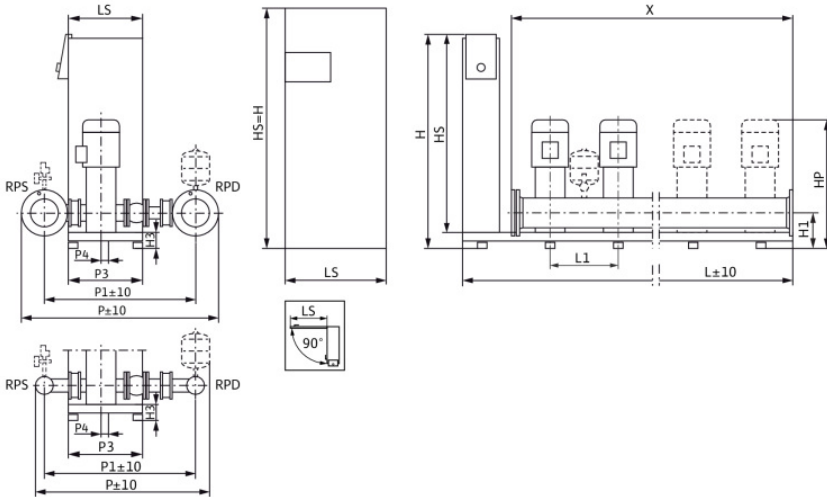
Pipe connection on the suction side: R 2, PN 10  
Pipe connection (pressure side): R 2, PN 16

**Materials**

Pump housing: 1.4301  
Impeller: 1.4307  
Shaft: 1.4301  
Shaft seal: Q1BE3GG  
Gasket material: EPDM  
Pipework material: 1.4307

**Information for order placements**

Weight approx.: 155 kg  
Item number: 2535996



**Dimensions**

mm

DNd	R 2, PN 1	H3	90	LS	150	X	600
DNs	R 2, PN 1	HP	988	P	706		
H	1,055	HS	950	P1	573		
H1	140	L	850	P3	420		
H2	250.2	L1	300	P4	30		

Contact  
E-mail  
Phone

**Customer**

Contact  
E-mail  
Phone

## Dimensions

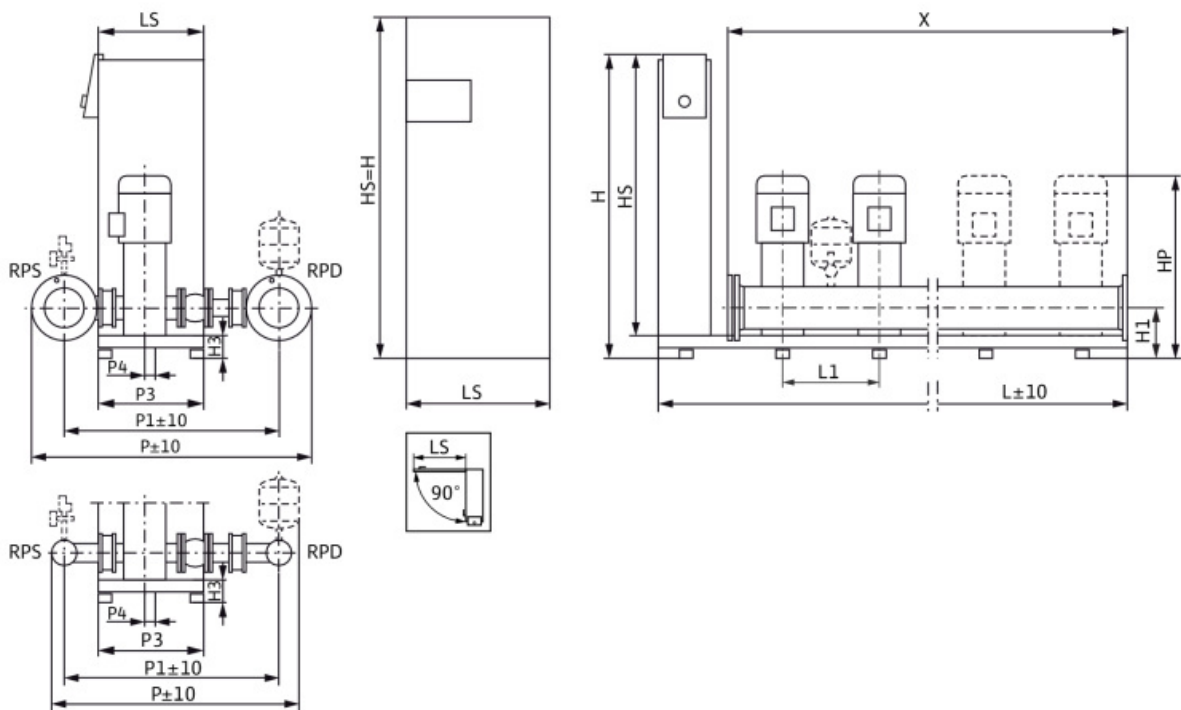
### Multi-pump system

#### SiBoost Smart 2 Helix V 608

Project ID                      Untitled project 2025-03-04 01:04:54.425

Project name  
Installation location  
Customer pos. No.

Date                      2025-03-04



**Standard**

Suction side                      R 2, PN 10/PN 16  
Discharge side                      R 2, PN 10/PN 16

**Dimensions**                      mm

Name	Value	Name	Value	Name	Value	Name	Value
DNd	R 2, PN 16	HS	950	P4	30		
DNs	R 2, PN 10	L	850	X	600		
H	1,055	L1	300				
H1	140	LS	150				
H2	250.2	P	706				
H3	90	P1	573				
HP	988	P3	420				