

**Customer**

# Technical data

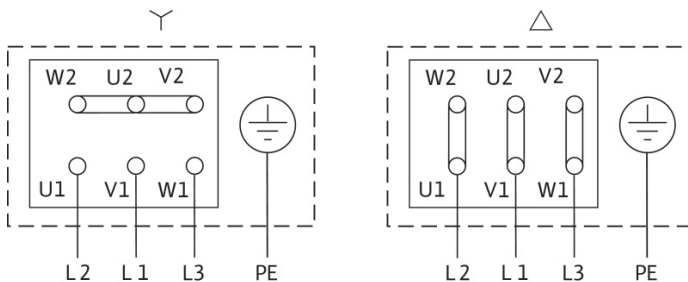
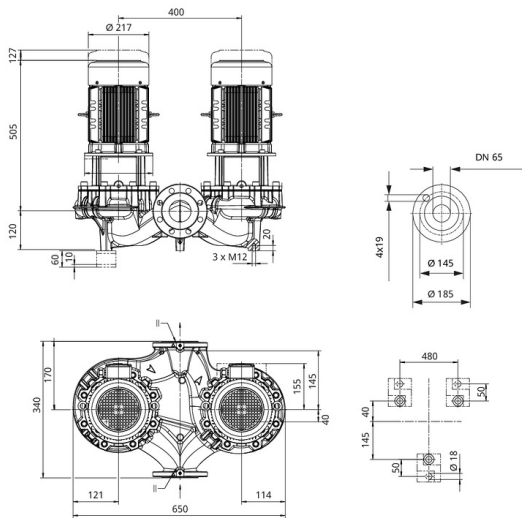
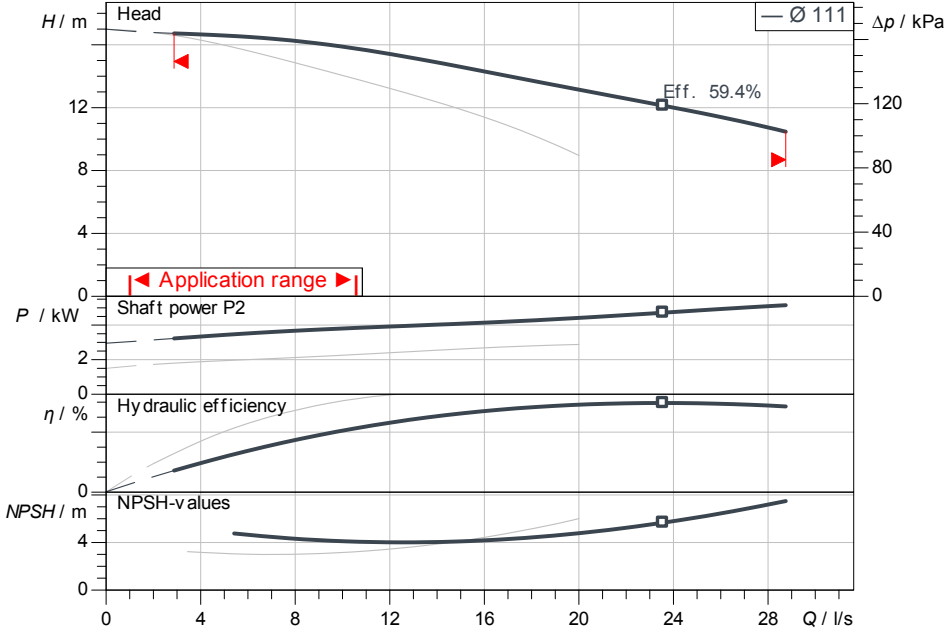
## Glanded standard twin-head pump Atmos GIGA-D 65/95-3/2

Project ID                      Untitled project 2025-03-01 18:38:40.590

Project name  
Installation location  
Customer pos. No.

Date                      2025-03-01

**Duty chart**



**Requested data**

Flow	
Head	
Media	Water 100 %
Fluid temperature	20.00 °C
Density	998.30 kg/m <sup>3</sup>
Kin. viscosity	1.00 mm <sup>2</sup> /s

**Hydraulic data (Duty point)**

Flow	
Head	
Shaft power P2	
Hydraulic efficiency	
NPSH	

**Product data**

Glanded standard twin-head pump	
Atmos GIGA-D 65/95-3/2	
Max. operating pressure	1,600 kPa
Fluid temperature	-20 °C ... +140 °C
Max. ambient temperature	40 °C
Minimum efficiency index (MEI)	≥ 0.4

**Motordata per Motor/Pump**

Motor efficiency level	IE3
Mains connection	3~ 400 V / 50 Hz
Permitted voltage tolerance	+ -10 %
Rated speed	2,900 1/min
Rated power P2	3.00 kW
Rated current	6.29 A
Power factor	0.79
Efficiency	
50% / 75% / 100%	82.5/ 84.6/87.1%
Degree of protection	IP55
Insulation class	F
Motor protection	No

**Fitting dimensions**

Pipe connection on the suction side	DN 65, PN 16
Pipe connection (pressure side)	DN 65, PN 16
Port to Port	340 mm

**Materials**

Pump housing	5.1301, EN-GJL-250 cataphoretic-coated
Impeller	EN-GJL-200
Lantern	5.1301/EN-GJL-250
Shaft	1.4122
Shaft seal	AQ1EGG

**Information for order placements**

Weight approx.	139 kg
Item number	2225362