

Customer

Technical data

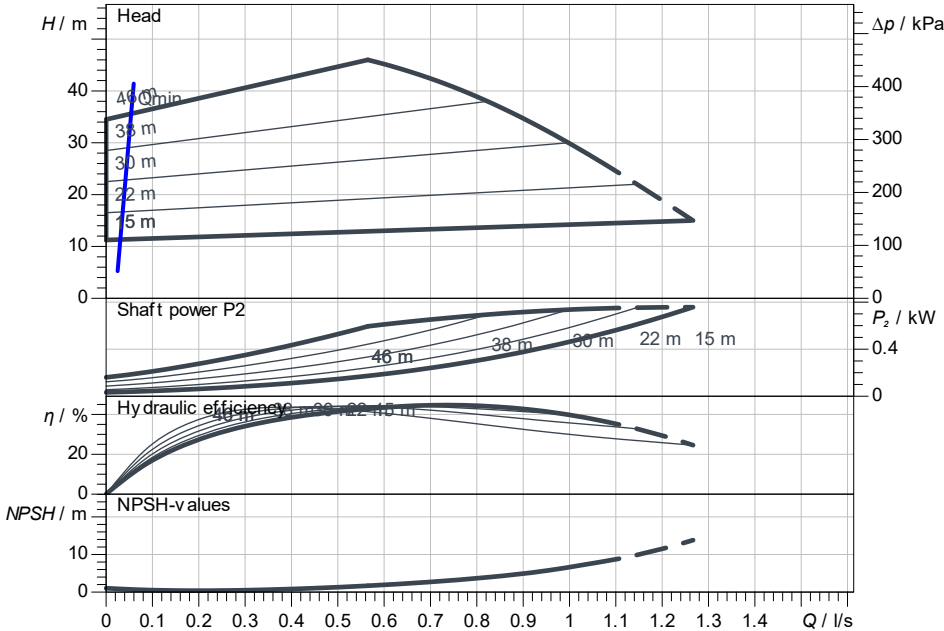
High-pressure multistage centrifugal pump Medana CH3-LE.204-1/E/3/10T

Project ID: Untitled project 2025-03-03 23:00:00.495

Project name
Installation location
Customer pos. No.

Date 2025-03-03

Duty chart



Requested data

Flow
Head
Media: Water 100 %
Fluid temperature: 20.00 °C
Density: 998.30 kg/m³
Kin. viscosity: 1.00 mm²/s

Hydraulic data (Duty point)

Flow
Head

Product data

High-pressure multistage centrifugal pump
Medana CH3-LE.204-1/E/3/10T
Max. operating pressure: 1,000 kPa
Inlet pressure max.: 600 kPa
Fluid temperature: -20 °C ... +120 °C
Max. ambient temperature: 50 °C

Motordata per Motor/Pump

Motor efficiency class: IE5
Mains connection: 3~ 400 V / 50 Hz
Permitted voltage tolerance
Max. speed
Rated power P2: 0.75 kW
Rated current: 1.60 A
0
Degree of protection: IP55
Insulation class: F
Motor protection: PTC

Fitting dimensions

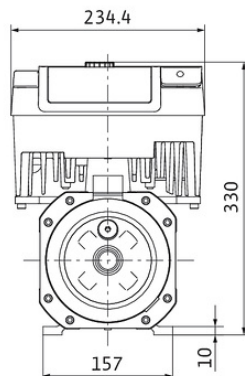
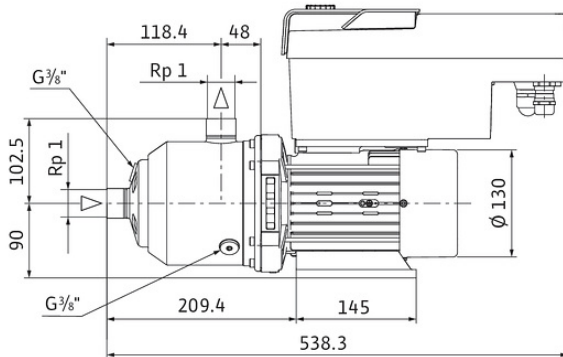
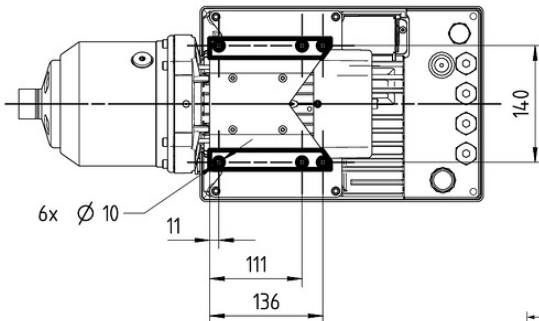
Pipe connection on the suction side: Rp 1, PN 10
Pipe connection (pressure side): Rp 1, PN 10

Materials

Pump housing: 1.4301
Impeller: 1.4301
Shaft: 1.4301
Shaft seal: BQ1E3GG
Gasket material: EPDM
Stage chamber material: 1.4301

Information for order placements

Weight approx.: 22.5 kg
Item number: 4250132



Dimensions mm