

Customer

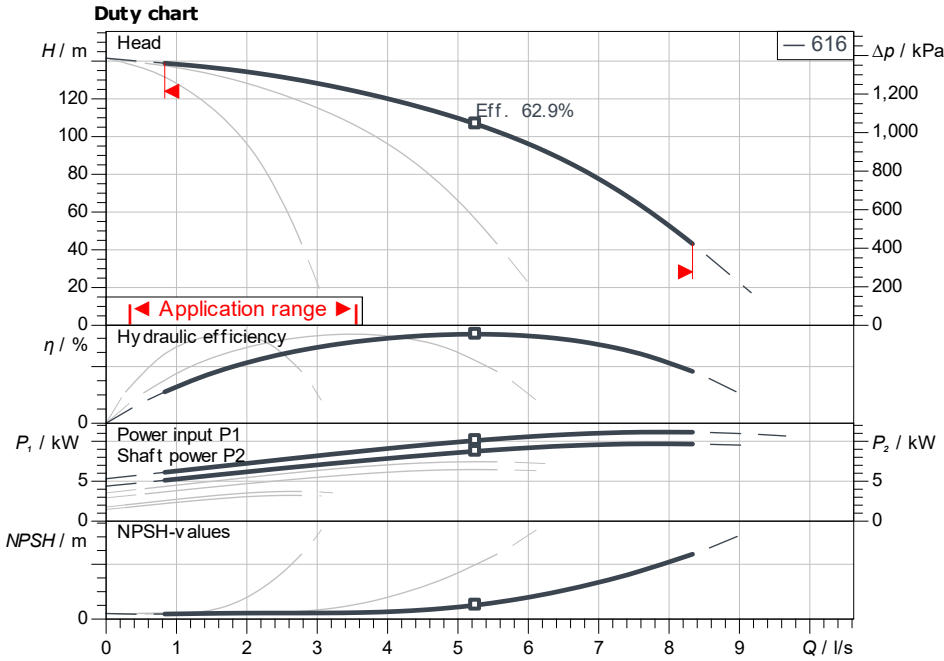
Technical data

Multi-pump system SiBoost Smart 3 Helix V 616

Project ID: Untitled project 2025-03-04 01:04:54.425

Project name
Installation location
Customer pos. No.

Date: 2025-03-04



Requested data

Flow
Head
Media: Water 100 %
Fluid temperature: 20.00 °C
Density: 998.30 kg/m³
Kin. viscosity: 1.00 mm²/s

Hydraulic data (Duty point)

Flow
Head
Shaft power P2

Product data

Multi-pump system
SiBoost Smart 3 Helix V 616

No. of pumps: 3
 Max. operating pressure: 1,600 kPa
 Inlet pressure max.: 600
 Fluid temperature: 3 °C ... +50 °C
 Max. ambient temperature: 40 °C
 Protection class system: IP55
 Protection class of switchgear: IP54
 Diaphragm pressure vessel: Yes
 Low-water cut-out switchgear: No

Motordata per Motor/Pump

Motor efficiency level: IE3
 Mains connection: 3~ 400 V / 50 Hz
 Permitted voltage tolerance: +-10 %
 Rated speed: 2,900 1/min
 Rated power P2: 4.00 kW
 Rated current: 7.40 A
 Power factor: 0.87
 Efficiency: 50% / 75% / 100%
 Degree of protection: IP55
 Insulation class: F
 Motor protection: Yes

Fitting dimensions

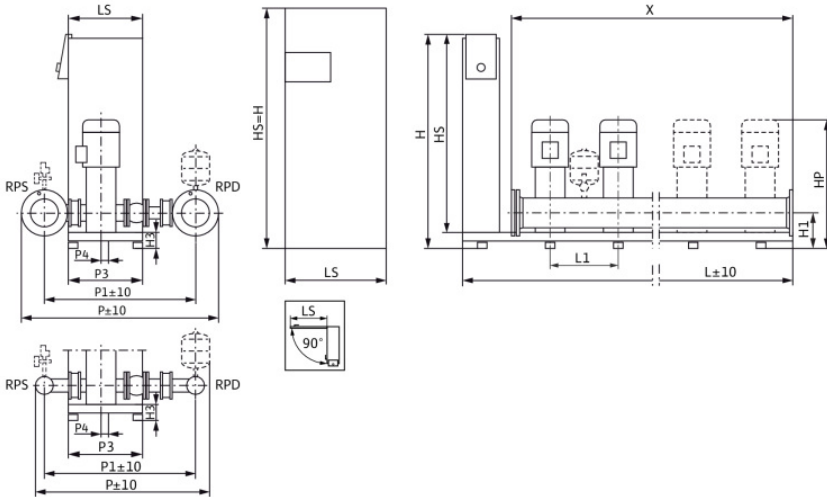
Pipe connection on the suction side: R 2½, PN 10
 Pipe connection (pressure side): R 2½, PN 16

Materials

Pump housing: 1.4301
 Impeller: 1.4307
 Shaft: 1.4301
 Shaft seal: Q1BE3GG
 Gasket material: EPDM
 Pipework material: 1.4307

Information for order placements

Weight approx.: 279 kg
 Item number: 2536018



Dimensions				mm		
DNd	R 2½, PN H3	90	LS	150	X	900
DNs	R 2½, PN HP	1,330	P	722		
H	1,055	HS	950	P1	589	
H1	140	L	1,150	P3	420	
H2	258	L1	300	P4	30	

Contact
E-mail
Phone

Customer

Contact
E-mail
Phone

Dimensions

Multi-pump system

SiBoost Smart 3 Helix V 616

Project ID Untitled project 2025-03-04 01:04:54.425

Project name
Installation location
Customer pos. No.

Date 2025-03-04



Standard

Suction side R 2 ½, PN 10/PN 16
Discharge side R 2 ½, PN 10/PN 16

Dimensions mm

Name	Value	Name	Value	Name	Value	Name	Value
DNd	R 2 ½, PN 16	HS	950	P4	30		
DNs	R 2 ½, PN 10	L	1,150	X	900		
H	1,055	L1	300				
H1	140	LS	150				
H2	258	P	722				
H3	90	P1	589				
HP	1,330	P3	420				