

Customer

Technical data

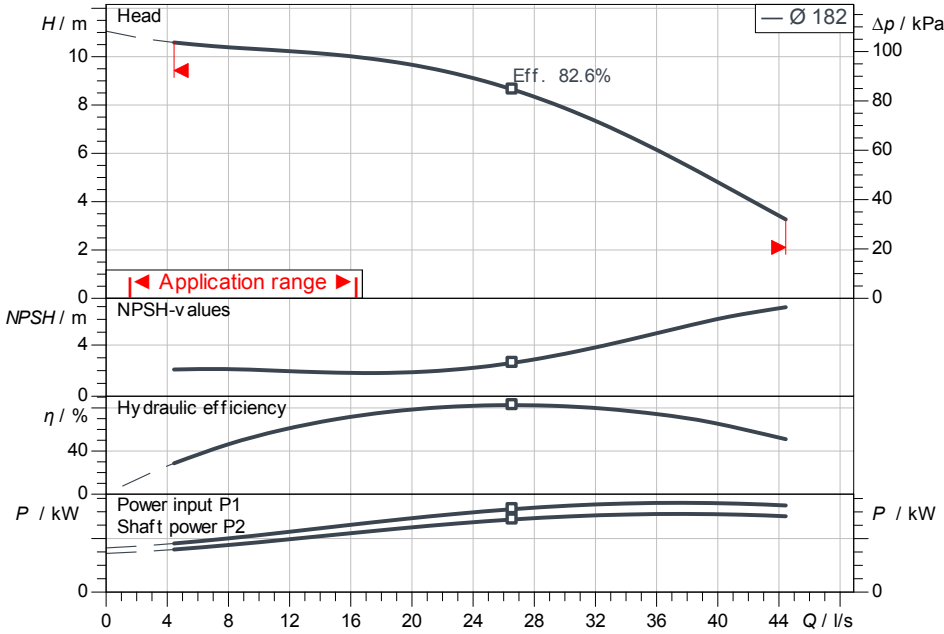
Glanded standard single pump IPL 100/155-3/4 PN 10

Project ID: Untitled project 2025-03-04 09:37:01.987

Project name
Installation location
Customer pos. No.

Date: 2025-03-04

Duty chart



Requested data

Flow
Head
Media: Water 100 %
Fluid temperature: 20.00 °C
Density: 998.30 kg/m³
Kin. viscosity: 1.00 mm²/s

Hydraulic data (Duty point)

Flow
Head
Shaft power P2
Hydraulic efficiency
NPSH

Product data

Glanded standard single pump
IPL 100/155-3/4 PN 10
Max. operating pressure: 1,000 kPa
Fluid temperature: -20 °C ... +120 °C
Max. ambient temperature: 40 °C
Minimum efficiency index (MEI): ≥ 0.4

Motordata per Motor/Pump

Motor efficiency level
Mains connection: 3~ 400 V / 50 Hz
Permitted voltage tolerance: +10 %
Rated speed: 1,460 1/min
Rated power P2: 3.00 kW
Rated current: 8.30 A
Power factor: 0.79
Efficiency: 50% / 75% / 100% → 87.4 / 87.7 / 87.7 %
Degree of protection: IP55
Insulation class: F
Motor protection: No

Fitting dimensions

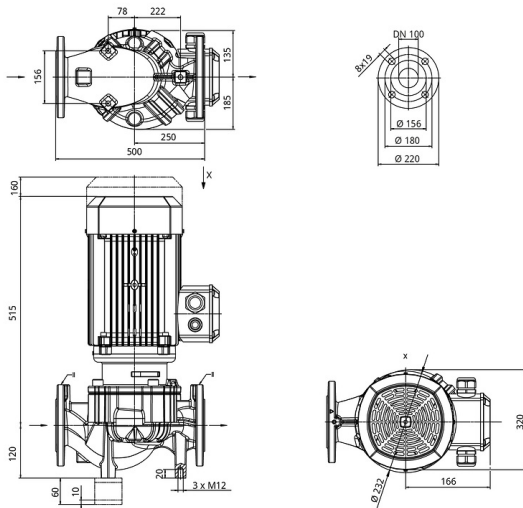
Pipe connection on the suction side: DN 100, PN 16
Pipe connection (pressure side): DN 100, PN 16
Port to Port: 500 mm

Materials

Pump housing: 5.1301, EN-GJL-250 cast
Impeller: EN-GJL-200
Lantern: 5.1301, EN-GJL-250 cast
Shaft: 1.4122
Shaft seal: AQ1EGG

Information for order placements

Weight approx.: 95 kg
Item number: 2231840



I: Druckmessanschluss R 1/8
II: Entlüftung R 1/8