

**Customer**

## Technical data

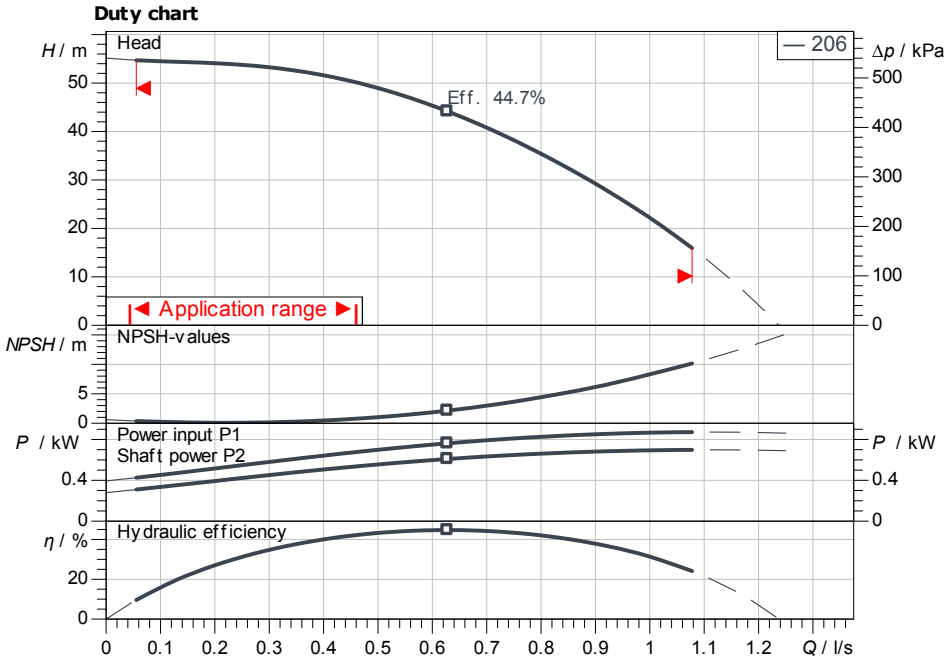
### Single-pump system

### Isar MODH1-1CH1-L-206/EC

Project ID                      Untitled project 2025-03-03 22:14:23.954

Project name  
Installation location  
Customer pos. No.

Date                      2025-03-03



**Requested data**

Flow  
Head  
Media                      Water 100 %  
Fluid temperature                      20.00 °C  
Density                      998.30 kg/m<sup>3</sup>  
Kin. viscosity                      1.00 mm<sup>2</sup>/s

**Hydraulic data (Duty point)**

Flow  
Head  
Shaft power P2

**Product data**

Single-pump system  
Isar MODH1-1CH1-L-206/EC  
Control                      Without frequency conversion  
No. of pumps                      1  
Max. operating pressure                      1,000 kPa  
Inlet pressure max.                      6 bar  
Fluid temperature                      3 °C ... +60 °C  
Max. ambient temperature                      40 °C  
Protection class motor                      IP55  
Protection class of switchgear                      IP54  
Diaphragm pressure vessel                      Yes  
Low-water cut-out switchgear                      No

**Motordata per Motor/Pump**

Motor efficiency level                      IE3  
Mains connection                      3~ 400 V / 50 Hz  
Permitted voltage tolerance                      +-10 %  
Max. speed                      2,900 1/min  
Rated power P2                      0.75 kW  
Rated current                      1.90 A

Efficiency                      50% / 75% / 100%                      75.6/79.6/80.7%  
Insulation class                      F  
Motor protection

**Fitting dimensions**

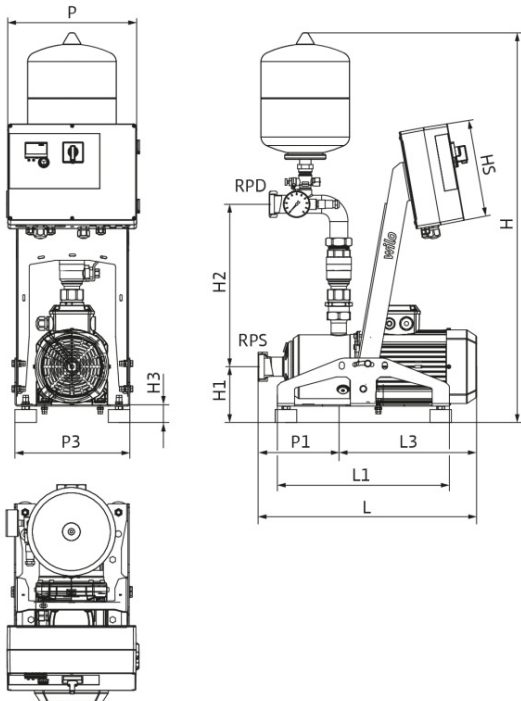
Pipe connection on the suction side                      G 1 ¼, PN 10  
Pipe connection (pressure side)                      G 1 ¼, PN 10

**Materials**

Pump housing                      1.4301  
  
Impeller                      1.4301  
Shaft                      1.4301  
Shaft seal                      BQ1E3GG  
Gasket material                      EPDM  
Pipework material                      1.4301/CW617N

**Information for order placements**

Weight approx.                      28 kg  
Item number                      2551899



**Dimensions**                      mm

DNd	G 1 ¼, PN	H3	40	P	300
DNs	G 1 ¼, PN	HS	230	P1	166
H	864	L	442	P3	267
H1	130	L3	276		
H2	342	LS	110		

