

Customer

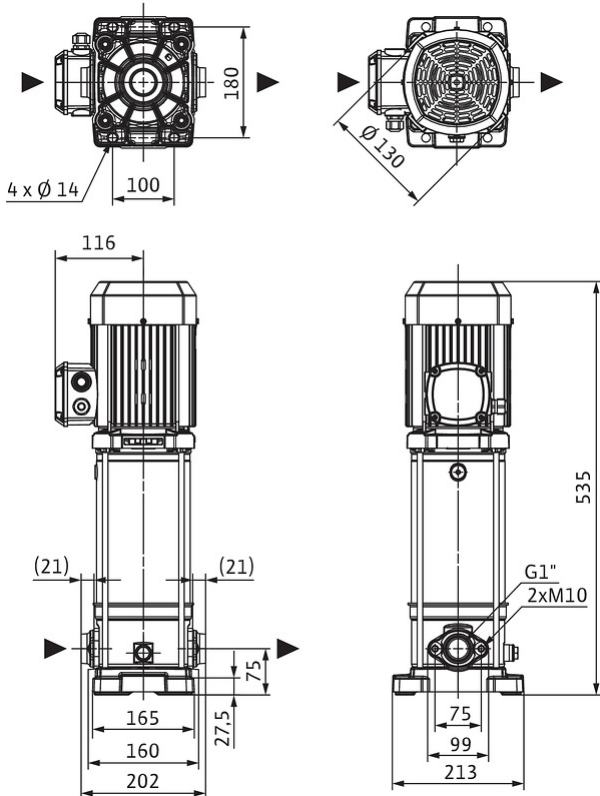
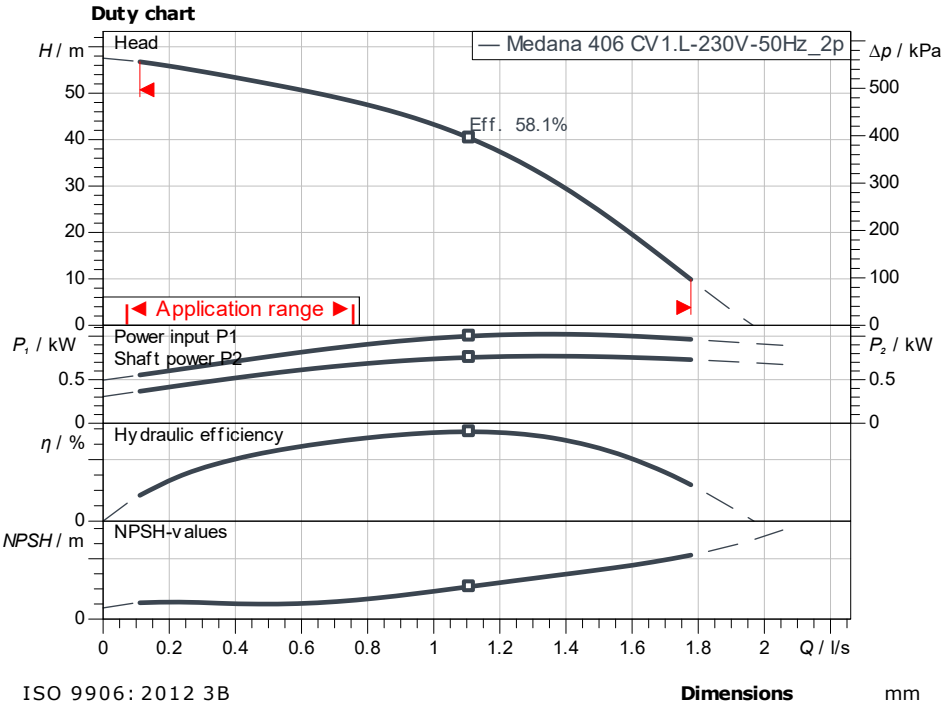
Technical data

High-pressure multistage centrifugal pump Medana CV1-L.406-1/E/A/100

Project ID: Untitled project 2025-03-03 23:00:00.495

Project name
Installation location
Customer pos. No.

Date: 2025-03-03



Requested data

Flow	
Head	
Media	Water 100 %
Fluid temperature	20.00 °C
Density	998.30 kg/m ³
Kin. viscosity	1.00 mm ² /s

Hydraulic data (Duty point)

Flow	
Head	
Shaft power P_2	
Hydraulic efficiency	
NPSH	

Product data

High-pressure multistage centrifugal pump Medana CV1-L.406-1/E/A/100	
Max. operating pressure	1,000 kPa
Inlet pressure max.	6 bar
Fluid temperature	-20 °C ... +120 °C
Max. ambient temperature	50 °C
Minimum efficiency index (MEI)	≥ 0.7

Motordata per Motor/Pump

Motor efficiency level	IE2
Mains connection	1~ 230 V / 50 Hz
Permitted voltage tolerance	+10 %
Rated speed	2,900 1/min
Rated power P_2	1.10 kW
Rated current	7.30 A
Power factor	
Service factor	1
Degree of protection	IP55
Insulation class	F
Motor protection	Yes

Fitting dimensions

Pipe connection on the suction side	G 1, PN 16
Pipe connection (pressure side)	G 1, PN 16

Materials

Pump housing	1.4301
Impeller	1.4301
Shaft	1.4301
Shaft seal	BQ7EGG
Gasket material	EPDM

Information for order placements

Weight approx.	20.2 kg
Item number	4240489