

Customer

Technical data

Multi-pump system

COR 2 MHI 404/SCe EM

Project ID

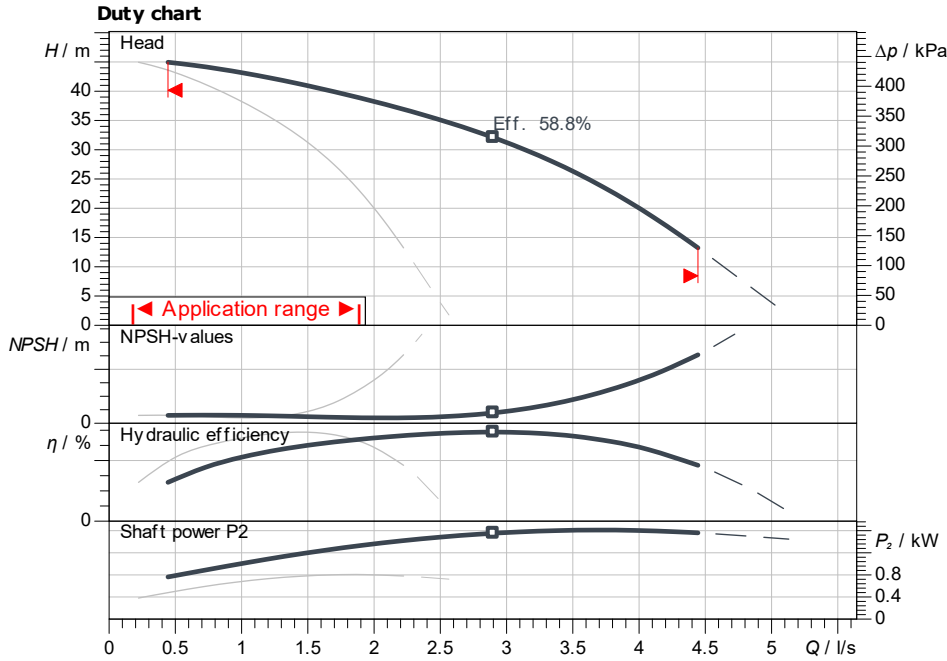
Untitled project 2025-03-02 21:29:08.965

Project name

Installation location

Customer pos. No.

Date 2025-03-02



Requested data

Flow	
Head	
Media	Water 100 %
Fluid temperature	20.00 °C
Density	998.30 kg/m ³
Kin. viscosity	1.00 mm ² /s

Hydraulic data (Duty point)

Flow	
Head	
Shaft power P ₂	

Product data

Multi-pump system	
COR 2 MHI 404/SCe EM	
Control	With frequency converter
No. of pumps	2
Max. operating pressure	1,000 kPa
Inlet pressure max.	6 bar
Fluid temperature	3 °C ... +50 °C
Max. ambient temperature	40 °C
Diaphragm pressure vessel	Yes
Low-water cut-out switchgear	Yes

Control

Mains connection	1~220-230 V
	50 Hz
Protection class of switchgear	IP54

Motordata per Motor/Pump

Motor efficiency level	IE3
Rated power P ₂	0.75 kW
Rated current	1.95 A
Efficiency	
50% / 75% / 100%	79.5/80.7/80.7%
Protection class motor	IP54
Insulation class	F
Motor protection	Yes

Fitting dimensions

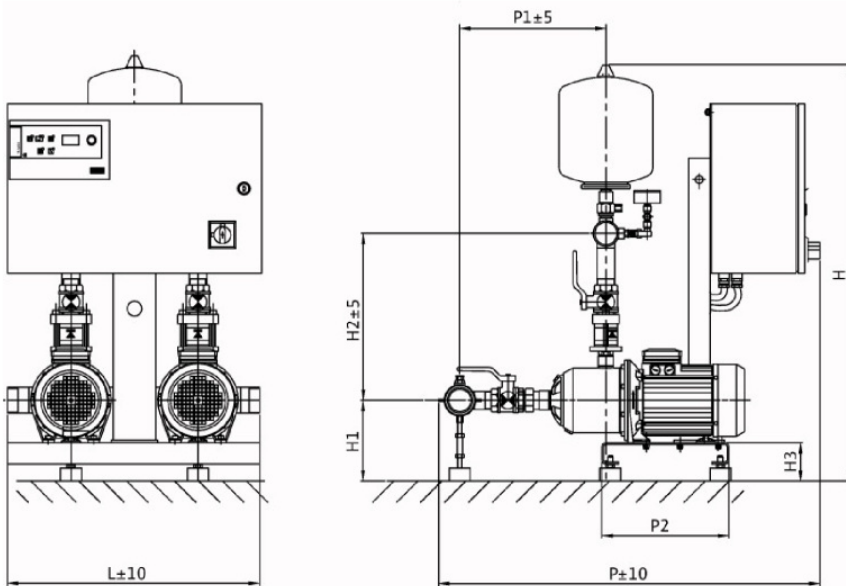
Pipe connection on the suction side	R 2, PN 6
Pipe connection (pressure side)	R 2, PN 10

Materials

Pump housing	1.4301
Impeller	1.4301
Shaft	1.4301
Shaft seal	BQ1E3GG
Gasket material	EPDM
Pipework material	1.4404

Information for order placements

Weight approx.	80 kg
Item number	29992320



Dimensions mm

DNd	R 2, PN 1	H3	90	P	892
DNs	R 2, PN 6	HS	400	P1	347
H	990	L	600	P2	300
H1	180	L1	300	X	600
H2	395	LS	600		

Contact
E-mail
Phone

Customer

Contact
E-mail
Phone

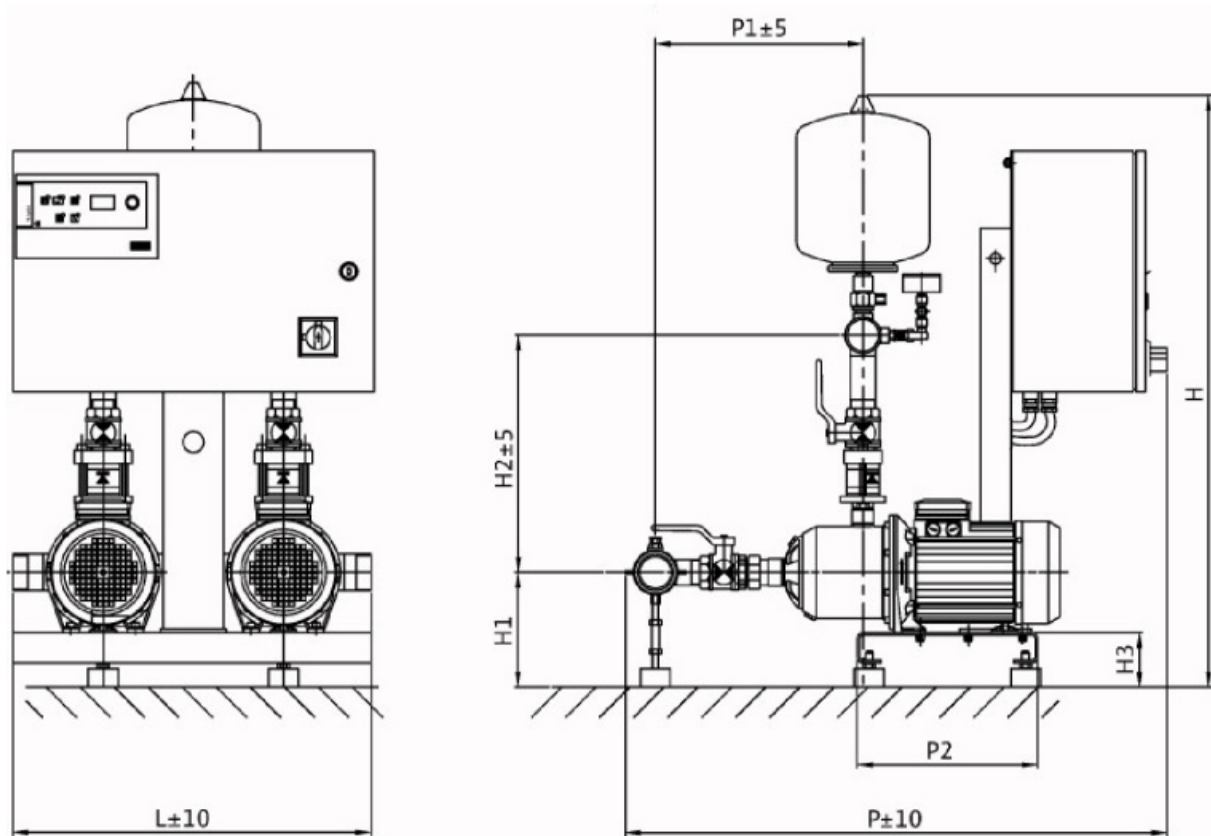
Dimensions

Multi-pump system
COR 2 MHI 404/SCe EM

Project ID Untitled project 2025-03-02 21:29:08.965

Project name
Installation location
Customer pos. No.

Date 2025-03-02



Standard

Suction side R 2, PN 6/PN 10
Discharge side R 2, PN 6/PN 10

Dimensions mm

Name	Value	Name	Value	Name	Value	Name	Value
DNd	R 2, PN 10	L	600				
DNs	R 2, PN 6	L1	300				
H	990	LS	600				
H1	180	P	892				
H2	395	P1	347				
H3	90	P2	300				
HS	400	X	600				