

Customer

Technical data

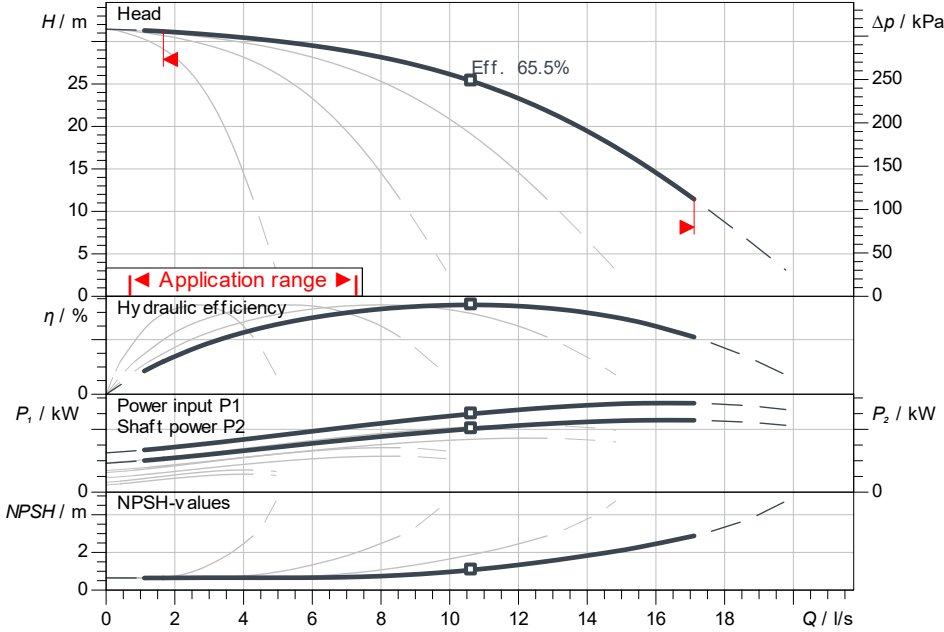
Multi-pump system SiBoost Smart 4 Helix V 1003

Project ID: Untitled project 2025-03-04 01:04:54.425

Project name
Installation location
Customer pos. No.

Date: 2025-03-04

Duty chart



Requested data

Flow
Head
Media: Water 100 %
Fluid temperature: 20.00 °C
Density: 998.30 kg/m³
Kin. viscosity: 1.00 mm²/s

Hydraulic data (Duty point)

Flow
Head
Shaft power P2

Product data

Multi-pump system
SiBoost Smart 4 Helix V 1003

No. of pumps: 4
Max. operating pressure: 1,600 kPa
Inlet pressure max.: 600
Fluid temperature: 3 °C ... +50 °C
Max. ambient temperature: 40 °C
Protection class system: IP55
Protection class of switchgear: IP54
Diaphragm pressure vessel: Yes
Low-water cut-out switchgear: No

Motordata per Motor/Pump

Motor efficiency level: IE3
Mains connection: 3~ 400 V / 50 Hz
Permitted voltage tolerance: +-10 %
Rated speed: 2,900 1/min
Rated power P2: 1.10 kW
Rated current: 2.50 A
Power factor: 0.8
Efficiency: 50% / 75% / 100%
Degree of protection: IP55
Insulation class: F
Motor protection: Yes

Fitting dimensions

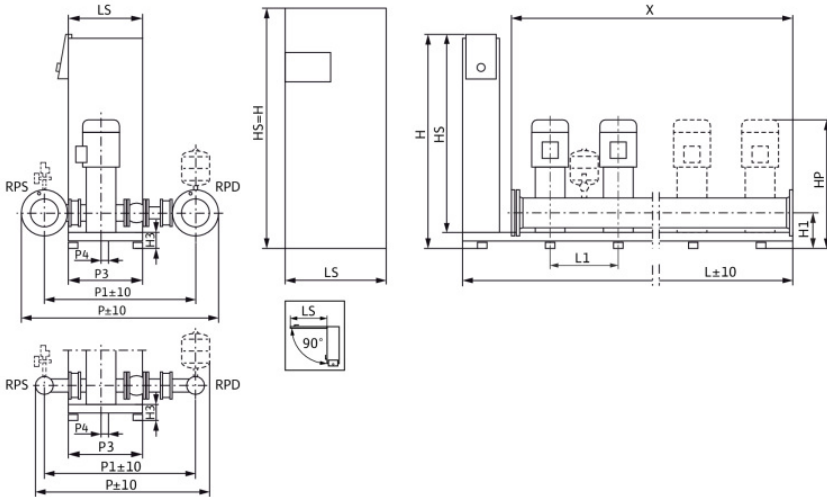
Pipe connection on the suction side: R 3, PN 10
Pipe connection (pressure side): R 3, PN 16

Materials

Pump housing: 1.4301
Impeller: 1.4307
Shaft: 1.4301
Shaft seal: Q1BE3GG
Gasket material: EPDM
Pipework material: 1.4307

Information for order placements

Weight approx.: 216 kg
Item number: 2536102



Dimensions

mm

DNd	R 3, PN 1	H3	90	LS	150	X	1,200
DNs	R 3, PN 1	HP	739	P	845		
H	1,055	HS	950	P1	717		
H1	170	L	1,450	P3	420		
H2	294.5	L1	300	P4	30		

Contact
E-mail
Phone

Customer

Contact
E-mail
Phone

Dimensions

Multi-pump system

SiBoost Smart 4 Helix V 1003

Project ID

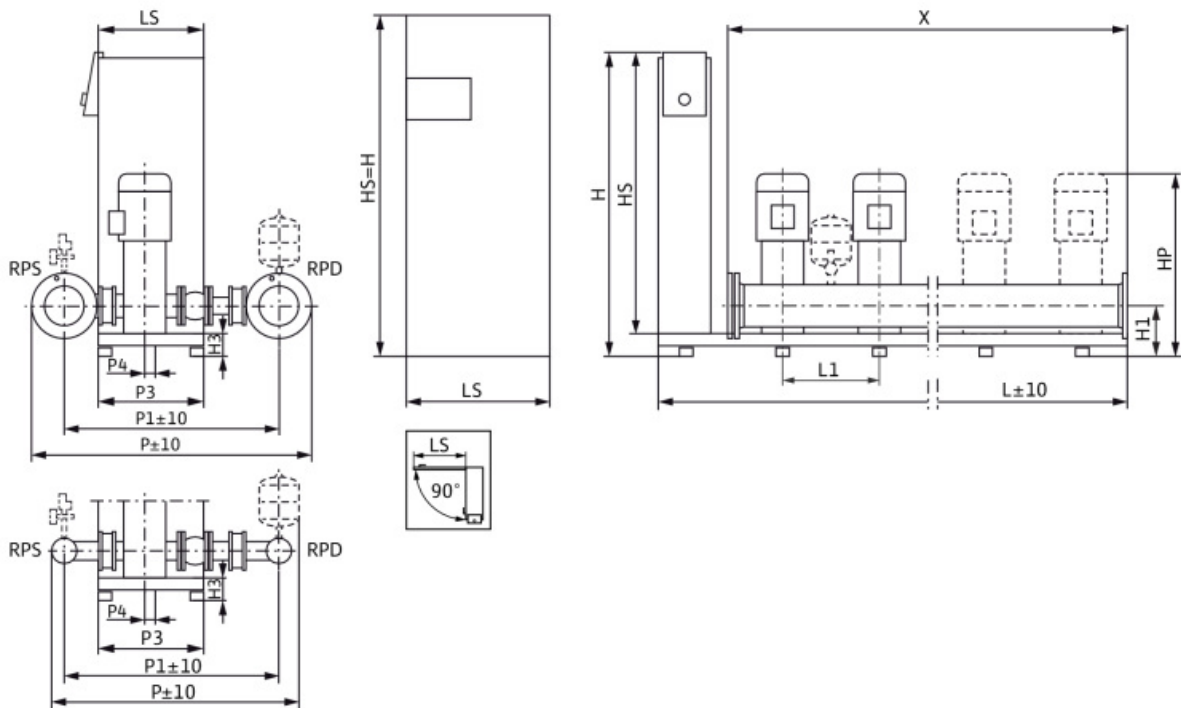
Untitled project 2025-03-04 01:04:54.425

Project name

Installation location

Customer pos. No.

Date 2025-03-04



Standard

Suction side R 3, PN 10/PN 16
Discharge side R 3, PN 10/PN 16

Dimensions mm

Name	Value	Name	Value	Name	Value	Name	Value
DNd	R 3, PN 16	HS	950	P4	30		
DNs	R 3, PN 10	L	1,450	X	1,200		
H	1,055	L1	300				
H1	170	LS	150				
H2	294.5	P	845				
H3	90	P1	717				
HP	739	P3	420				