

Customer

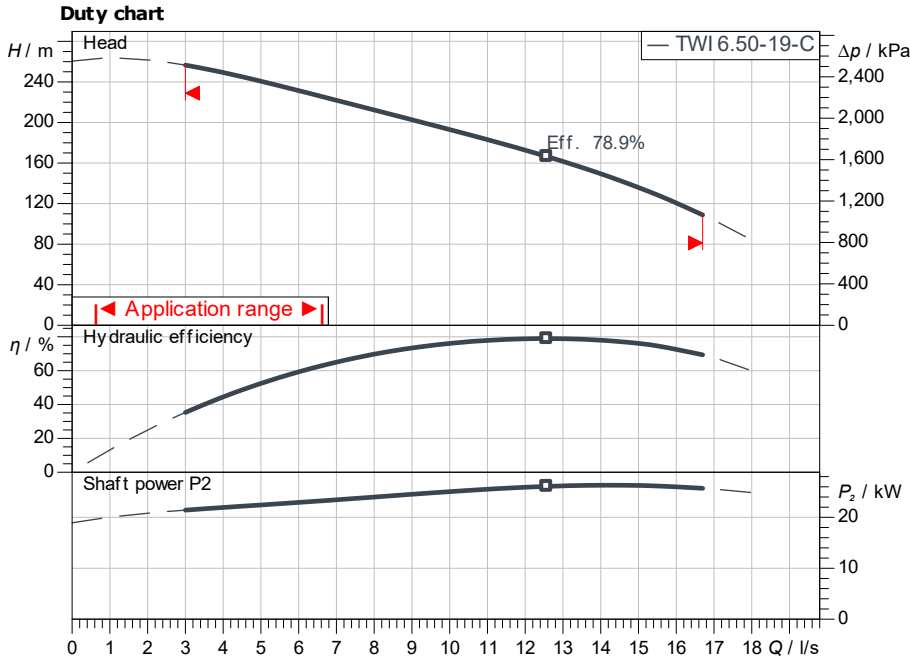
Technical data

Submersible pump Sub TWI 6.50-19-C-SD

Project ID Untitled project 2025-03-17 07:47:37.014

Project name
Installation location
Customer pos. No.

Date 2025-03-17



Requested data

Flow
Head
Media Water 100 %
Fluid temperature 20.00 °C
Density 998.30 kg/m³
Kin. viscosity 1.00 mm²/s

Hydraulic data (Duty point)

Flow
Head
Shaft power P2
Hydraulic efficiency
Power input P1

Product data

Submersible pump
Sub TWI 6.50-19-C-SD
Max. operating pressure 4,000 kPa
Fluid temperature 3 °C ... +30 °C
Minimum efficiency index (MEI) ≥ 0.4
Max. pump diameter 152 mm

Motordata per Motor/Pump

Mains connection 3~400 V / 50 Hz
Type of motor Submersible motor

Activation type Star-Delta (YΔ)
Min. flow at the motor 0.1 m/s
Motor diameter 136.7 mm
Permitted voltage tolerance +-5 %
Nominal speed 2,860 1/min
Rated power P2 30.00 kW
Rated current 65.00 A
Power factor 0.81
Degree of protection IP68
Insulation class F

Cable

Length of connecting cable 4 m
Cable type 2x 4G4

Fitting dimensions

Discharge size Rp 3
Flange standard -

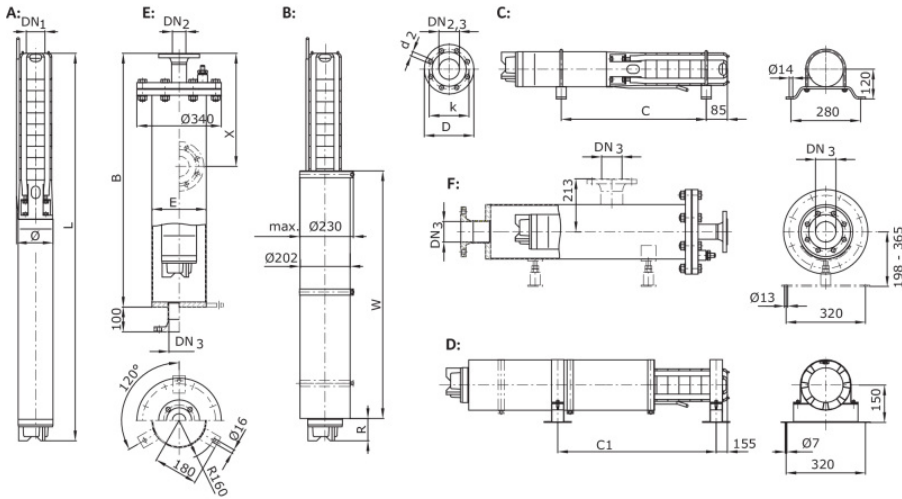
Materials

Pump housing 1.4301
Motor housing 5.1301/EN-GJL-250
Shaft 1.4057
Impeller 1.4301

Information for order placements

Weight approx. 132 kg
Item number 6075270

Approval



Dimensions

Dimensions		mm	
B	1	L	3,454
c	1	W	1,100
C1	2,615		
e	1		