

Contact  
E-mail  
Phone

**Customer**

Contact  
E-mail  
Phone

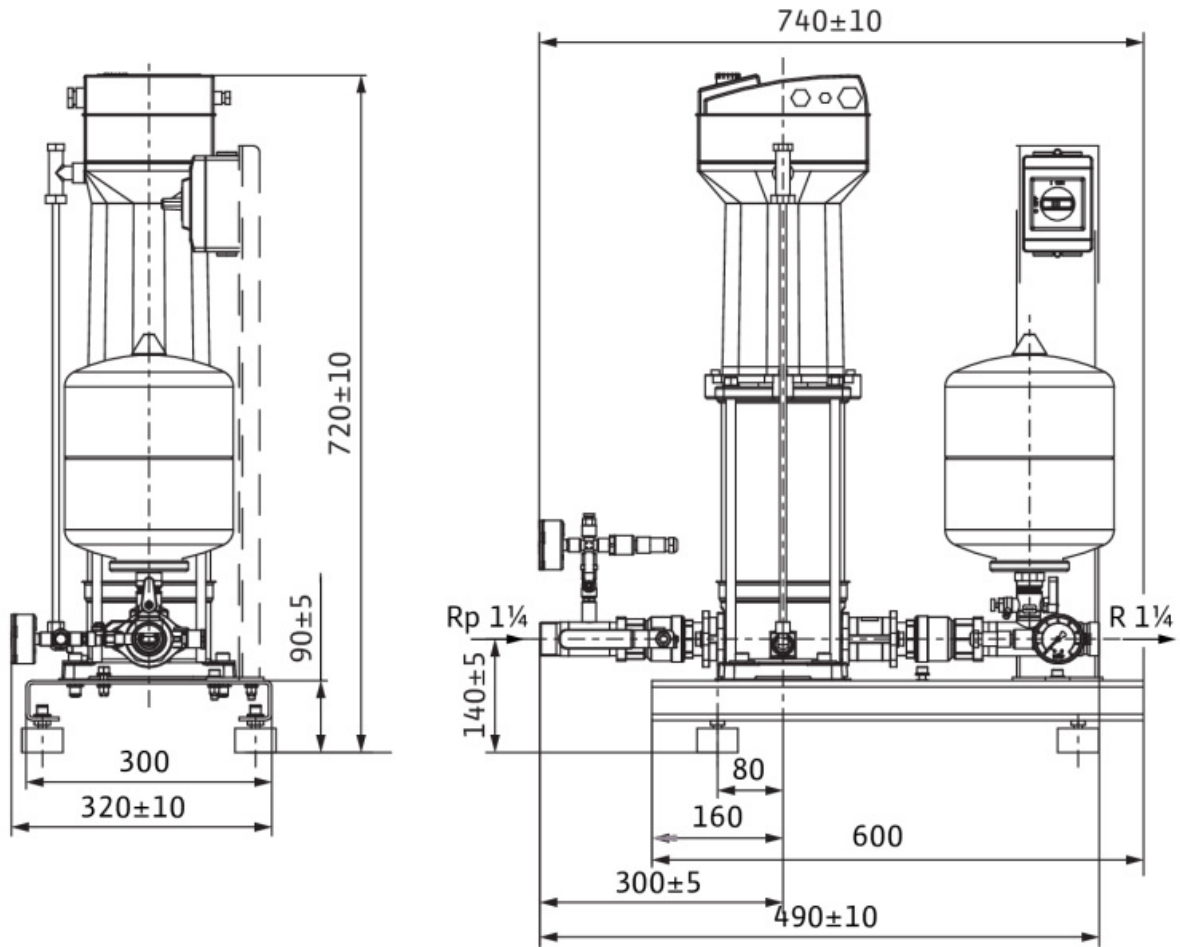
## Dimensions

Single-pump system  
SiBoost Smart 1 MWISE 206

Project ID                      Untitled project 2025-03-05 08:57:18.785

Project name  
Installation location  
Customer pos. No.

Date                      2025-03-05



Standard

Suction side                       $R 1\frac{1}{4}$ , PN 10/PN 16

Discharge side                       $G 1\frac{1}{4}$ , PN 10/PN 16

**Dimensions**                      mm

Name	Value	Name	Value	Name	Value	Name	Value
------	-------	------	-------	------	-------	------	-------

Contact  
E-mail  
Phone

**Customer**

Contact  
E-mail  
Phone

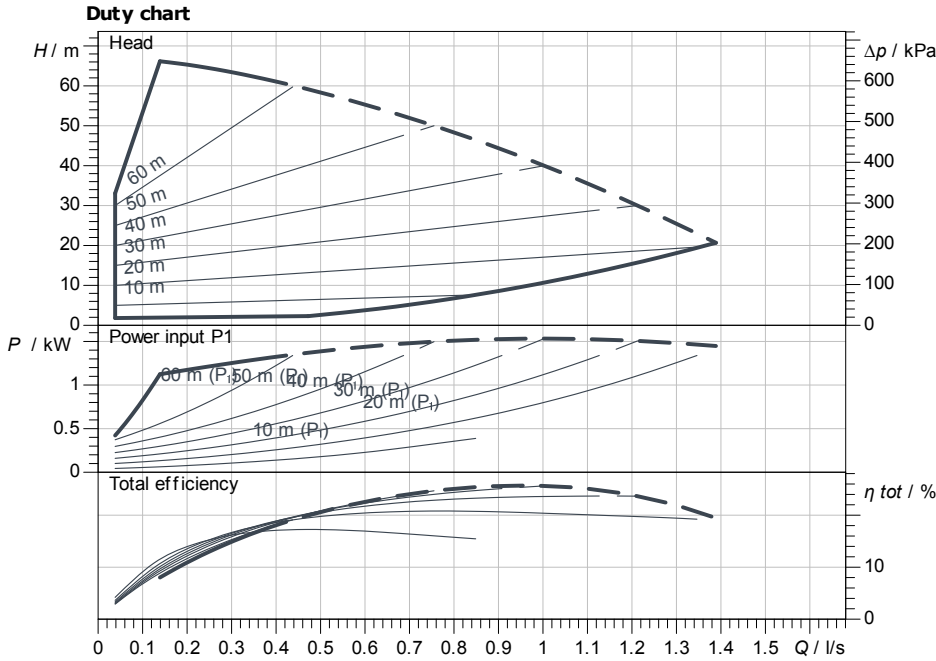
## Technical data

### Single-pump system SiBoost Smart 1 MWISE 206

Project ID: Untitled project 2025-03-05 08:57:18.785

Project name  
Installation location  
Customer pos. No.

Date: 2025-03-05



**Requested data**

Flow  
Head  
Media: Water 100 %  
Fluid temperature: 20.00 °C  
Density: 998.30 kg/m<sup>3</sup>  
Kin. viscosity: 1.00 mm<sup>2</sup>/s

**Hydraulic data (Duty point)**

Flow  
Head  
Power input P1

**Product data**

Single-pump system  
SiBoost Smart 1 MWISE 206  
Control: With frequency converter  
No. of pumps: 1  
Max. operating pressure: 1,600 kPa  
Inlet pressure max.: 6 bar  
Fluid temperature: 3 °C ... +50 °C  
Max. ambient temperature: 40 °C  
Protection class motor: IP44  
Protection class of switchgear: IP44  
Diaphragm pressure vessel: Yes  
Low-water cut-out switchgear: No

**Motordata per Motor/Pump**

Mains connection: 3~ 400 V / 60 Hz  
Permitted voltage tolerance: +10 %  
Max. speed: 2,900 1/min  
Rated power P2: 1.10 kW  
Rated current: 4.20 A  
Insulation class: F  
Motor protection: PTC

**Fitting dimensions**

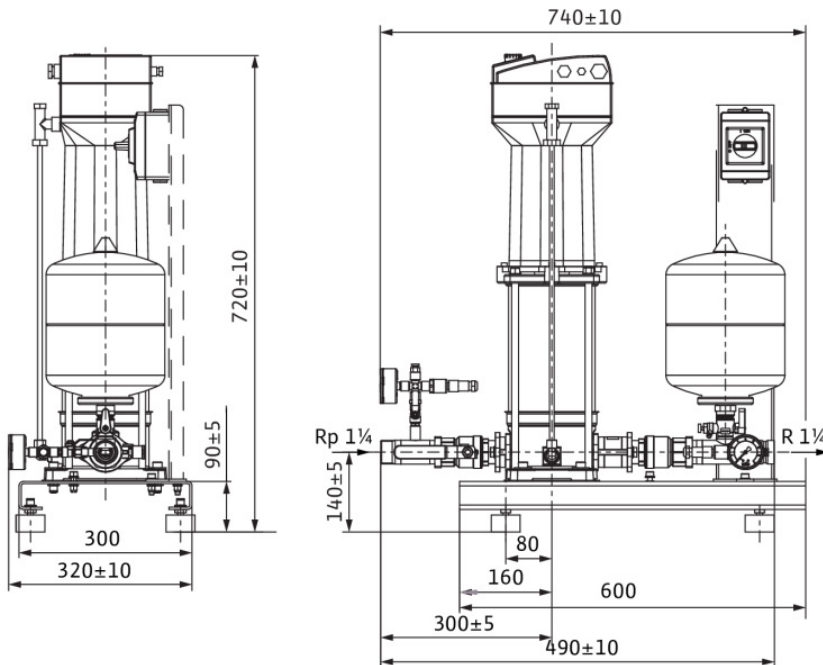
Pipe connection on the suction side: R 1 1/4, PN 10  
Pipe connection (pressure side): G 1 1/4, PN 16

**Materials**

Pump housing: 1.4301  
Impeller: 1.4301  
Shaft: 1.4122  
Gasket material: EPDM  
Pipework material: 1.4307

**Information for order placements**

Weight approx.: 47 kg  
Item number: 2550736



**Dimensions** mm