

Customer

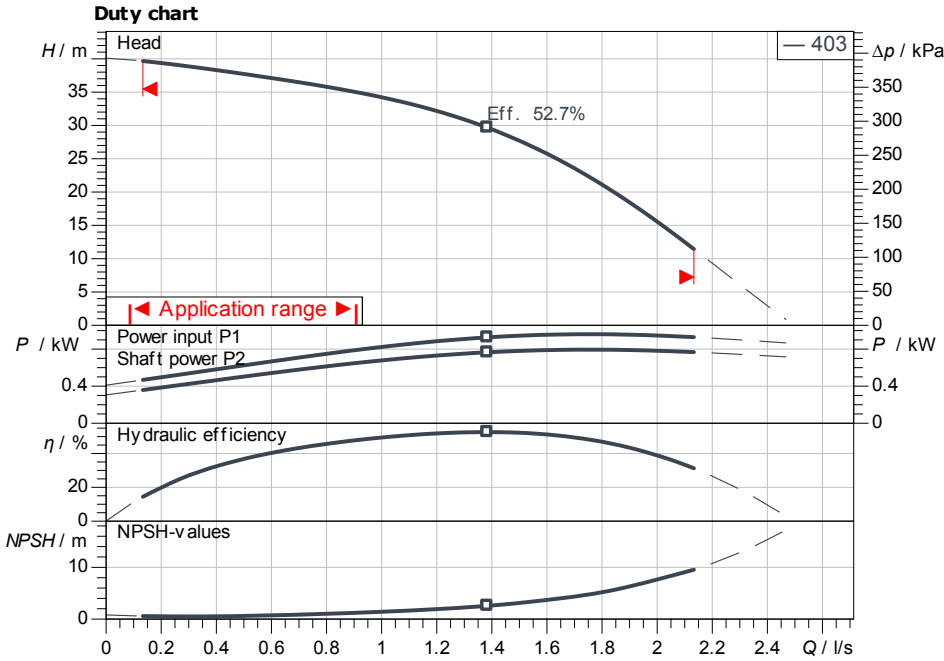
Technical data

High-pressure multistage centrifugal pump Medana CH1-LC.403-5/E/FG/10T

Project ID Untitled project 2025-03-05 08:29:53.905

Project name
Installation location
Customer pos. No.

Date 2025-03-05



Requested data

Flow	
Head	
Media	Water 100 %
Fluid temperature	20.00 °C
Density	998.30 kg/m ³
Kin. viscosity	1.00 mm ² /s

Hydraulic data (Duty point)

Flow
Head

Product data

High-pressure multistage centrifugal pump Medana CH1-LC.403-5/E/FG/10T	
Max. operating pressure	1,000 kPa
Inlet pressure max.	600 kPa
Fluid temperature	-20 °C ... +120 °C
Max. ambient temperature	50 °C

Motordata per Motor/Pump

Motor efficiency class	IE3
Mains connection	3~ 460 V / 60 Hz
Permitted voltage tolerance	+ -10 %
Max. speed	3,500 1/min
Rated power P2	0.75 kW
Rated current	1.70 A
0	
Degree of protection	IP55
Insulation class	F
Motor protection	No

Fitting dimensions

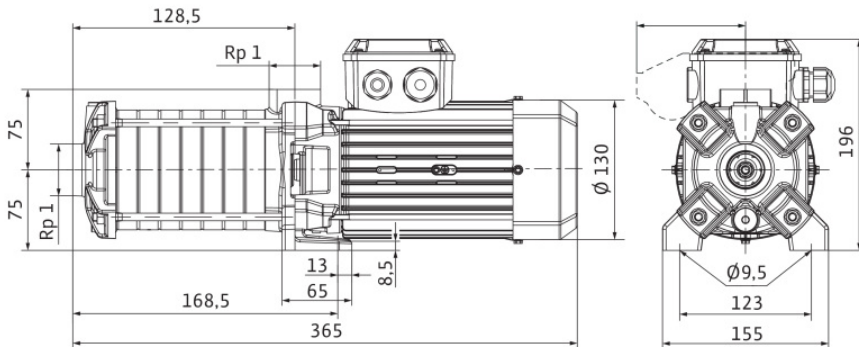
Pipe connection on the suction side Rp 1, PN 10
 Pipe connection (pressure side) Rp 1, PN 10

Materials

Pump housing	5.1301, EN-GJL-250 c
Impeller	1.4301
Shaft	1.4301
Shaft seal	BQ7EGG
Gasket material	EPDM
Stage chamber material	1.4404

Information for order placements

Weight approx.	13 kg
Item number	4235385



Dimensions mm