

**Customer**

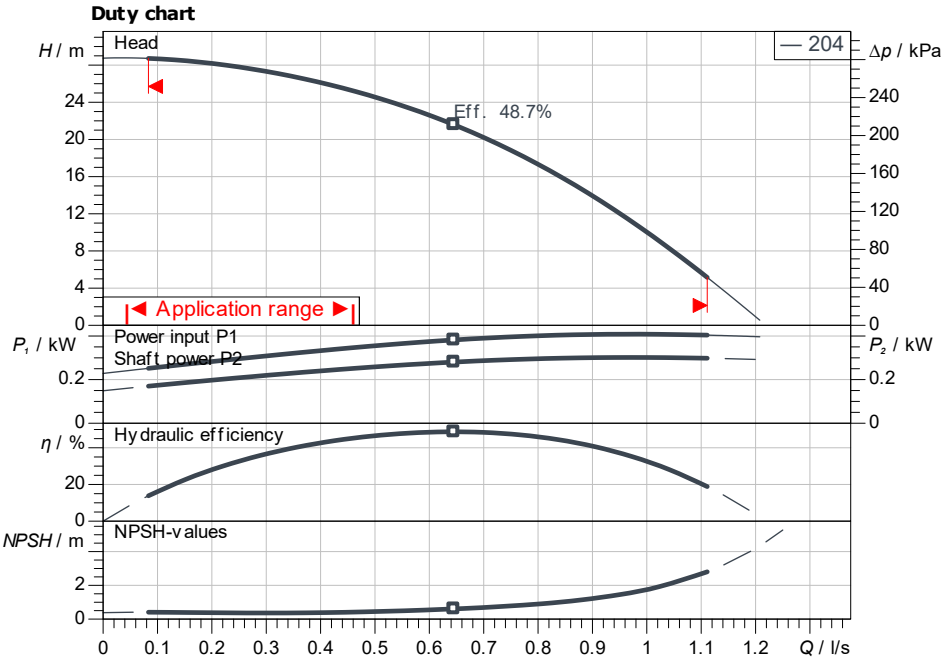
# Technical data

## High-pressure multistage centrifugal pump Helix V 204-2/25/V/KS/400-50

Project ID: Untitled project 2025-03-03 20:19:56.538

Project name  
Installation location  
Customer pos. No.

Date: 2025-03-03



**Requested data**

Flow	
Head	
Media	Water 100 %
Fluid temperature	20.00 °C
Density	998.30 kg/m <sup>3</sup>
Kin. viscosity	1.00 mm <sup>2</sup> /s

**Hydraulic data (Duty point)**

Flow	
Head	
Shaft power $P_2$	
Hydraulic efficiency	
NPSH	

**Product data**

High-pressure multistage centrifugal pump Helix V 204-2/25/V/KS/400-50	
Max. operating pressure	2,500 kPa
Inlet pressure max.	10 bar
Fluid temperature	-15 °C ... +90 °C
Max. ambient temperature	50 °C
Minimum efficiency index (MEI)	≥ 0.7

**Motordata per Motor/Pump**

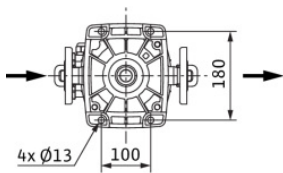
Motor efficiency level	IE2
Mains connection	3~ 400 V / 50 Hz
Permitted voltage tolerance	+ -10 %
Max. speed	2,900 1/min
Rated power $P_2$	0.37 kW
Rated current	0.95 A
Power factor	0.91
Service factor	1.15
Efficiency	50% / 75% / 100%
	65.4/65.6/64.7%
Degree of protection	IP55
Insulation class	F
Motor protection	No

ISO 9906: 2012 3B

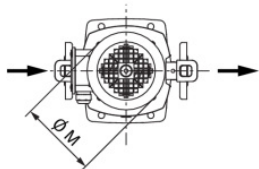
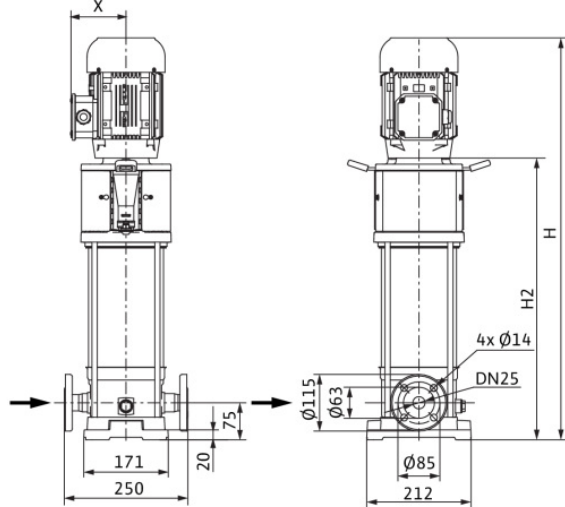
**Dimensions**

mm

H	670
H2	446
ØM	130
X	121
X	119



PN25



**Fitting dimensions**

Pipe connection on the suction side	DN 25, PN 25
Pipe connection (pressure side)	DN 25, PN 25

**Materials**

Pump housing	1.4404
Impeller	1.4404
Shaft	1.4404
Shaft seal	BQ7VGG
Gasket material	FKM

**Information for order placements**

Weight approx.	25 kg
Item number	4161737