

**Customer**

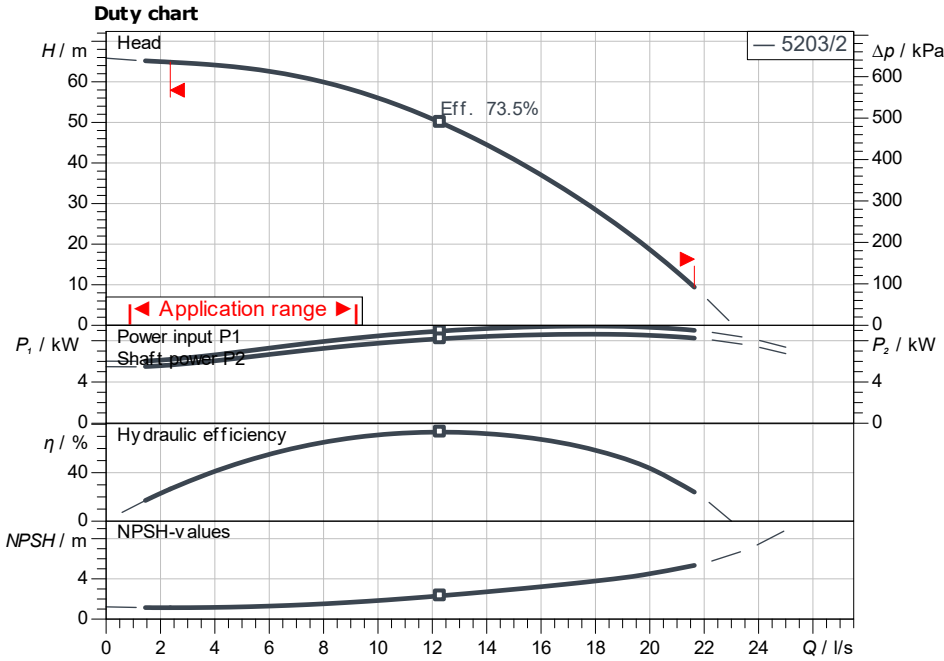
## Technical data

### Fire-extinguishing system FLA-2 Helix V 5203/2/K-02 PN10

Project ID: Untitled project 2025-03-03 14:15:38.327

Project name  
Installation location  
Customer pos. No.

Date: 2025-03-03



#### Requested data

Flow	
Head	
Media	Water 100 %
Fluid temperature	20.00 °C
Density	998.30 kg/m <sup>3</sup>
Kin. viscosity	1.00 mm <sup>2</sup> /s

#### Hydraulic data (Duty point)

Flow	
Head	
Shaft power P2	

#### Product data

Fire-extinguishing system  
FLA-2 Helix V 5203/2/K-02 PN10

No. of pumps	2
Max. operating pressure	1,000 kPa
Inlet pressure max.	1,000
Fluid temperature	3 °C ... +50 °C
Max. ambient temperature	40 °C
Protection class system	IP55
Protection class of switchgear	IP54
Diaphragm pressure vessel	Yes
Low-water cut-out switchgear	No

#### Motordata per Motor/Pump

Motor efficiency level	IE3
Mains connection	3~ 400 V / 50 Hz
Permitted voltage tolerance	+/- 10 %
Rated speed	2,900 1/min
Rated power P2	11.00 kW
Rated current	21.00 A
Power factor	0.84
Efficiency	
50% / 75% / 100%	90.3/91.3/91.2%
Degree of protection	IP55
Insulation class	F
Motor protection	Yes

#### Fitting dimensions

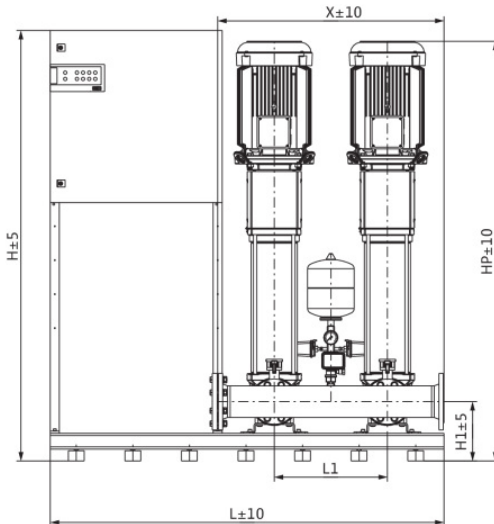
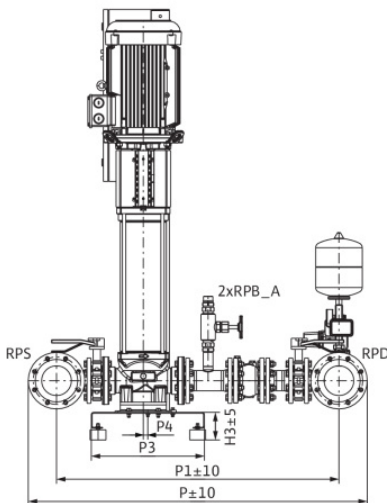
Pipe connection on the suction side	DN 125, PN 10
Pipe connection (pressure side)	DN 125, PN 16

#### Materials

Pump housing	5.1301/EN-GJL-250
Impeller	1.4307
Shaft	1.4057
Shaft seal	Q1BE3GG
Gasket material	EPDM
Pipework material	1.4307

#### Information for order placements

Weight approx.	508 kg
Item number	2534402



#### Dimensions

Dimensions		mm			
H	1,905	L	1,740	P4	0
H1	265	L1	500	RPB_A	R 1 ¼
H3	125	P	1,498	RPD	DN 125,
HP	1,224	P1	1,248	RPS	DN 125,
HS	760	P3	500		

Contact  
E-mail  
Phone

**Customer**

Contact  
E-mail  
Phone

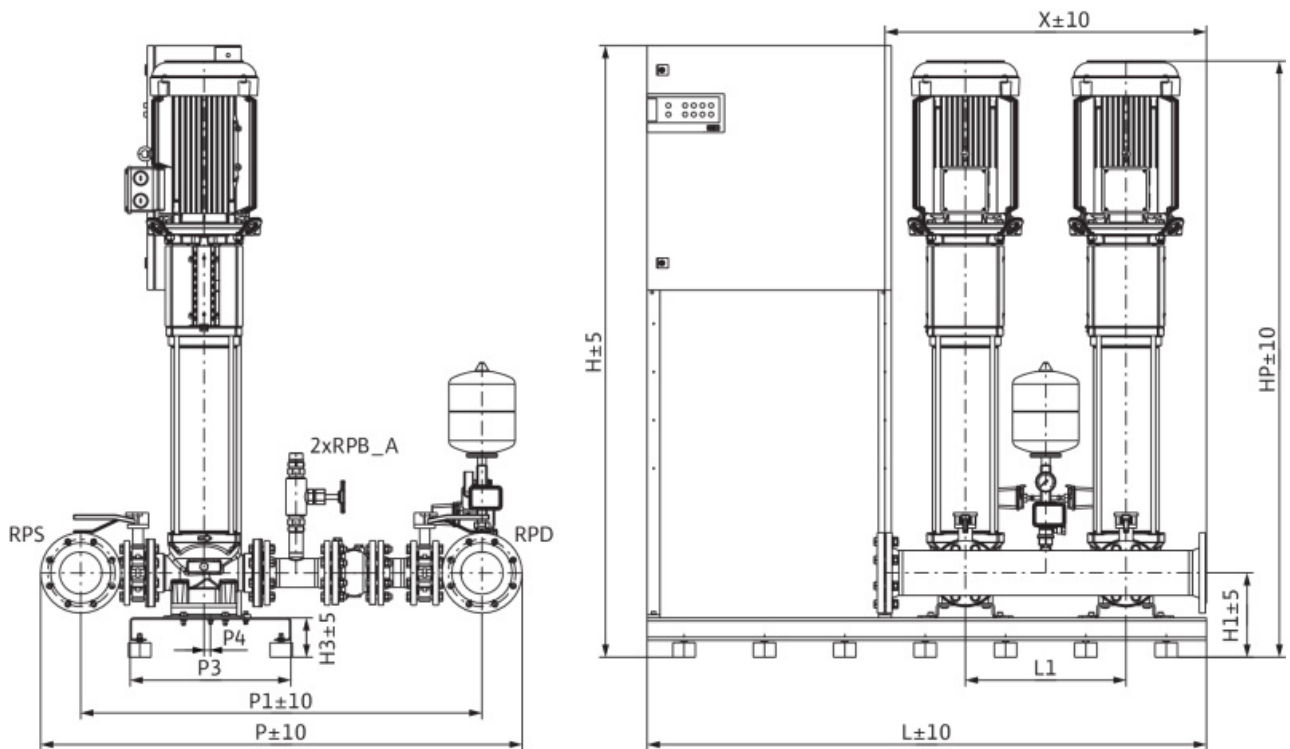
## Dimensions

Fire-extinguishing system  
FLA-2 Helix V 5203/2/K-02 PN10

Project ID                      Untitled project 2025-03-03 14:15:38.327

Project name  
Installation location  
Customer pos. No.

Date                      2025-03-03



**Standard**

Suction side                      DN 125, PN 10/PN 16  
Discharge side                      DN 125, PN 10/PN 16

**Dimensions**                      mm

Name	Value	Name	Value	Name	Value	Name	Value
H	1,905	P	1,498				
H1	265	P1	1,248				
H3	125	P3	500				
HP	1,224	P4	0				
HS	760	RPB_A	R 1 ¼				
L	1,740	RPD	DN 125, PN 16				
L1	500	RPS	DN 125, PN 10				