

Customer

Technical data

Multi-pump system

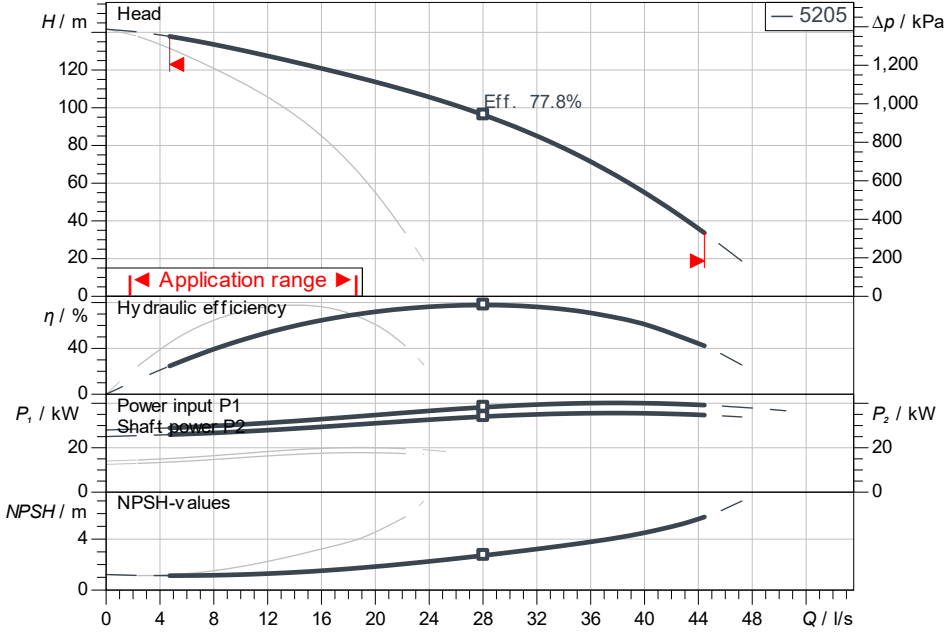
SiBoost Smart FC 2 Helix V 5205

Project ID: Untitled project 2025-03-04 01:04:54.425

Project name
Installation location
Customer pos. No.

Date: 2025-03-04

Duty chart



Requested data

Flow	
Head	
Media	Water 100 %
Fluid temperature	20.00 °C
Density	998.30 kg/m ³
Kin. viscosity	1.00 mm ² /s

Hydraulic data (Duty point)

Flow	
Head	
Shaft power P2	

Product data

Multi-pump system
SiBoost Smart FC 2 Helix V 5205

No. of pumps	2
Max. operating pressure	1,600 kPa
Inlet pressure max.	1,000
Fluid temperature	3 °C ... +50 °C
Max. ambient temperature	40 °C
Protection class system	IP55
Protection class of switchgear	IP54
Diaphragm pressure vessel	Yes
Low-water cut-out switchgear	No

Motordata per Motor/Pump

Motor efficiency level	IE3
Mains connection	3~ 400 V / 50 Hz
Permitted voltage tolerance	+/- 10 %
Rated speed	2,900 1/min
Rated power P2	18.50 kW
Rated current	32.80 A
Power factor	0.89
Efficiency	
50% / 75% / 100%	91.6/92.5/92.4%
Degree of protection	IP55
Insulation class	F
Motor protection	Yes

Fitting dimensions

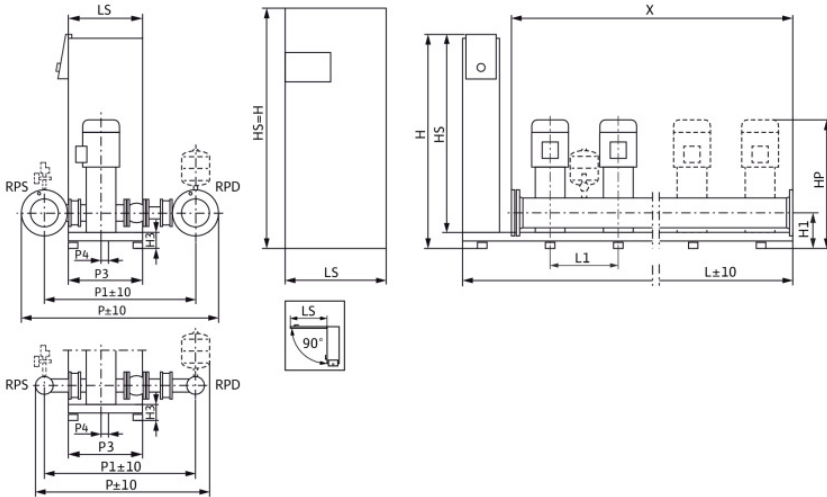
Pipe connection on the suction side	DN 125, PN 10
Pipe connection (pressure side)	DN 125, PN 16

Materials

Pump housing	5.1301/EN-GJL-250
Impeller	1.4307
Shaft	1.4057
Shaft seal	Q1BE3GG
Gasket material	EPDM
Pipework material	1.4307

Information for order placements

Weight approx.	782 kg
Item number	2540853



Dimensions

mm

DNd	DN 125,	H3	125	LS	800	X	1,000
DNs	DN 125,	HP	1,683	P	1,286		
H	1,900	HS	1,900	P1	1,036		
H1	265	L	1,080	P3	500		
H2	415	L1	500	P4	0		

Contact
E-mail
Phone

Customer

Contact
E-mail
Phone

Dimensions

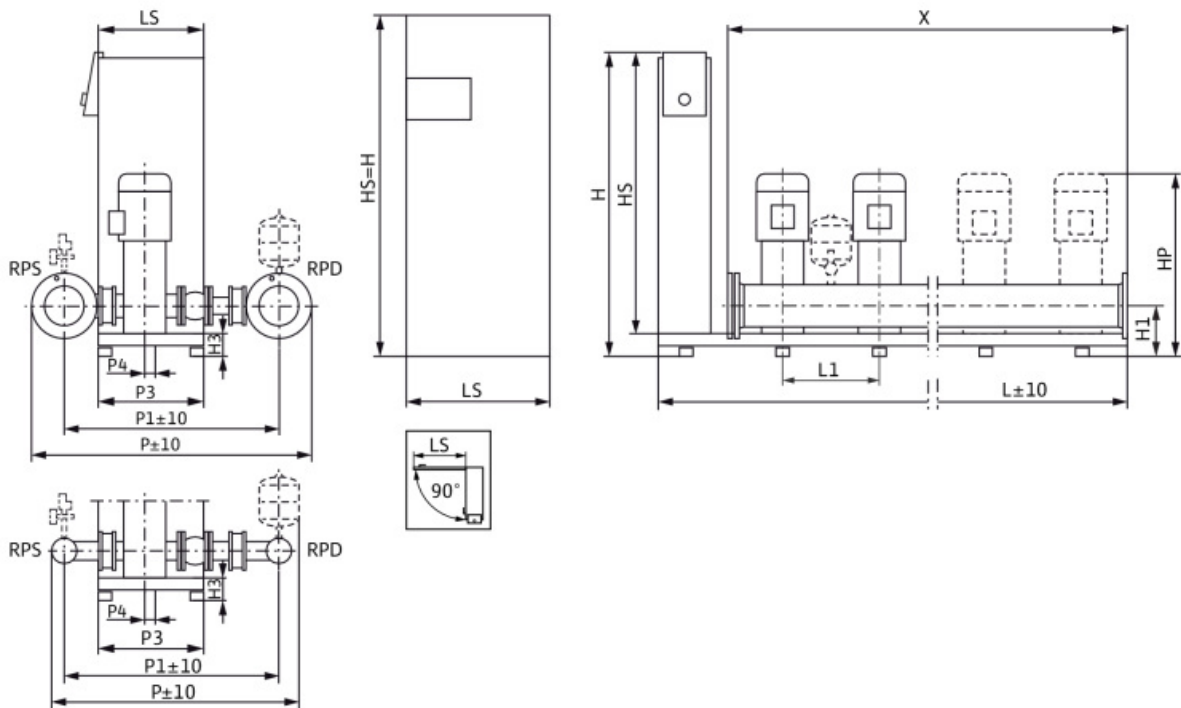
Multi-pump system

SiBoost Smart FC 2 Helix V 5205

Project ID Untitled project 2025-03-04 01:04:54.425

Project name
Installation location
Customer pos. No.

Date 2025-03-04



Standard

Suction side DN 125, PN 10/PN 16
Discharge side DN 125, PN 10/PN 16

Dimensions mm

Name	Value	Name	Value	Name	Value	Name	Value
DNd	DN 125, PN 16	HS	1,900	P4	0		
DNs	DN 125, PN 10	L	1,080	X	1,000		
H	1,900	L1	500				
H1	265	LS	800				
H2	415	P	1,286				
H3	125	P1	1,036				
HP	1,683	P3	500				