

Customer

Technical data

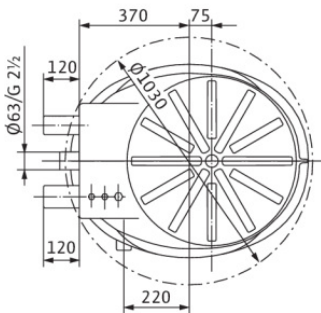
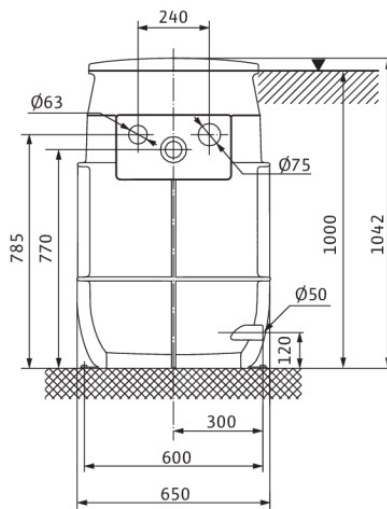
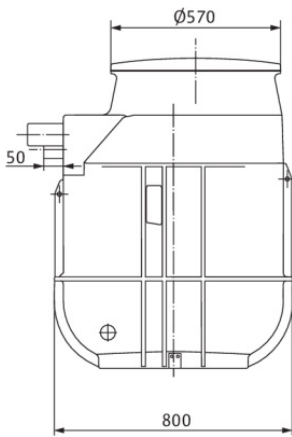
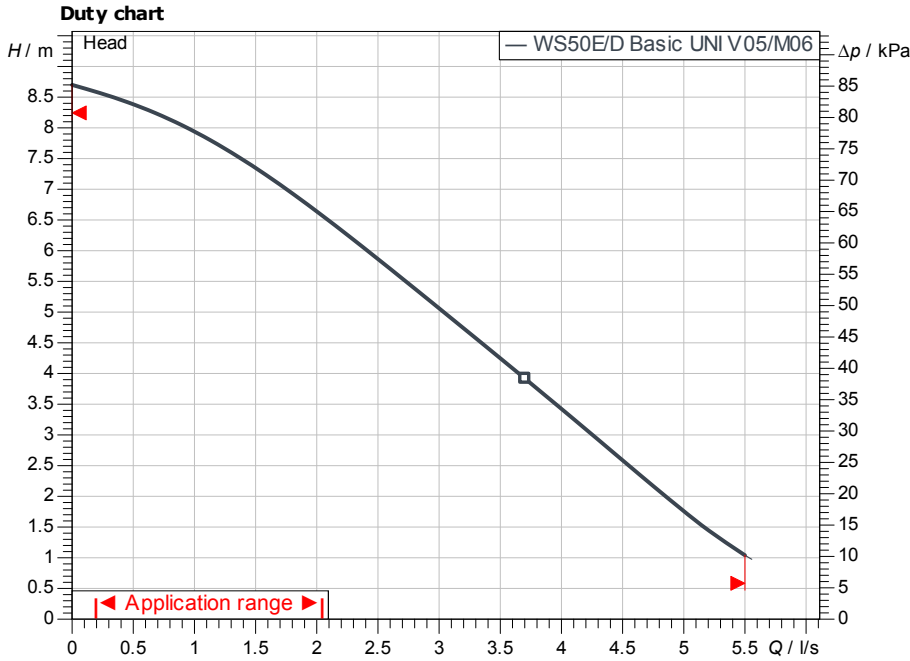
Pumps station

DrainLift WS 50E BASIC/UNI V05/M06-523

Project ID Untitled project 2025-03-03 10:07:43.452

Project name
Installation location
Customer pos. No.

Date 2025-03-03



Requested data

Flow	
Head	
Media	Water 100 %
Fluid temperature	20.00 °C
Density	998.30 kg/m ³
Kin. viscosity	1.00 mm ² /s

Hydraulic data (Duty point)

Flow
Head

Product data

Pumps station	
DrainLift WS 50E BASIC/UNI V05/M06-523	
No. of pumps	1
Max. operating pressure	99 kPa
Fluid temperature	3 °C ... +40 °C
Grinder	No
Operating mode (non-immersed)	S2-15 min, S3-10%
Gross volume	255 l
Max. switching volume	75 l
Max. sound pressure level	
Free ball passage	40 mm

Motordata per Motor/Pump

Mains connection	1~ 230 V / 50 Hz
Permitted voltage tolerance	+10 %
Nominal speed	2,859 1/min
Rated power P2	0.55 kW
Power input P1	0.82 kW
Rated current	4.20 A
Activation type	-
Degree of protection	IP68
Motor protection	Bimetal
Insulation class	F
Schaltspiel	60

Cable

Length of connecting cable	10 m
Mains plug	CEE 7/7 (Schuko)
Type of connection cable	Detachable
Cable type	H07RN-F
Cable cross section	3G1

Fitting dimensions

Venting	Ø 75
Pipe connection on the suction side	DN100 / DN150
Pipe connection (pressure side)	Ø63/G2½"A

Materials

Tank	PE
Pump housing	PP-GF30
Impeller	PP-GF30
Shaft	1.4401
Motor housing	1.4301
Gasket material	NBR

Information for order placements

Weight approx.	52 kg
Item number	2547603

Contact
E-mail
Phone

Customer

Contact
E-mail
Phone

Dimensions

Pumps station

DrainLift WS 50E BASIC/UNI V05/M06-523

Project ID

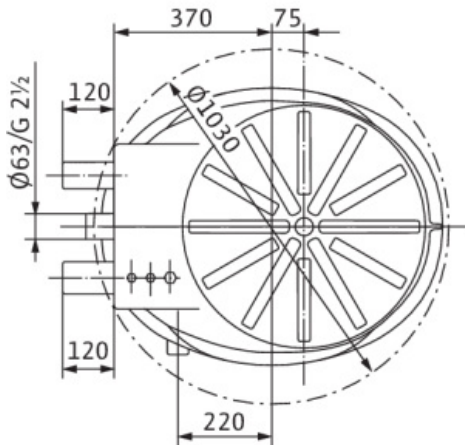
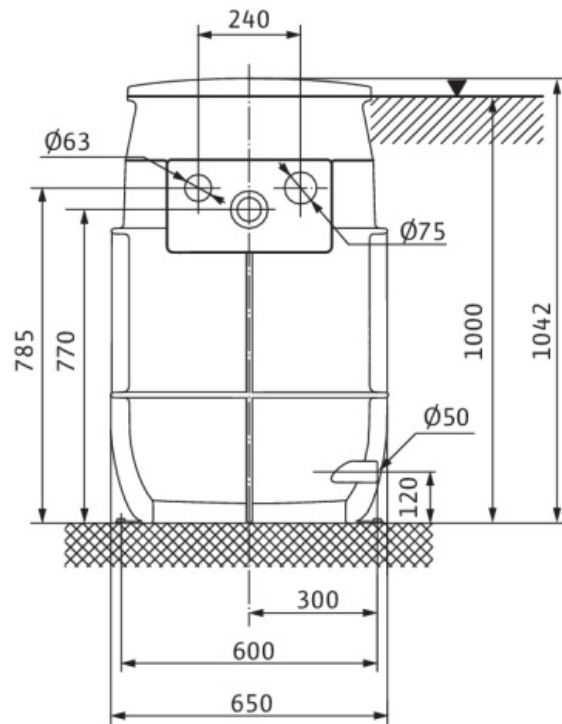
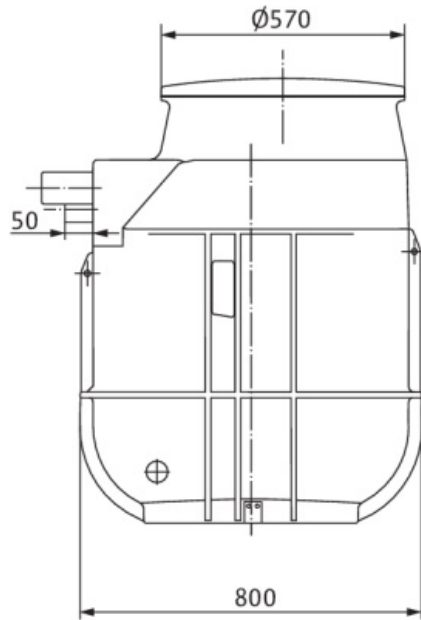
Untitled project 2025-03-03 10:07:43.452

Project name

Installation location

Customer pos. No.

Date 2025-03-03



Standard

Suction side DN100 / DN150, -/PN 1,5

Discharge side Ø63/G2 1/2"A, -/PN 1,5

Dimensions mm

Name	Value	Name	Value	Name	Value	Name	Value
------	-------	------	-------	------	-------	------	-------