



Contact  
E-mail  
Phone

**Customer**

Contact  
E-mail  
Phone

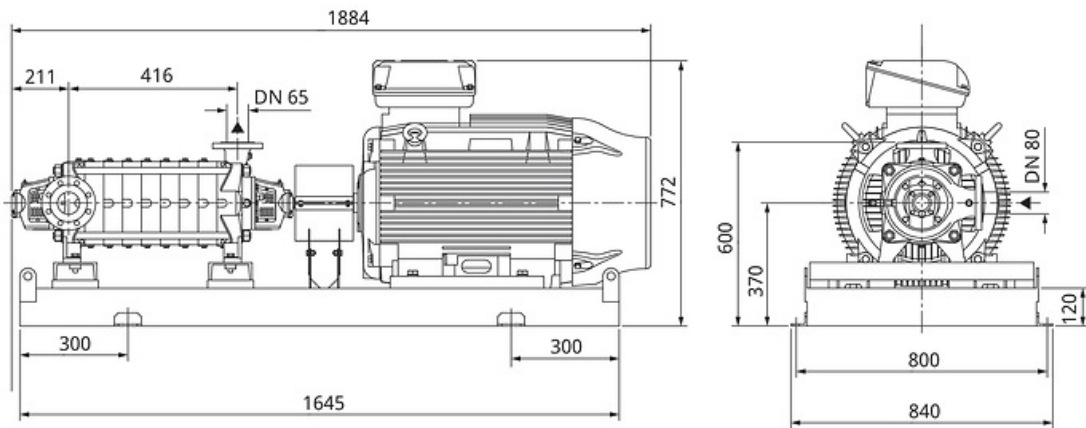
## Dimensions

High-pressure multistage centrifugal pump  
Zeox-FIRST H 9005-55-2

Project ID                      Untitled project 2025-03-04 09:37:01.987

Project name  
Installation location  
Customer pos. No.

Date                      2025-03-04



**Standard**

Suction side                      DN 80, PN 25/PN 63  
Discharge side                      DN 65, PN 25/PN 63

**Dimensions**                      mm

Name	Value	Name	Value	Name	Value	Name	Value
------	-------	------	-------	------	-------	------	-------