

Customer

Technical data

Multi-pump system

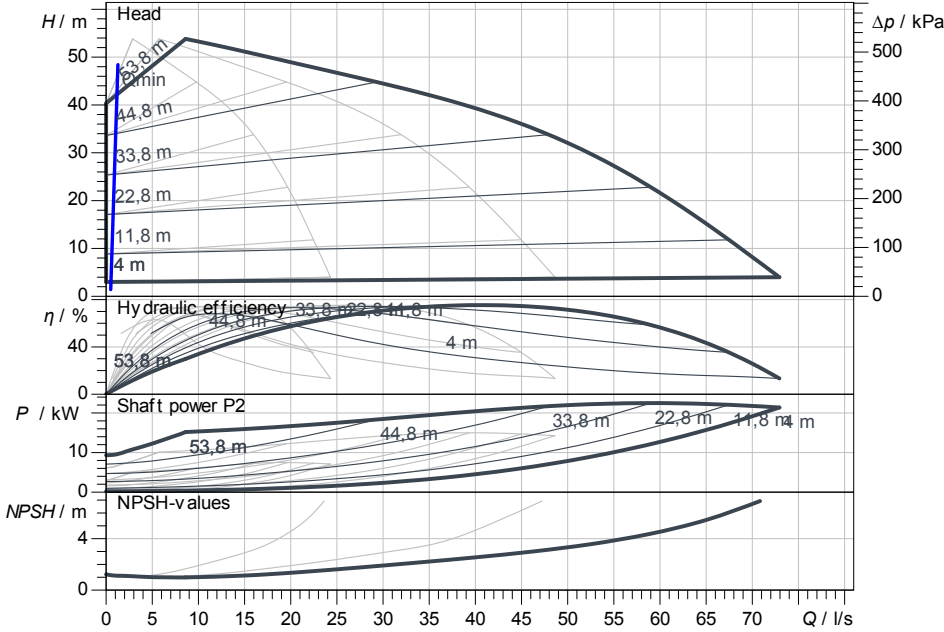
SiBoost2.0 Smart 3 Helix VE 5202

Project ID Untitled project 2025-03-17 06:38:35.502

Project name
Installation location
Customer pos. No.

Date 2025-03-17

Duty chart



Requested data

Flow
Head
Media Water 100 %
Fluid temperature 20.00 °C
Density 998.30 kg/m³
Kin. viscosity 1.00 mm²/s

Hydraulic data (Duty point)

Flow
Head
Shaft power P2

Product data

Multi-pump system
SiBoost2.0 Smart 3 Helix VE 5202
Control With frequency converter
No. of pumps 3
Max. operating pressure 1,600 kPa
Inlet pressure max. 10 bar
Fluid temperature 3 °C ... +50 °C
Max. ambient temperature 40 °C
Protection class motor IP55
Protection class of switchgear IP54
Diaphragm pressure vessel Yes
Low-water cut-out switchgear Yes

Motordata per Motor/Pump

Motor efficiency level IE5
Mains connection 3~ 400 V / 50 Hz
Permitted voltage tolerance 400/50: +/- 10%, 380/50
Max. speed
Rated power P2 7.50 kW
Rated current 14.90 A

Efficiency 50% / 75% / 100% 0/0/94.7%
Insulation class F
Motor protection Yes

Fitting dimensions

Pipe connection on the suction side DN 150, PN 10
Pipe connection (pressure side) DN 150, PN 16

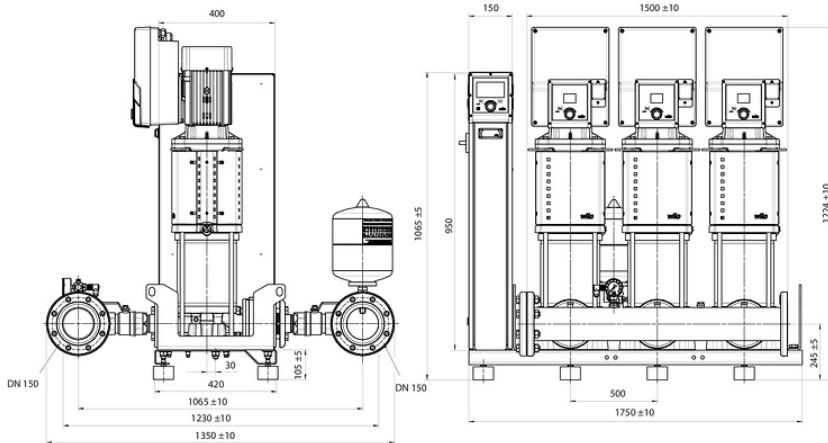
Materials

Pump housing 1.4301

Impeller 1.4307
Shaft 1.4301
Shaft seal BQ7EGG
Gasket material EPDM
Pipework material 1.4307

Information for order placements

Weight approx. 551 kg
Item number 7000640



Dimensions mm

L0 500

Contact
E-mail
Phone

Customer

Contact
E-mail
Phone

Dimensions

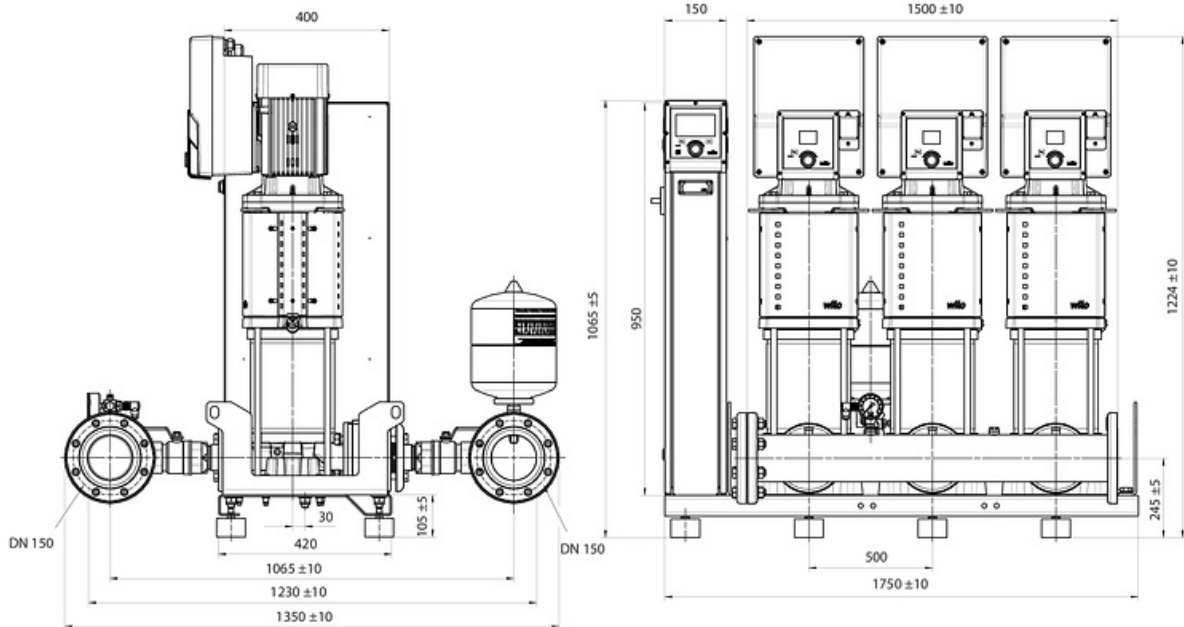
Multi-pump system

SiBoost2.0 Smart 3 Helix VE 5202

Project ID Untitled project 2025-03-17 06:38:35.502

Project name
Installation location
Customer pos. No.

Date 2025-03-17



Standard

Suction side DN 150, PN 10/PN 16
Discharge side DN 150, PN 10/PN 16

Dimensions mm

Name	Value	Name	Value	Name	Value	Name	Value
L0	500						