

**Customer**

# Technical data

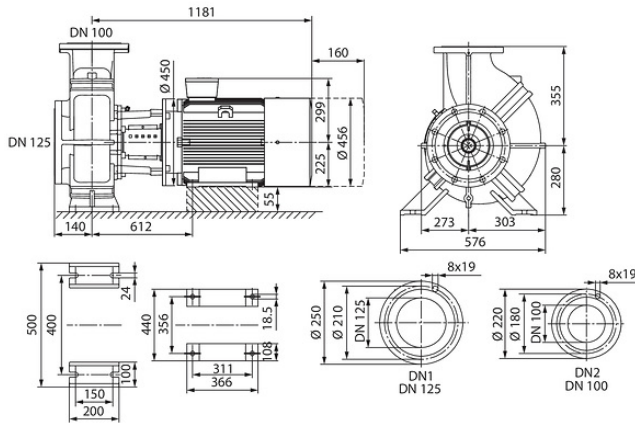
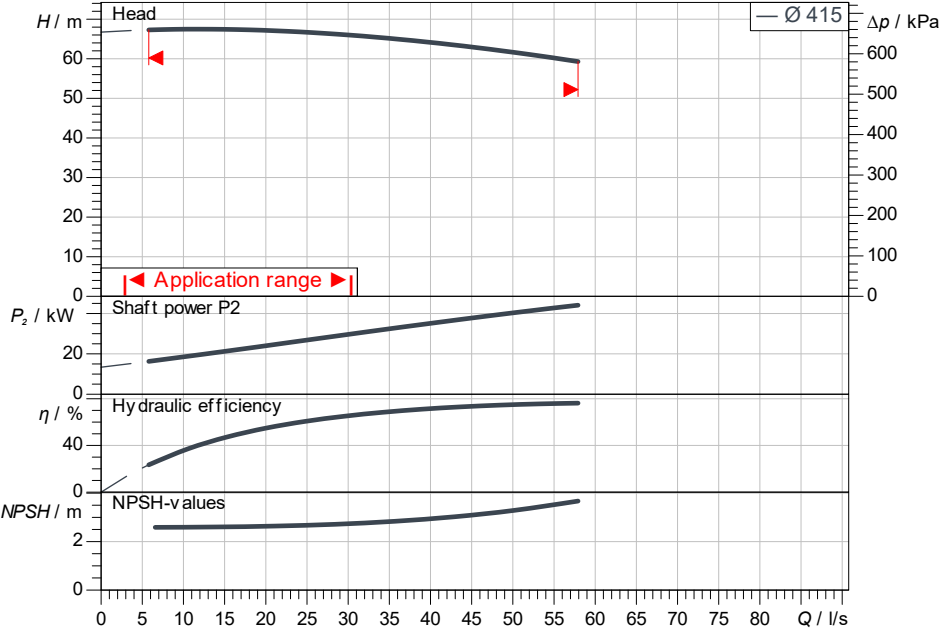
## Glanded monobloc pump Atmos GIGA-B 100/400-45/4-P6

Project ID: Untitled project 2025-03-01 17:45:51.999

Project name  
Installation location  
Customer pos. No.

Date: 2025-03-01

### Duty chart



### Requested data

Flow	
Head	
Media	Water 100 %
Fluid temperature	20.00 °C
Density	998.30 kg/m <sup>3</sup>
Kin. viscosity	1.00 mm <sup>2</sup> /s

### Hydraulic data (Duty point)

Flow	
Head	
Shaft power P <sub>2</sub>	
Hydraulic efficiency	
NPSH	

### Product data

Glanded monobloc pump	
Atmos GIGA-B 100/400-45/4-P6	
Max. operating pressure	1,600 kPa
Fluid temperature	-20 °C ... +140 °C
Max. ambient temperature	40 °C
Minimum efficiency index (MEI)	≥ 0.4

### Motordata per Motor/Pump

Motor efficiency level	IE3
Mains connection	3~ 400 V / 50 Hz
Permitted voltage tolerance	+ -10 %
Rated speed	1,450 1/min
Rated power P <sub>2</sub>	45.00 kW
Rated current	83.10 A
Power factor	0.83
Efficiency	50% / 75% / 100%
	91.6/ 93.1/ 93.7%
Degree of protection	IP55
Insulation class	F
Motor protection	PTC integrated

### Fitting dimensions

Pipe connection on the suction side	DN 125, PN 16
Pipe connection (pressure side)	DN 100, PN 16
Port to Port	-

### Materials

Pump housing	5.1301, EN-GJL-250 cataphoretic-coated
Impeller	EN-GJL-200
Lantern	5.1301/EN-GJL-250
Shaft	1.4122
Shaft seal	AQ1EGG

### Information for order placements

Weight approx.	613 kg
Item number	2216670

