

**Customer**

## Technical data

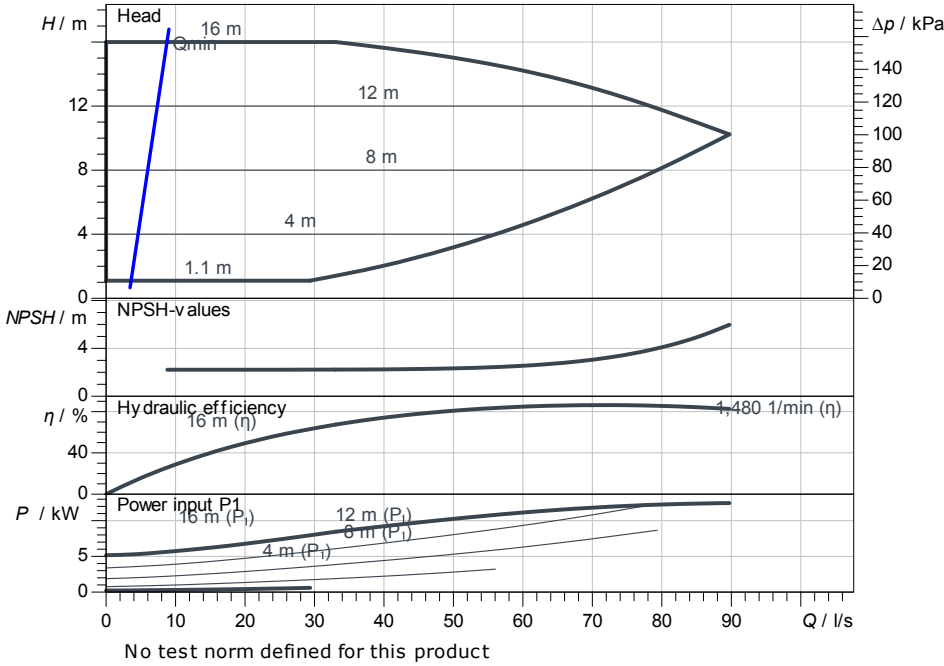
### Glanded standard high-efficiency pump Yonos GIGA-N 125/200-11/4-R1

Project ID: Untitled project 2025-03-04 09:37:01.987

Project name  
Installation location  
Customer pos. No.

Date: 2025-03-04

#### Duty chart



#### Requested data

Flow  
Head  
Media: Water 100 %  
Fluid temperature: 20.00 °C  
Density: 998.30 kg/m<sup>3</sup>  
Kin. viscosity: 1.00 mm<sup>2</sup>/s

#### Hydraulic data (Duty point)

Flow  
Head  
Shaft power P2  
Hydraulic efficiency  
NPSH  
Impeller size

#### Product data

Glanded standard high-efficiency pump  
Yonos GIGA-N 125/200-11/4-R1  
Max. operating pressure: 1,600 kPa  
Fluid temperature: -20 °C ... +140 °C  
Max. ambient temperature: 40 °C  
Minimum efficiency index (MEI): ≥ 0.4

#### Motordata per Motor/Pump

Motor efficiency level: IE4  
Mains connection: 3~ 400 V / 50 Hz  
Permitted voltage tolerance: +10 %  
Max. speed: 1,480 1/min  
Rated power P2: 11.00 kW  
Rated current: 19.50 A  
Power factor: 0.93  
Efficiency: 50% / 75% / 100% // %  
Degree of protection: IP55  
Insulation class: F  
Motor protection: PTC integrated

#### Fitting dimensions

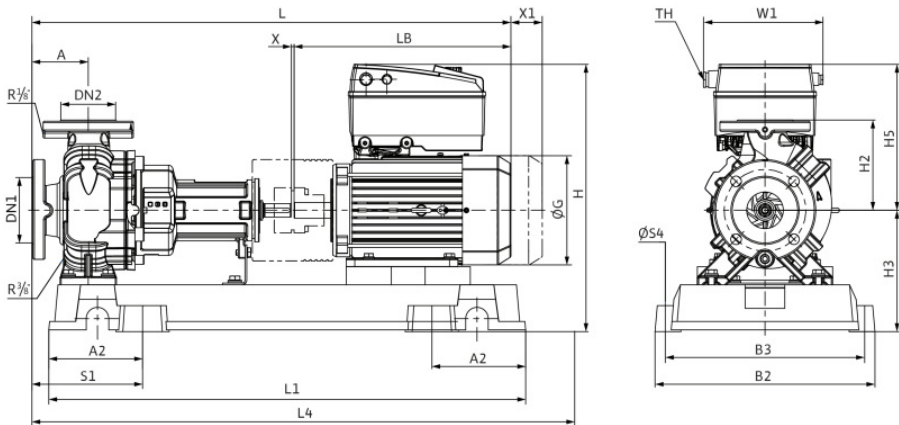
Pipe connection on the suction side: DN 150, PN 16  
Pipe connection (pressure side): DN 125, PN 16  
Port to Port

#### Materials

Pump housing: 5.1301/EN-GJL-250  
Impeller: EN-GJL-200  
Lantern: 5.1301/EN-GJL-250  
Shaft: 1.4021  
Shaft seal: AQ1EGG

#### Information for order placements

Weight approx.: 398 kg  
Item number: 6089004



#### Dimensions

mm

A	140	DN1	DN 150,	H5	525	L3	940
A2	250	DN2	DN 125,	HH	531	L4	1,470
B1	0	H	878	L	1,436	LB	686.5
B2	610	H2	315	L1	1,440	LL	441
B3	550	H3	353	L2	250	ØG	355



Contact  
E-mail  
Phone

**Customer**

Contact  
E-mail  
Phone

## Hydraulic data

Glanded standard high-efficiency pump  
Yonos GIGA-N 125/200-11/4-R1

Project ID: Untitled project 2025-03-04 09:37:01.987

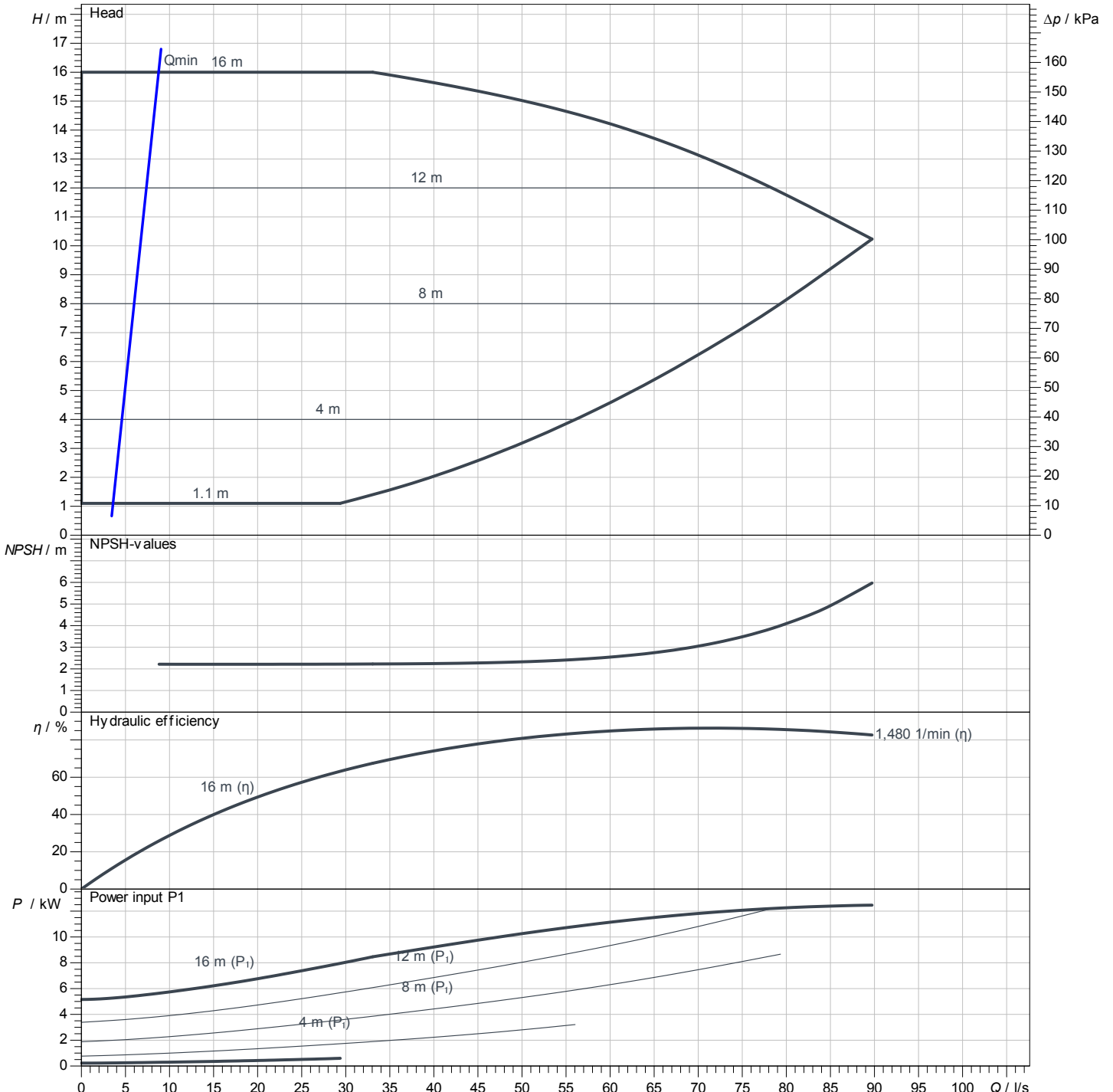
Project name  
Installation location  
Customer pos. No.

Date 2025-03-04

### Operating data

Rotational speed <b>1480 1/min</b>	Frequency <b>50 Hz</b>	Duty point <b>Q =</b>	<b>H =</b>	Suction port <b>DN 150</b>	Discharge port <b>DN 125</b>
---------------------------------------	---------------------------	--------------------------	------------	-------------------------------	---------------------------------

Power data referred to: Water; 20°C; 998.3kg/m<sup>3</sup>; 1.005mm<sup>2</sup>/s ±10 % tolerance with linear U/f frequency control



No test norm defined for this product

Contact  
E-mail  
Phone

**Customer**

Contact  
E-mail  
Phone

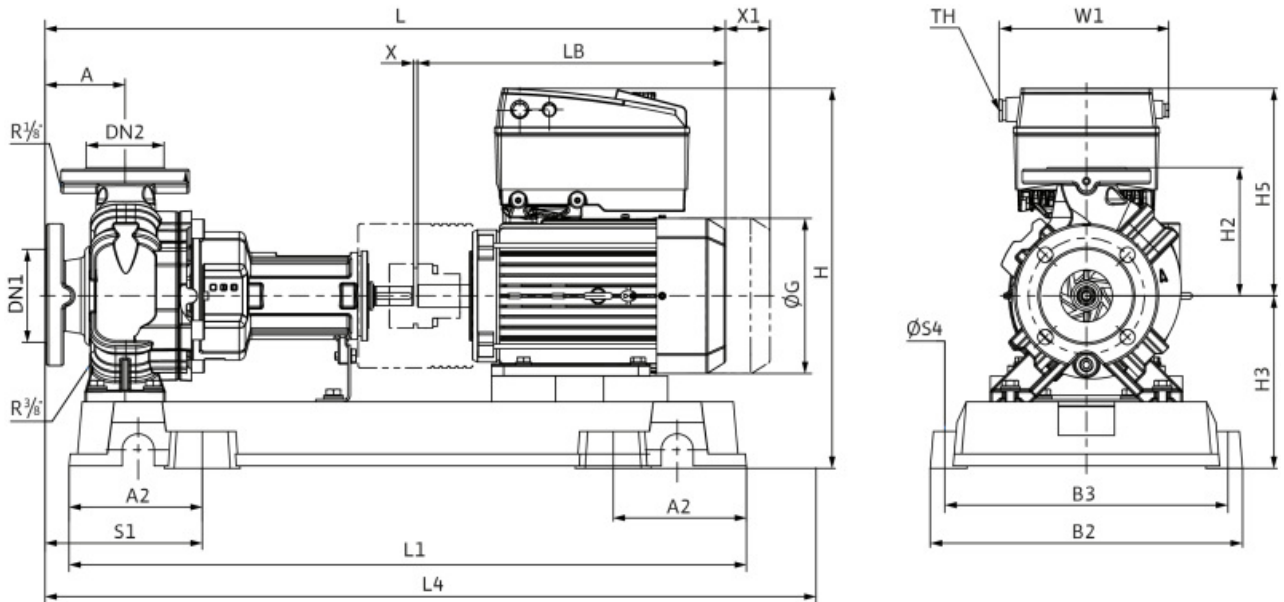
## Dimensions

Glanded standard high-efficiency pump  
Yonos GIGA-N 125/200-11/4-R1

Project ID                      Untitled project 2025-03-04 09:37:01.987

Project name  
Installation location  
Customer pos. No.

Date                      2025-03-04



Coupling with spacer

Suction side                      DN 150, PN 16  
Discharge side                      DN 125, PN 16

**Dimensions**                      mm

Name	Value	Name	Value	Name	Value	Name	Value
A	140	H	878	L2	250	S4	29
A2	250	H2	315	L3	940	W1	307.6
B1	0	H3	353	L4	1,470	X	140
B2	610	H5	525	LB	686.5	X1	100
B3	550	HH	531	LL	441		
DN1	DN 150, PN 16	L	1,436	ØG	355		
DN2	DN 125, PN 16	L1	1,440	S1	280		