

Customer

Technical data

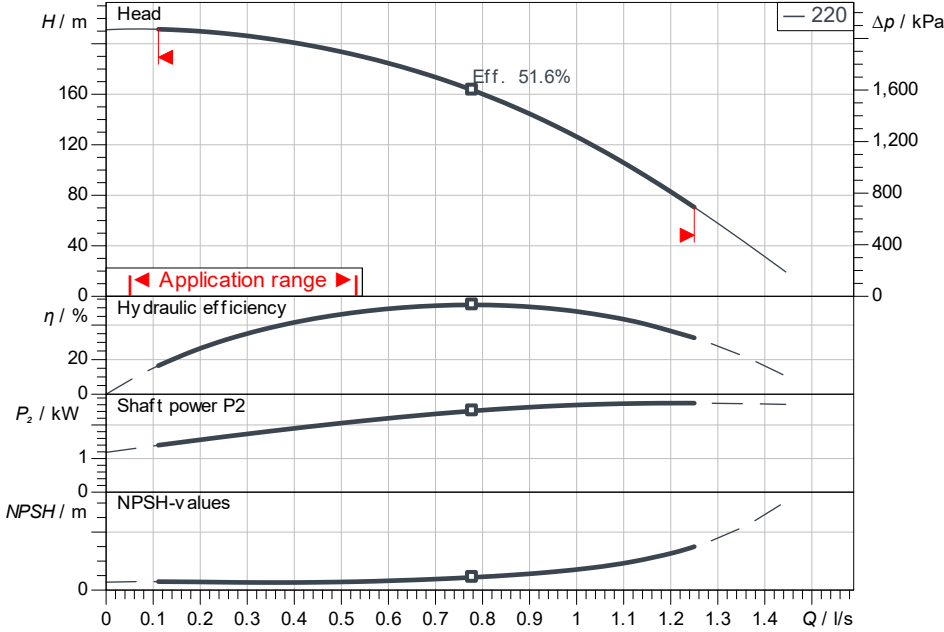
High-pressure multistage centrifugal pump Helix FIRST V 220-5/30/E/KS/460-60

Project ID: Untitled project 2025-03-05 07:27:14.016

Project name
Installation location
Customer pos. No.

Date: 2025-03-05

Duty chart

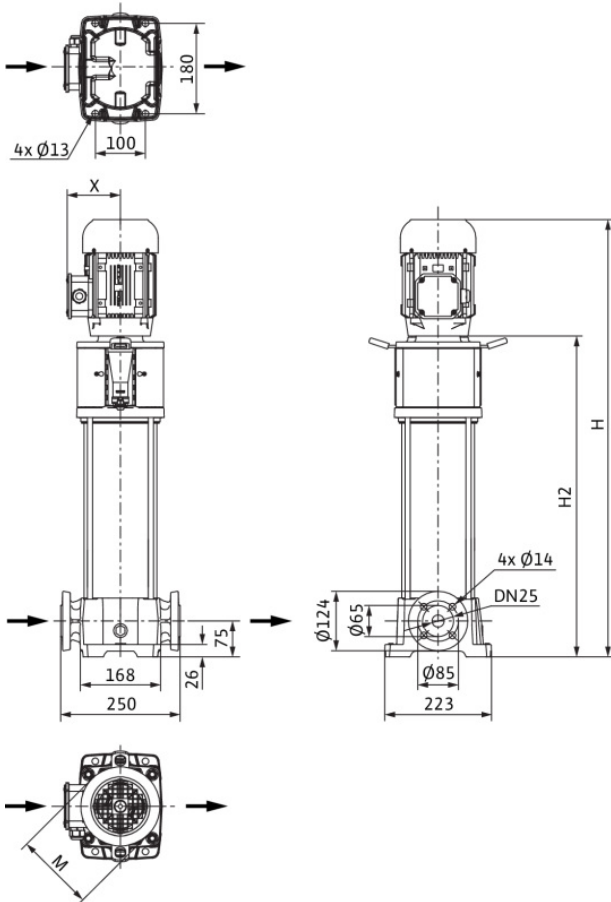


ISO 9906: 2012 3B

Dimensions

H	1,13
H2	843
X	146

mm



Requested data

Flow	
Head	
Media	Water 100 %
Fluid temperature	20.00 °C
Density	998.30 kg/m ³
Kin. viscosity	1.00 mm ² /s

Hydraulic data (Duty point)

Flow	
Head	
Shaft power P ₂	
Hydraulic efficiency	
NPSH	

Product data

High-pressure multistage centrifugal pump Helix FIRST V 220-5/30/E/KS/460-60	
Max. operating pressure	3,000 kPa
Inlet pressure max.	10 bar
Fluid temperature	-20 °C ... +120 °C
Max. ambient temperature	50 °C
Minimum efficiency index (MEI)	

Motordata per Motor/Pump

Motor efficiency level	
Mains connection	3~ 400 V / 60 Hz
Permitted voltage tolerance	+/- 10 %
Max. speed	2,914 1/min
Rated power P ₂	3.00 kW
Rated current	6.10 A
Power factor	0.8
Service factor	1.15
Efficiency	
50% / 75% / 100%	86.5/87.5/87.1%
Degree of protection	IP55
Insulation class	
Motor protection	PTC

Fitting dimensions

Pipe connection on the suction side	DN 25, PN 40
Pipe connection (pressure side)	DN 25, PN 40

Materials

Pump housing	5.1301/EN-GJL-250
Impeller	1.4307
Shaft	1.4301
Shaft seal	Q1BE3GG
Gasket material	EPDM

Information for order placements

Weight approx.	57 kg
Item number	4201061