

Customer

Technical data

Submersible sewage pump

Rexa FIT-V06-212A/21T011-540/O

Project ID

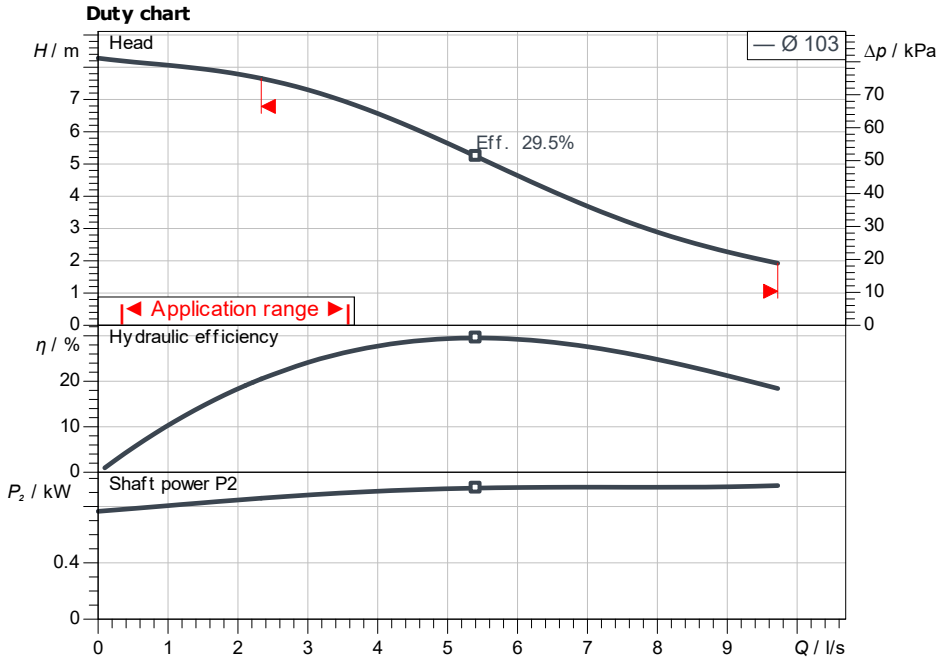
Untitled project 2025-03-04 01:04:54.425

Project name

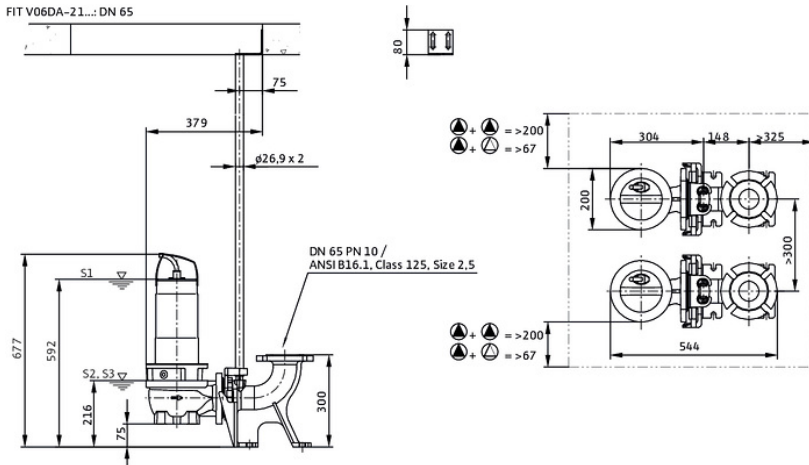
Installation location

Customer pos. No.

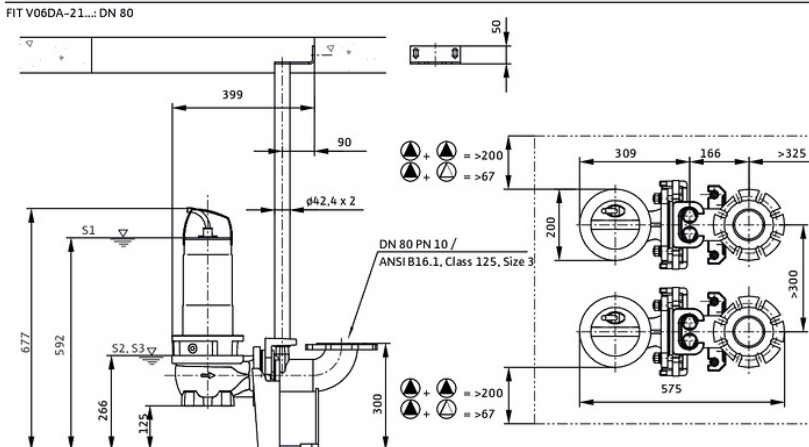
Date 2025-03-04



FIT V06DA-21... DN 65



FIT V06DA-21... DN 80



Requested data

Flow	
Head	
Media	Water 100 %
Fluid temperature	20.00 °C
Density	998.30 kg/m ³
Kin. viscosity	1.00 mm ² /s

Hydraulic data (Duty point)

Flow	
Head	
Power input P1	
Total efficiency	

Product data

Submersible sewage pump	
Rexa FIT-V06-212A/21T011-540/O	
Max. operating pressure	90 kPa
Fluid temperature	+ 3 °C ... 40 °C
Maximum submergence depth	7 m
Free ball passage	65 mm
Impeller type	Vortex impeller

Motordata per Motor/Pump

S 11.L-11/EAD1-2-T 1,1kW 40°C 400V 50Hz	
Type of motor	Submersible motor – su

Mains connection	3~ 400 V / 50 Hz
Permitted voltage tolerance	+ -10 %
Nominal speed	2,865 1/min
Rated power P2	1.10 kW
Power input P1	1.57 kW
Rated current	4.00 A
Activation type	Direct On Line (DOL)
Degree of protection	IP68
Explosion protection type	-
Motor protection	Bimetall
Insulation class	F
Operating mode (immersed)	S1
Operating mode (non-immersed)	S2-15 min, S3-10%

Cable

Length of connecting cable	10 m
Cable type	H07RN-F
Cable cross section	6G1
Mains plug	No
Type of connection cable	Detachable

Fitting dimensions

Pipe connection on the suction side	DN 65, PN 10
Pipe connection (pressure side)	DN 65/80, PN 10

Materials

Pump housing	5.1301/EN-GJL-250
Impeller	5.1301/EN-GJL-250
Shaft	1.4401
Sealing on pump side	QQPGG
Sealing on motor side	NBR
Gasket material	NBR
Motor housing	1.4301

Information for order placements

Weight approx.	35 kg
Item number	6098170