

**Customer**

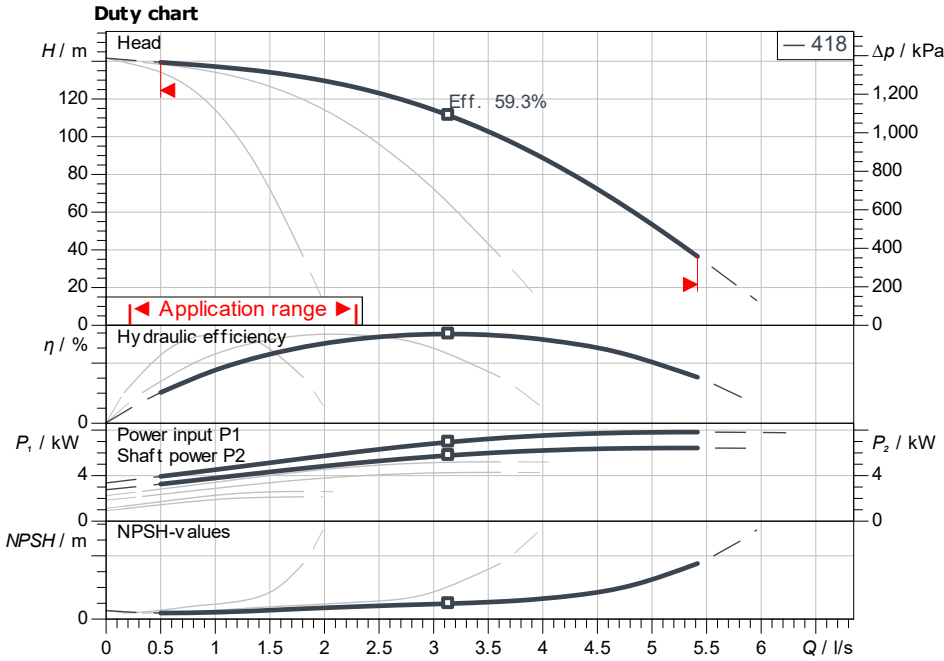
# Technical data

## Multi-pump system SiBoost Smart 3 Helix V 418

Project ID: Untitled project 2025-03-04 01:04:54.425

Project name  
Installation location  
Customer pos. No.

Date: 2025-03-04



**Requested data**

Flow  
Head  
Media: Water 100 %  
Fluid temperature: 20.00 °C  
Density: 998.30 kg/m<sup>3</sup>  
Kin. viscosity: 1.00 mm<sup>2</sup>/s

**Hydraulic data (Duty point)**

Flow  
Head  
Shaft power P2

**Product data**

Multi-pump system  
SiBoost Smart 3 Helix V 418

No. of pumps: 3  
Max. operating pressure: 1,600 kPa  
Inlet pressure max.: 1,000  
Fluid temperature: 3 °C ... +50 °C  
Max. ambient temperature: 40 °C  
Protection class system: IP55  
Protection class of switchgear: IP54  
Diaphragm pressure vessel: Yes  
Low-water cut-out switchgear: No

**Motordata per Motor/Pump**

Motor efficiency level: IE3  
Mains connection: 3~ 400 V / 50 Hz  
Permitted voltage tolerance: +-10 %  
Rated speed: 2,900 1/min  
Rated power P2: 2.20 kW  
Rated current: 4.30 A  
Power factor: 0.87  
Efficiency: 50% / 75% / 100%  
Degree of protection: IP55  
Insulation class: F  
Motor protection: Yes

**Fitting dimensions**

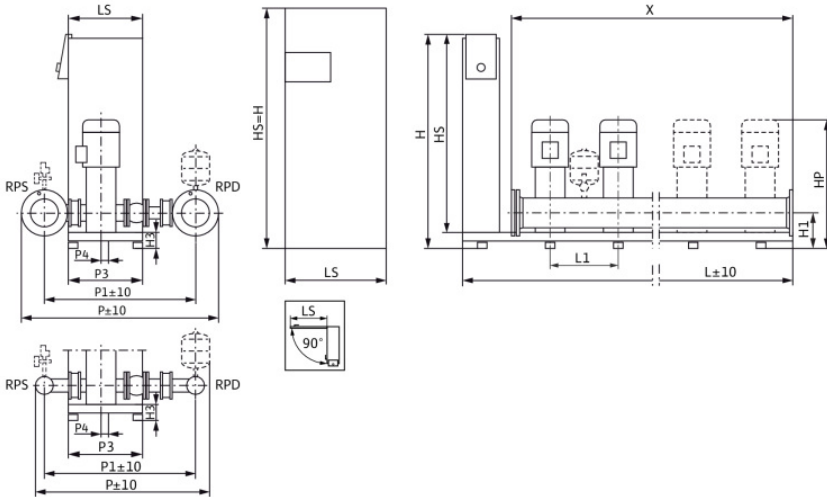
Pipe connection on the suction side: R 1 1/2, PN 10  
Pipe connection (pressure side): R 1 1/2, PN 16

**Materials**

Pump housing: 1.4301  
Impeller: 1.4307  
Shaft: 1.4301  
Shaft seal: Q1BE3GG  
Gasket material: EPDM  
Pipework material: 1.4307

**Information for order placements**

Weight approx.: 222 kg  
Item number: 2537569



| Dimensions |                | mm    |              |
|------------|----------------|-------|--------------|
| DNd        | R 1 1/2, PN H3 | 90    | LS 150 X 900 |
| DNs        | R 1 1/2, PN HP | 1,100 | P 694        |
| H          | 1,055          | HS    | 950          |
| H1         | 140            | L     | 1,150        |
| H2         | 244.2          | L1    | 300          |
|            |                | P3    | 420          |
|            |                | P4    | 30           |

Contact  
E-mail  
Phone

**Customer**

Contact  
E-mail  
Phone

## Dimensions

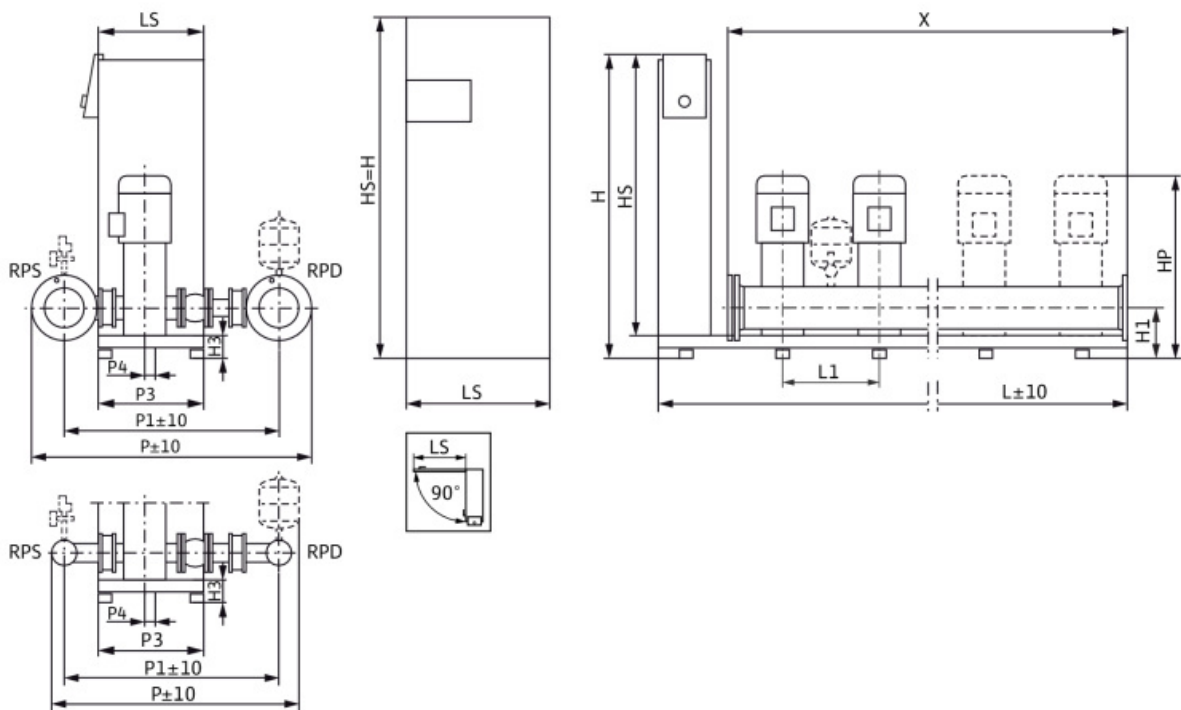
### Multi-pump system

#### SiBoost Smart 3 Helix V 418

Project ID                      Untitled project 2025-03-04 01:04:54.425

Project name  
Installation location  
Customer pos. No.

Date                      2025-03-04



**Standard**

Suction side                      R 1½, PN 10/PN 16  
Discharge side                      R 1½, PN 10/PN 16

**Dimensions**                      mm

| Name | Value       | Name | Value | Name | Value | Name | Value |
|------|-------------|------|-------|------|-------|------|-------|
| DNd  | R 1½, PN 16 | HS   | 950   | P4   | 30    |      |       |
| DNs  | R 1½, PN 10 | L    | 1,150 | X    | 900   |      |       |
| H    | 1,055       | L1   | 300   |      |       |      |       |
| H1   | 140         | LS   | 150   |      |       |      |       |
| H2   | 244.2       | P    | 694   |      |       |      |       |
| H3   | 90          | P1   | 561   |      |       |      |       |
| HP   | 1,100       | P3   | 420   |      |       |      |       |