

Customer

Technical data

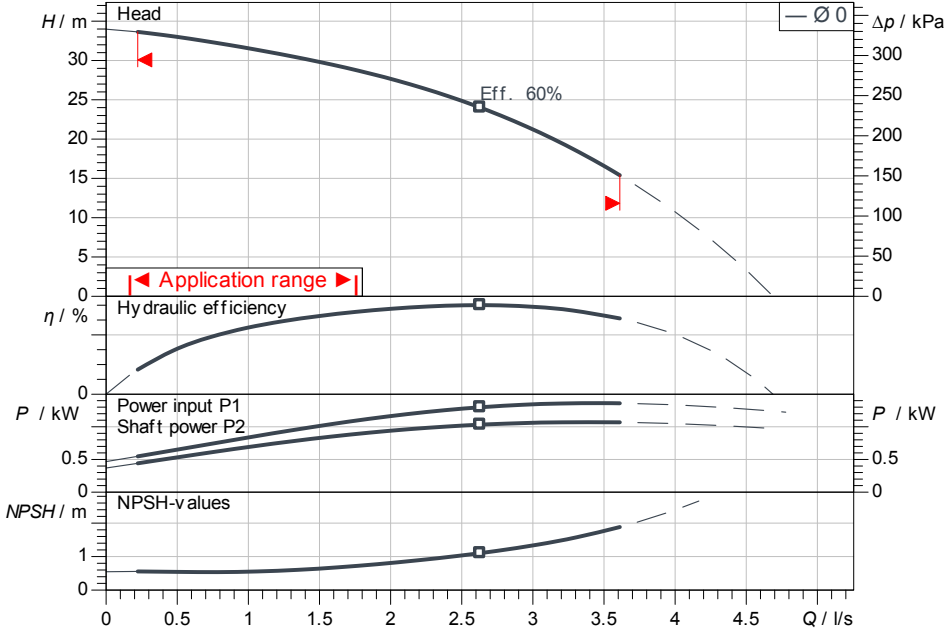
Non self-priming multistage centrifugal pump MHIL 903-E-3-400-50-2/IE3

Project ID: Untitled project 2025-03-03 10:52:49.529

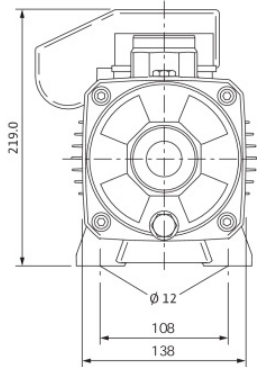
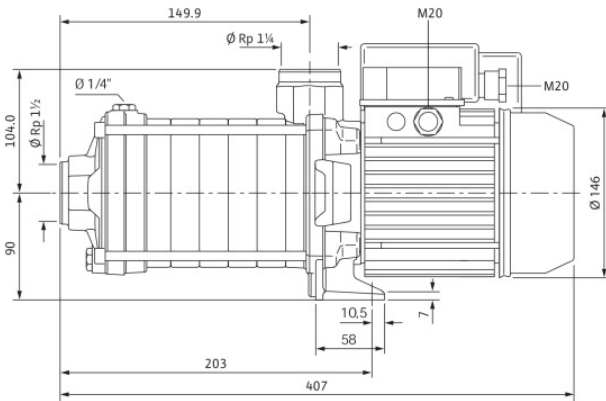
Project name
Installation location
Customer pos. No.

Date: 2025-03-03

Duty chart



ISO 9906: 2012 3B



Requested data

Flow
Head
Media: Water 100 %
Fluid temperature: 20.00 °C
Density: 998.30 kg/m³
Kin. viscosity: 1.00 mm²/s

Hydraulic data (Duty point)

Flow
Head
Shaft power P2
Hydraulic efficiency
NPSH

Product data

Non self-priming multistage centrifugal pump
MHIL 903-E-3-400-50-2/IE3
Max. operating pressure: 1,000 kPa
Inlet pressure max.: 6 bar
Fluid temperature: -15 °C ... +90 °C
Max. ambient temperature: 40 °C

Motordata per Motor/Pump

Motor efficiency level: IE3
Mains connection: 3~ 400 V / 50 Hz
Permitted voltage tolerance: + -10 %
Max. speed: 2,900 1/min
Rated power P2: 1.10 kW
Rated current: 2.80 A
Power factor: 0.83
Efficiency: 50% / 75% / 100% → 81.5/82.7/82.7%
Degree of protection: IP54
Insulation class: F
Motor protection

Fitting dimensions

Pipe connection on the suction side: Rp 1 1/2, PN 10
Pipe connection (pressure side): Rp 1 1/4, PN 10

Materials

Pump housing: 5.1301/EN-GJL-250
Impeller: 1.4301
Shaft: 1.4301
Shaft seal: Q1BE3GG
Gasket material: EPDM

Information for order placements

Weight approx.: 16.8 kg
Item number: 4210667

Dimensions

mm