

Customer

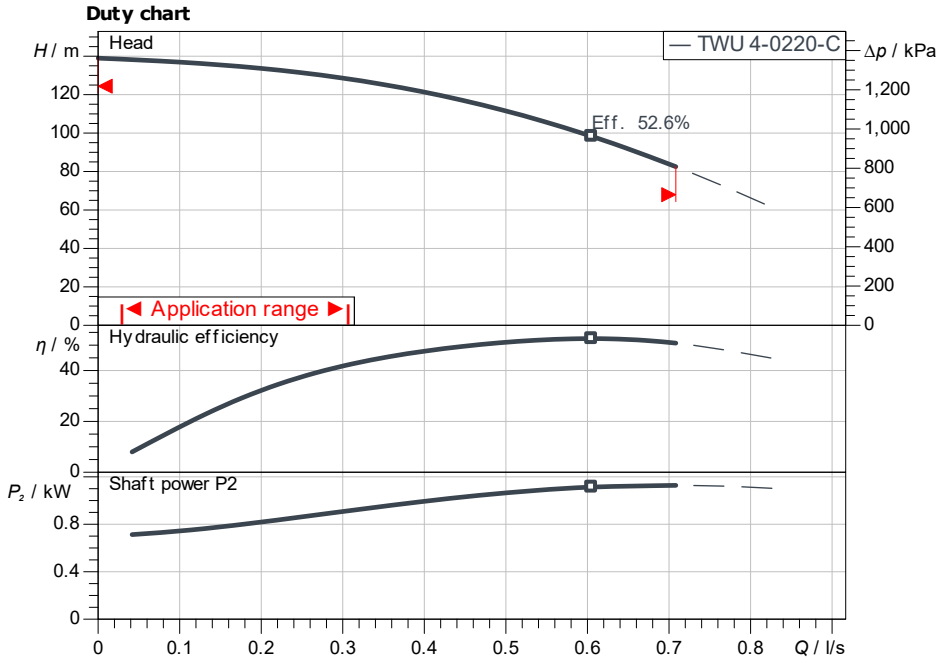
Technical data

Submersible pump Sub TWU 4.02-20-DM-C

Project ID Untitled project 2025-03-17 08:16:17.345

Project name
Installation location
Customer pos. No.

Date 2025-03-17



Requested data

Flow	
Head	
Media	Water 100 %
Fluid temperature	20.00 °C
Density	998.30 kg/m ³
Kin. viscosity	1.00 mm ² /s

Hydraulic data (Duty point)

Flow	
Head	
Shaft power P2	
Hydraulic efficiency	
Power input P1	

Product data

Submersible pump	
Sub TWU 4.02-20-DM-C	
Max. operating pressure	1,530 kPa
Fluid temperature	3 °C ... +30 °C
Minimum efficiency index (MEI)	≥ 0.7
Max. pump diameter	98 mm

Motordata per Motor/Pump

Mains connection	3~400 V / 50 Hz
Type of motor	Submersible motor
Activation type	Direct On Line (DOL)
Min. flow at the motor	0.08 m/s
Motor diameter	97 mm
Permitted voltage tolerance	+5 %
Nominal speed	2,840 1/min
Rated power P2	1.10 kW
Rated current	2.95 A
Power factor	0.76
Degree of protection	IP68
Insulation class	B

Cable

Length of connecting cable	1.75 m
Cable type	4G1,5

Fitting dimensions

Discharge size	Rp 1 1/4
Flange standard	-

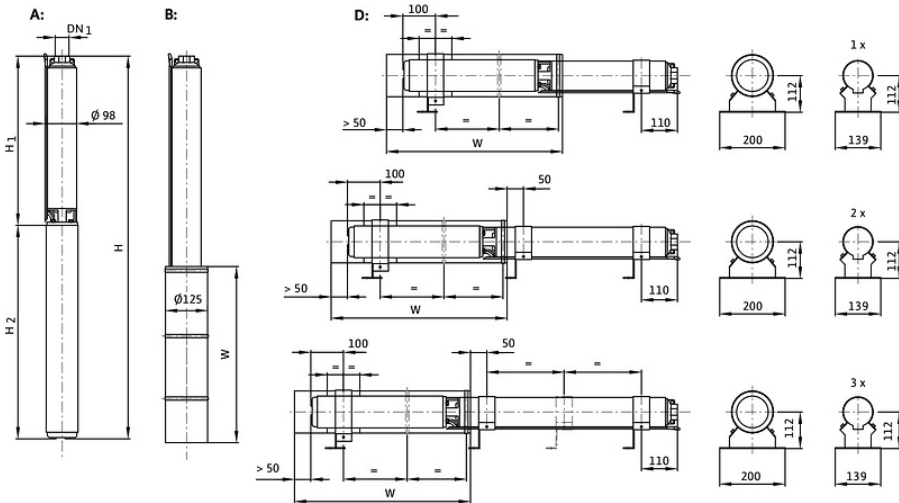
Materials

Pump housing	1.4301
Motor housing	1.4301
Shaft	1.4104
Impeller	PPE

Information for order placements

Weight approx.	15.8 kg
Item number	6049347

Approval



Dimensions

		mm	
H	794	W	500
H1	499		
H2	295		
H2	295		