

Customer

Technical data

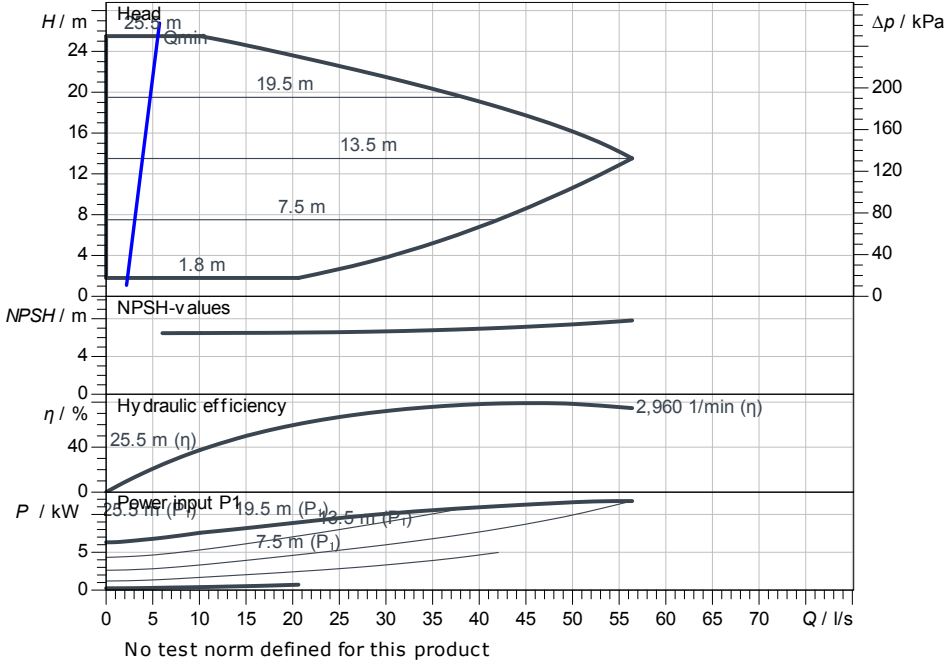
Glanded standard high-efficiency pump Yonos GIGA-N 80/160-11/2-R1

Project ID: Untitled project 2025-03-04 09:37:01.987

Project name
Installation location
Customer pos. No.

Date: 2025-03-04

Duty chart



Requested data

Flow
Head
Media: Water 100 %
Fluid temperature: 20.00 °C
Density: 998.30 kg/m³
Kin. viscosity: 1.00 mm²/s

Hydraulic data (Duty point)

Flow
Head
Shaft power P₂
Hydraulic efficiency
NPSH
Impeller size

Product data

Glanded standard high-efficiency pump
Yonos GIGA-N 80/160-11/2-R1
Max. operating pressure: 1,600 kPa
Fluid temperature: -20 °C ... +140 °C
Max. ambient temperature: 40 °C
Minimum efficiency index (MEI): ≥ 0.4

Motordata per Motor/Pump

Motor efficiency level: IE4
Mains connection: 3~ 400 V / 50 Hz
Permitted voltage tolerance: +10 %
Max. speed: 2,950 1/min
Rated power P₂: 11.00 kW
Rated current: 18.60 A
Power factor: 0.92
Efficiency: 50% / 75% / 100% // %
Degree of protection: IP55
Insulation class: F
Motor protection: PTC integrated

Fitting dimensions

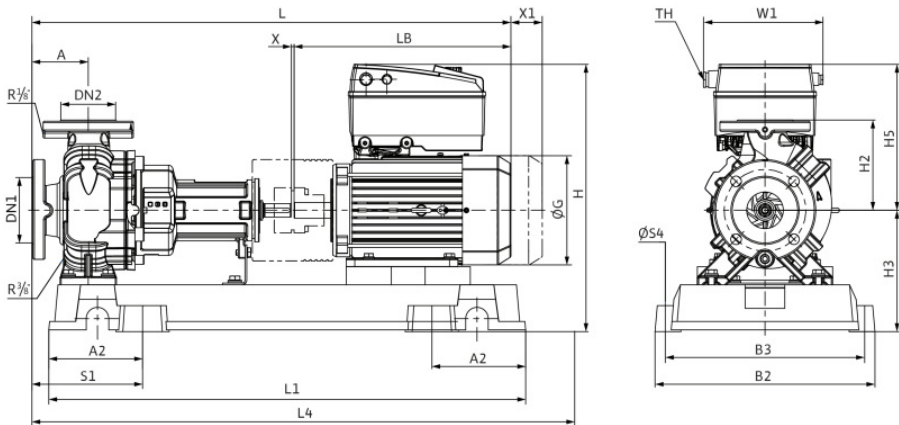
Pipe connection on the suction side: DN 100, PN 16
Pipe connection (pressure side): DN 80, PN 16
Port to Port

Materials

Pump housing: 5.1301/EN-GJL-250
Impeller: EN-GJL-200
Lantern: 5.1301/EN-GJL-250
Shaft: 1.4021
Shaft seal: AQ1EGG

Information for order placements

Weight approx.: 264 kg
Item number: 6088970



Dimensions

mm

A	125	DN1	DN 100,	H5	505	L3	840
A2	205	DN2	DN 80, P	HH	515	L4	1,185
B1	0	H	788	L	1,252	LB	627
B2	490	H2	225	L1	1,150	LL	441
B3	440	H3	283	L2	225	ØG	313



Contact
E-mail
Phone

Customer

Contact
E-mail
Phone

Hydraulic data

Glanded standard high-efficiency pump
Yonos GIGA-N 80/160-11/2-R1

Project ID Untitled project 2025-03-04 09:37:01.987

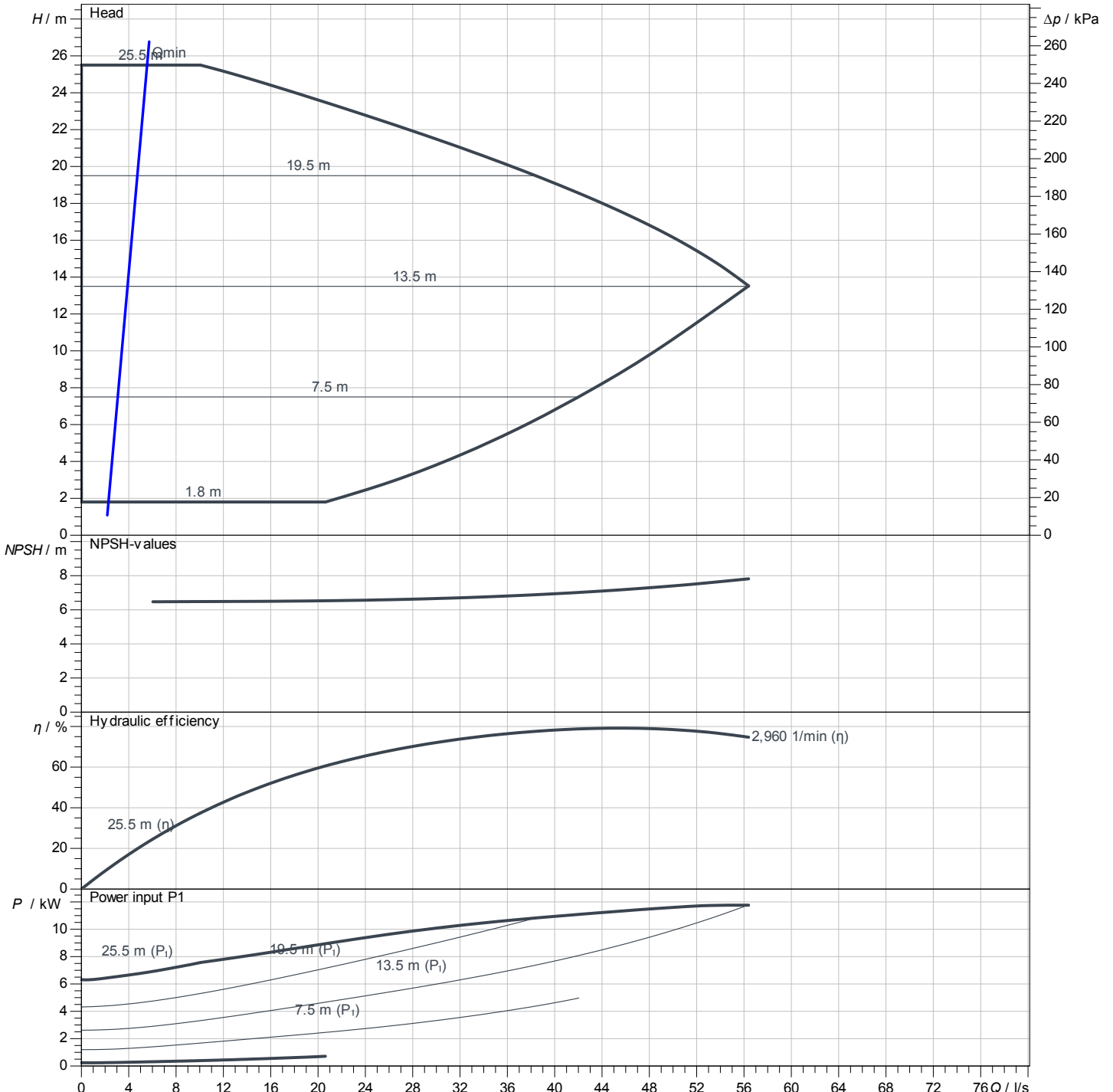
Project name
Installation location
Customer pos. No.

Date 2025-03-04

Operating data

Rotational speed 2960 1/min	Frequency 50 Hz	Duty point Q =	H =	Suction port DN 100	Discharge port DN 80
---------------------------------------	---------------------------	--------------------------	------------	-------------------------------	--------------------------------

Power data referred to: Water; 20°C; 998.3kg/m³; 1.005mm²/s ±10 % tolerance with linear U/f frequency control



No test norm defined for this product

Contact
E-mail
Phone

Customer

Contact
E-mail
Phone

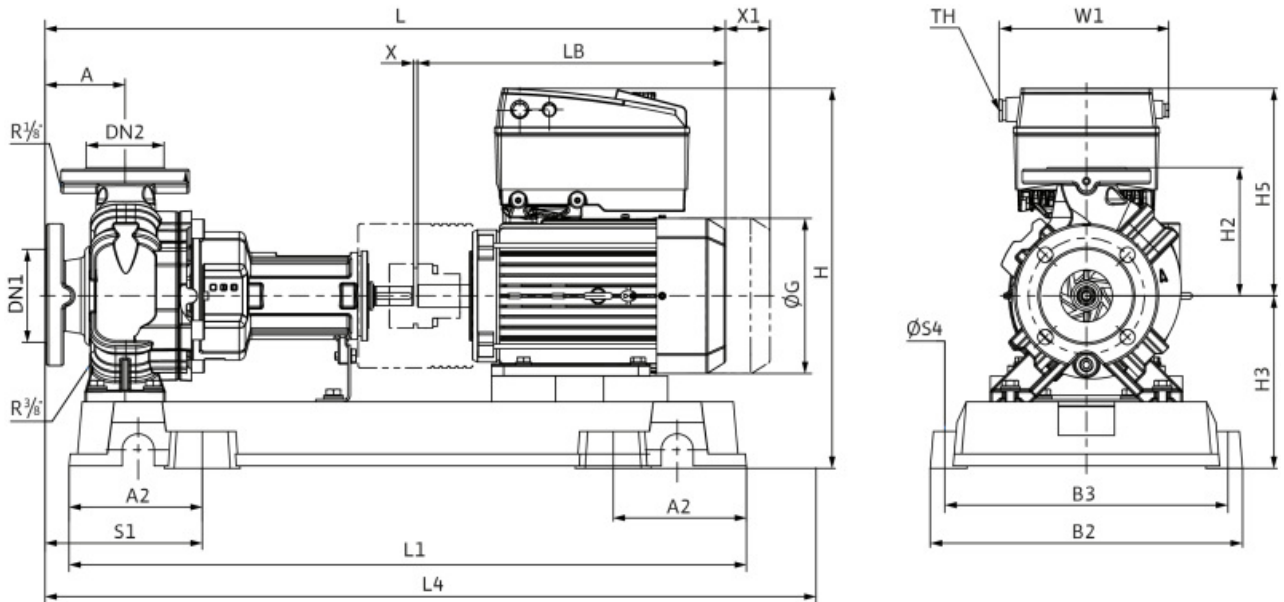
Dimensions

Glanded standard high-efficiency pump
Yonos GIGA-N 80/160-11/2-R1

Project ID Untitled project 2025-03-04 09:37:01.987

Project name
Installation location
Customer pos. No.

Date 2025-03-04



Coupling with spacer

Suction side DN 100, PN 16
Discharge side DN 80, PN 16

Dimensions mm

Name	Value	Name	Value	Name	Value	Name	Value
A	125	H	788	L2	225	S4	24
A2	205	H2	225	L3	840	W1	307.6
B1	0	H3	283	L4	1,185	X	140
B2	490	H5	505	LB	627	X1	100
B3	440	HH	515	LL	441		
DN1	DN 100, PN 16	L	1,252	ØG	313		
DN2	DN 80, PN 16	L1	1,150	S1	240		