

**Customer**

# Technical data

## Single-pump system

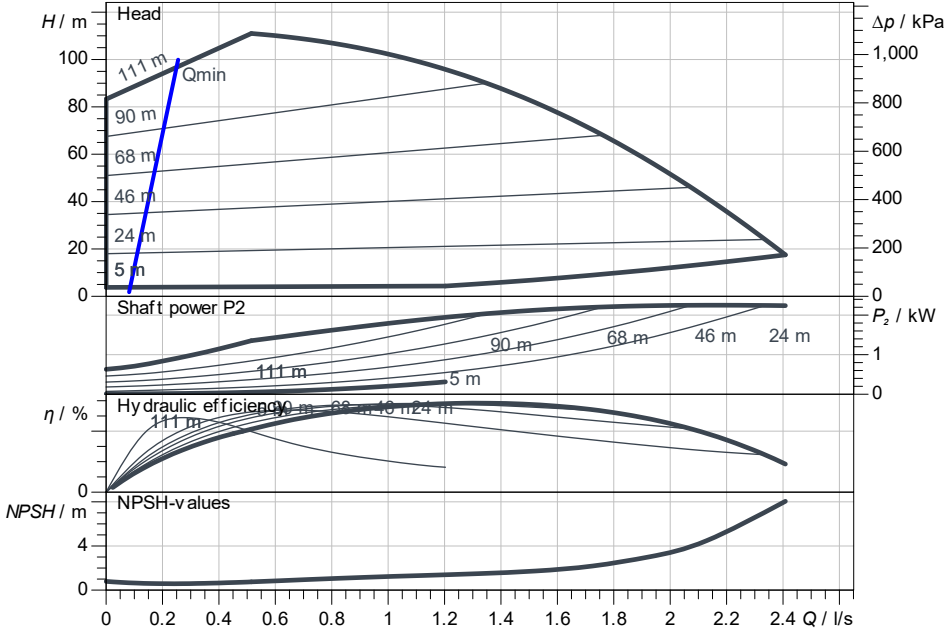
### SiBoost2.0 Smart 1 Helix VE 410-HS

Project ID: Untitled project 2025-03-04 05:18:48.548

Project name  
Installation location  
Customer pos. No.

Date: 2025-03-04

#### Duty chart



#### Requested data

Flow	
Head	
Media	Water 100 %
Fluid temperature	20.00 °C
Density	998.30 kg/m <sup>3</sup>
Kin. viscosity	1.00 mm <sup>2</sup> /s

#### Hydraulic data (Duty point)

Flow	
Head	
Shaft power P2	

#### Product data

Single-pump system	
SiBoost2.0 Smart 1 Helix VE 410-HS	
Control	With frequency converter
No. of pumps	1
Max. operating pressure	1,600 kPa
Inlet pressure max.	10 bar
Fluid temperature	3 °C ... +50 °C
Max. ambient temperature	50 °C
Protection class motor	IP55
Protection class of switchgear	IP55
Diaphragm pressure vessel	Yes
Low-water cut-out switchgear	Yes

#### Motordata per Motor/Pump

Motor efficiency level	IE5
Mains connection	3~ 400 V / 50 Hz
Permitted voltage tolerance	400/50: +/- 10%, 380/50
Max. speed	
Rated power P2	2.20 kW
Rated current	3.90 A

Efficiency	50% / 75% / 100%	0/0/93.3%
Insulation class		F
Motor protection		Yes

#### Fitting dimensions

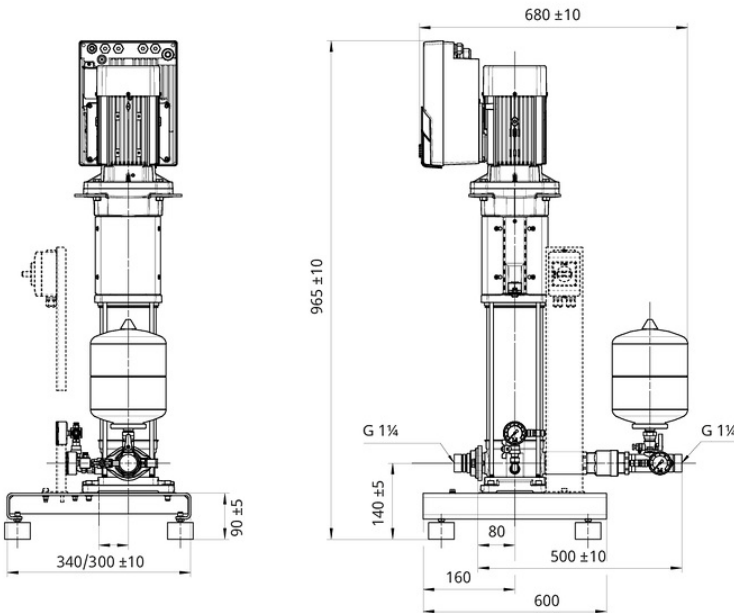
Pipe connection on the suction side	G 1 1/4, PN 10
Pipe connection (pressure side)	G 1 1/4, PN 16

#### Materials

Pump housing	1.4301
Impeller	1.4307
Shaft	1.4301
Shaft seal	BQ7EGG
Gasket material	EPDM
Pipework material	1.4307

#### Information for order placements

Weight approx.	56 kg
Item number	4258693



#### Dimensions mm

Contact  
E-mail  
Phone

**Customer**

Contact  
E-mail  
Phone

## Dimensions

### Single-pump system

SiBoost2.0 Smart 1 Helix VE 410-HS

Project ID

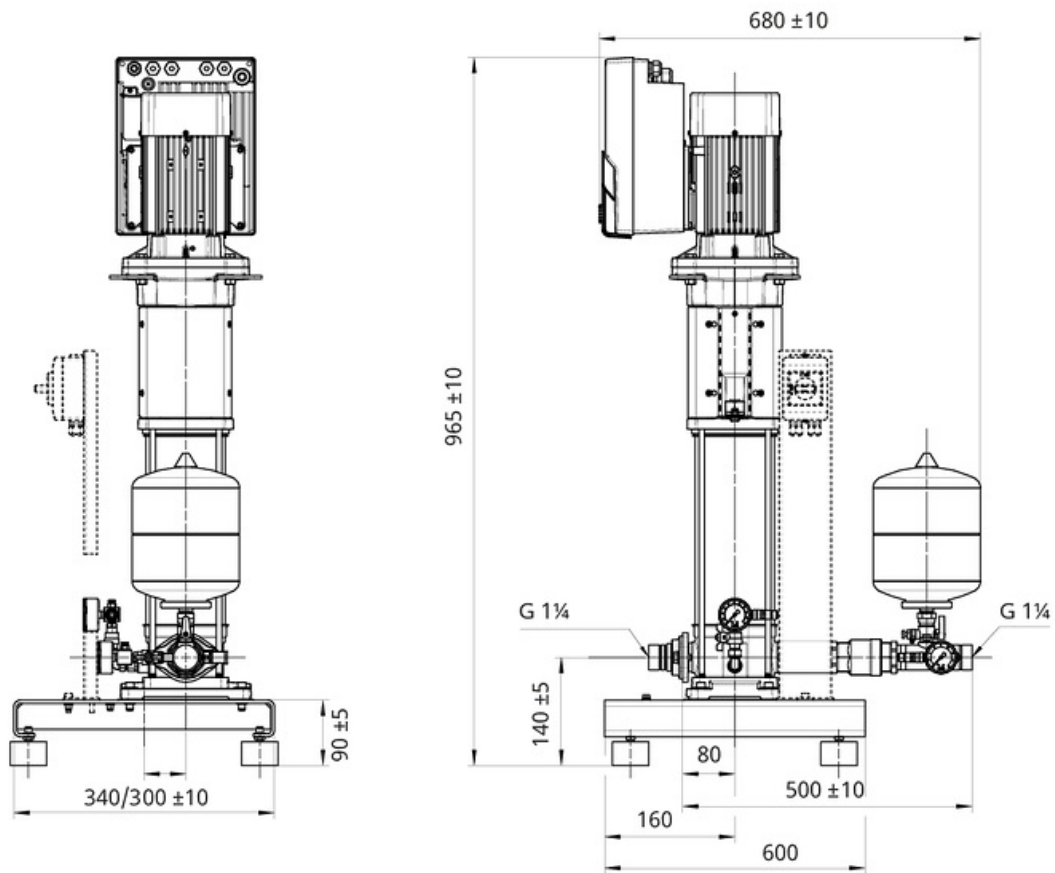
Untitled project 2025-03-04 05:18:48.548

Project name

Installation location

Customer pos. No.

Date 2025-03-04



**Standard**

Suction side G 1 1/4, PN 10/PN 16

Discharge side G 1 1/4, PN 10/PN 16

**Dimensions** mm

Name	Value	Name	Value	Name	Value	Name	Value
------	-------	------	-------	------	-------	------	-------