

Customer

Technical data

Single-pump system

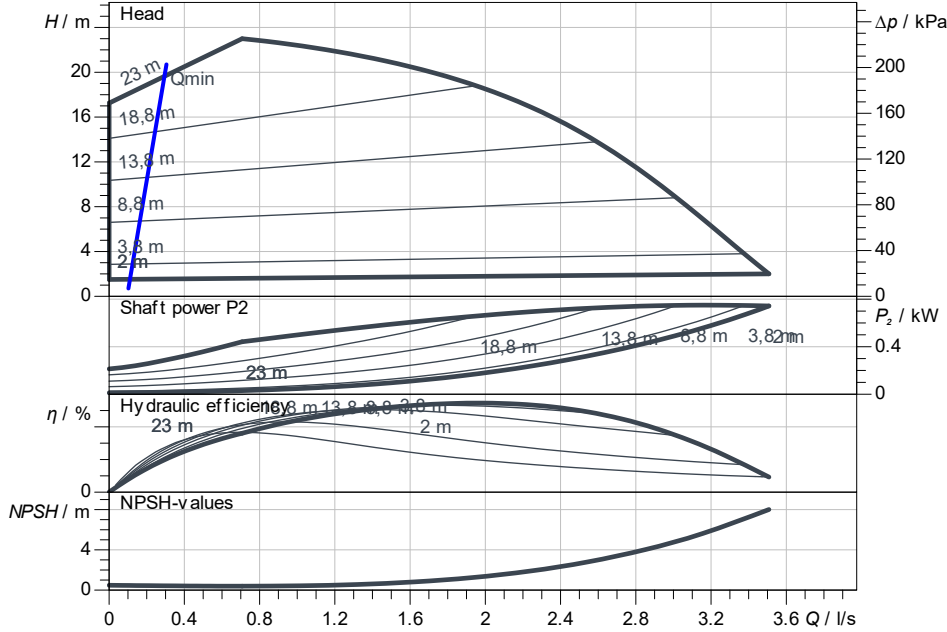
SiBoost2.0 Smart 1 Helix VE 602-HS

Project ID: Untitled project 2025-03-04 05:18:48.548

Project name
Installation location
Customer pos. No.

Date: 2025-03-04

Duty chart



Requested data

| | |
|-------------------|-----------------|
| Flow | |
| Head | |
| Media | Water 100 % |
| Fluid temperature | 20.00 °C |
| Density | 998.30 kg/m^3 |
| Kin. viscosity | 1.00 mm^2/s |

Hydraulic data (Duty point)

| | |
|----------------|--|
| Flow | |
| Head | |
| Shaft power P2 | |

Product data

| | |
|------------------------------------|--------------------------|
| Single-pump system | |
| SiBoost2.0 Smart 1 Helix VE 602-HS | |
| Control | With frequency converter |
| No. of pumps | 1 |
| Max. operating pressure | 1,600 kPa |
| Inlet pressure max. | 10 bar |
| Fluid temperature | 3 °C ... +50 °C |
| Max. ambient temperature | 40 °C |
| Protection class motor | IP55 |
| Protection class of switchgear | IP55 |
| Diaphragm pressure vessel | Yes |
| Low-water cut-out switchgear | Yes |

Motordata per Motor/Pump

| | |
|-----------------------------|-------------------------|
| Motor efficiency level | IE5 |
| Mains connection | 3~ 400 V / 50 Hz |
| Permitted voltage tolerance | 400/50: +/- 10%, 380/50 |
| Max. speed | |
| Rated power P2 | 0.75 kW |
| Rated current | 1.60 A |

| | | |
|------------------|------------------|-----------|
| Efficiency | 50% / 75% / 100% | 0/0/85.3% |
| Insulation class | | F |
| Motor protection | | Yes |

Fitting dimensions

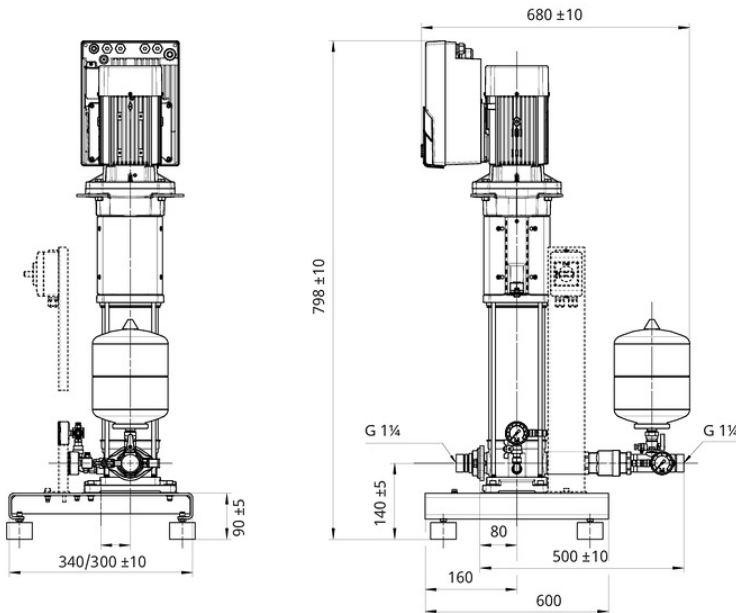
| | |
|-------------------------------------|----------------|
| Pipe connection on the suction side | G 1 1/4, PN 10 |
| Pipe connection (pressure side) | G 1 1/4, PN 16 |

Materials

| | |
|-------------------|--------|
| Pump housing | 1.4301 |
| Impeller | 1.4307 |
| Shaft | 1.4301 |
| Shaft seal | BQ7EGG |
| Gasket material | EPDM |
| Pipework material | 1.4307 |

Information for order placements

| | |
|----------------|---------|
| Weight approx. | 48 kg |
| Item number | 4258694 |



Dimensions mm

Contact
E-mail
Phone

Customer

Contact
E-mail
Phone

Dimensions

Single-pump system

SiBoost2.0 Smart 1 Helix VE 602-HS

Project ID

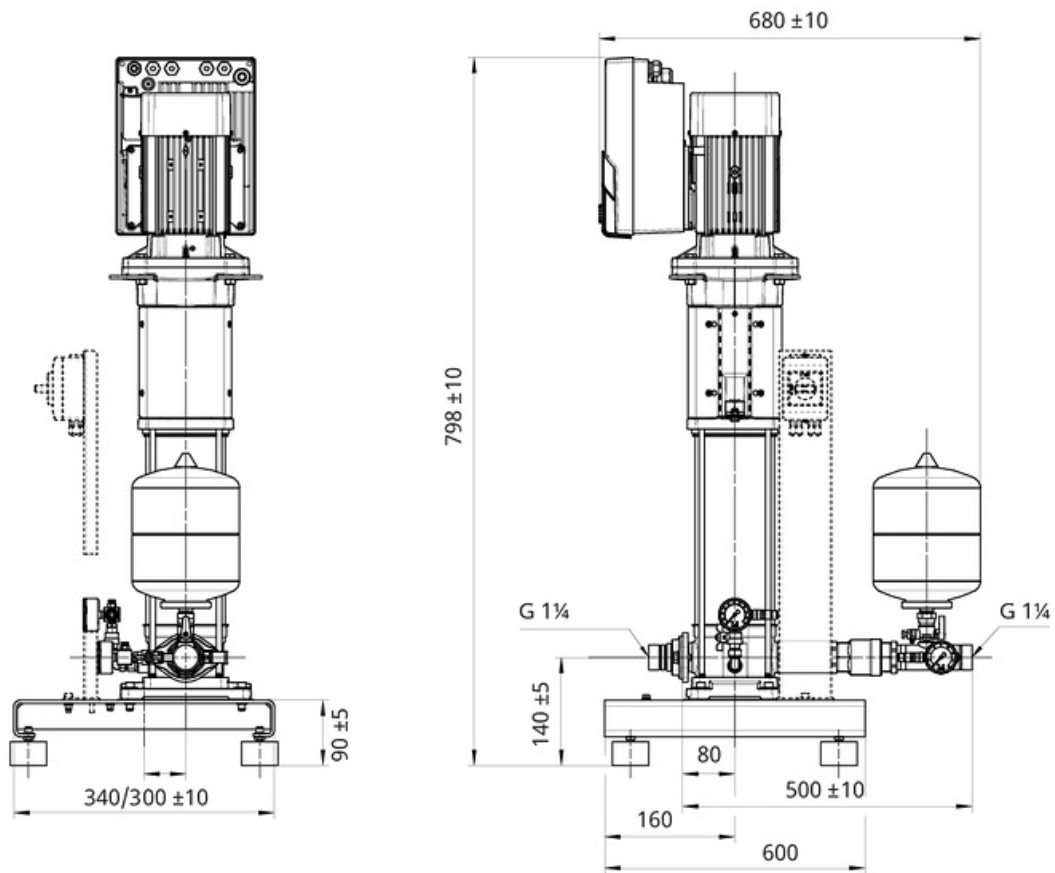
Untitled project 2025-03-04 05:18:48.548

Project name

Installation location

Customer pos. No.

Date 2025-03-04



Standard

Suction side G 1 1/4, PN 10/PN 16

Discharge side G 1 1/4, PN 10/PN 16

Dimensions mm

| Name | Value | Name | Value | Name | Value | Name | Value |
|------|-------|------|-------|------|-------|------|-------|
|------|-------|------|-------|------|-------|------|-------|