

**Customer**

## Technical data

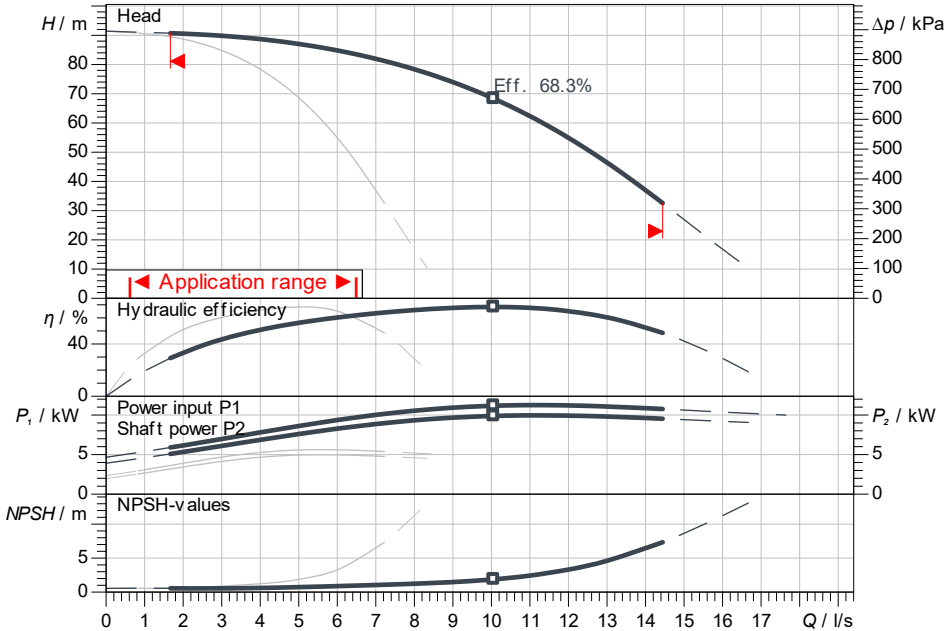
### Multi-pump system SiBoost Smart 2 Helix V 1607

Project ID: Untitled project 2025-03-04 01:04:54.425

Project name  
Installation location  
Customer pos. No.

Date: 2025-03-04

#### Duty chart



#### Requested data

Flow  
Head  
Media: Water 100 %  
Fluid temperature: 20.00 °C  
Density: 998.30 kg/m<sup>3</sup>  
Kin. viscosity: 1.00 mm<sup>2</sup>/s

#### Hydraulic data (Duty point)

Flow  
Head  
Shaft power P2

#### Product data

Multi-pump system  
SiBoost Smart 2 Helix V 1607

No. of pumps: 2  
Max. operating pressure: 1,600 kPa  
Inlet pressure max.: 1,000  
Fluid temperature: 3 °C ... +50 °C  
Max. ambient temperature: 40 °C  
Protection class system: IP55  
Protection class of switchgear: IP54  
Diaphragm pressure vessel: Yes  
Low-water cut-out switchgear: No

#### Motordata per Motor/Pump

Motor efficiency level: IE3  
Mains connection: 3~ 400 V / 50 Hz  
Permitted voltage tolerance: +10 %  
Rated speed: 2,900 1/min  
Rated power P2: 5.50 kW  
Rated current: 10.50 A  
Power factor: 0.86  
Efficiency: 50% / 75% / 100%  
Degree of protection: IP55  
Insulation class: F  
Motor protection: Yes

#### Fitting dimensions

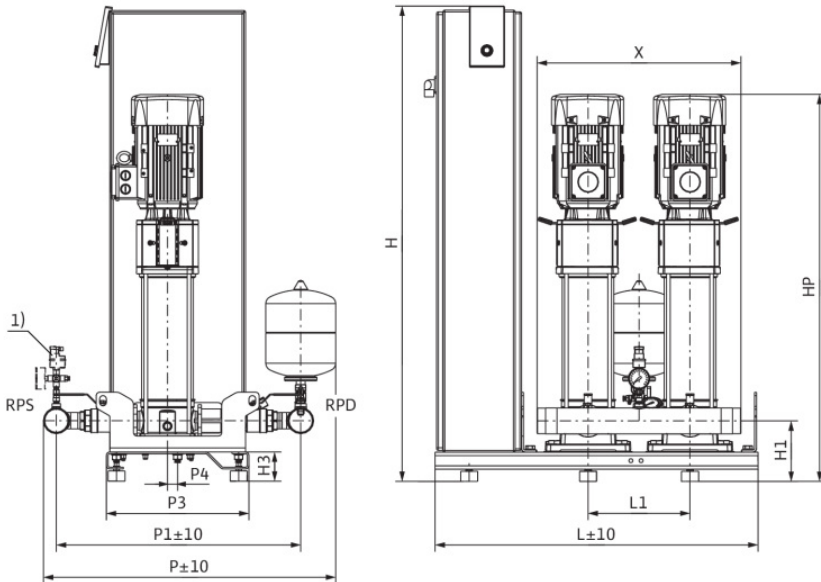
Pipe connection on the suction side: R 2½, PN 10  
Pipe connection (pressure side): R 2½, PN 16

#### Materials

Pump housing: 1.4301  
Impeller: 1.4307  
Shaft: 1.4301  
Shaft seal: Q1BE3GG  
Gasket material: EPDM  
Pipework material: 1.4307

#### Information for order placements

Weight approx.: 277 kg  
Item number: 2536157



Dimensions		mm				
DNd	R 2½, PN H3	90	LS	250	X	600
DNs	R 2½, PN HP	1,089	P	845		
H	1,405	HS	1,300	P1	720	
H1	185	L	950	P3	420	
H2	303	L1	300	P4	30	

Contact  
E-mail  
Phone

**Customer**

Contact  
E-mail  
Phone

## Dimensions

### Multi-pump system

SiBoost Smart 2 Helix V 1607

Project ID

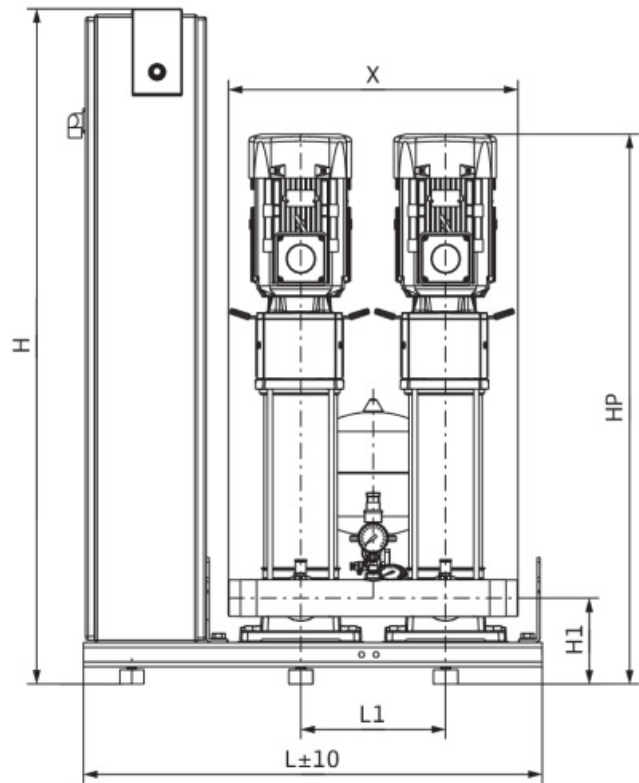
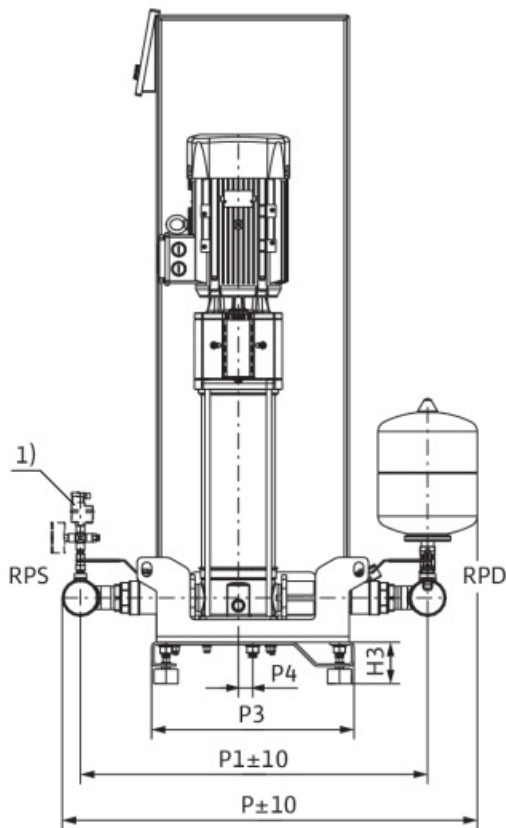
Untitled project 2025-03-04 01:04:54.425

Project name

Installation location

Customer pos. No.

Date 2025-03-04



**Standard**

Suction side R 2½, PN 10/PN 16  
Discharge side R 2½, PN 10/PN 16

**Dimensions** mm

Name	Value	Name	Value	Name	Value	Name	Value
DNd	R 2½, PN 16	HS	1,300	P4	30		
DNs	R 2½, PN 10	L	950	X	600		
H	1,405	L1	300				
H1	185	LS	250				
H2	303	P	845				
H3	90	P1	720				
HP	1,089	P3	420				