

**Customer**

## Technical data

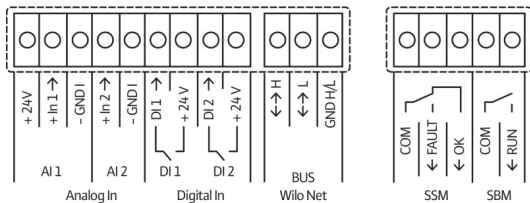
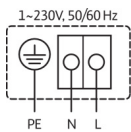
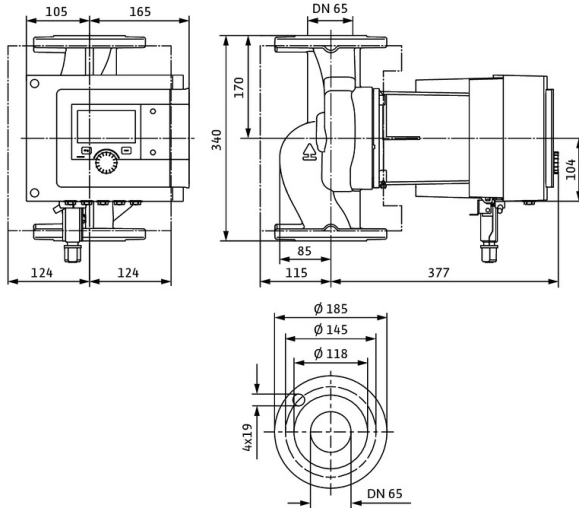
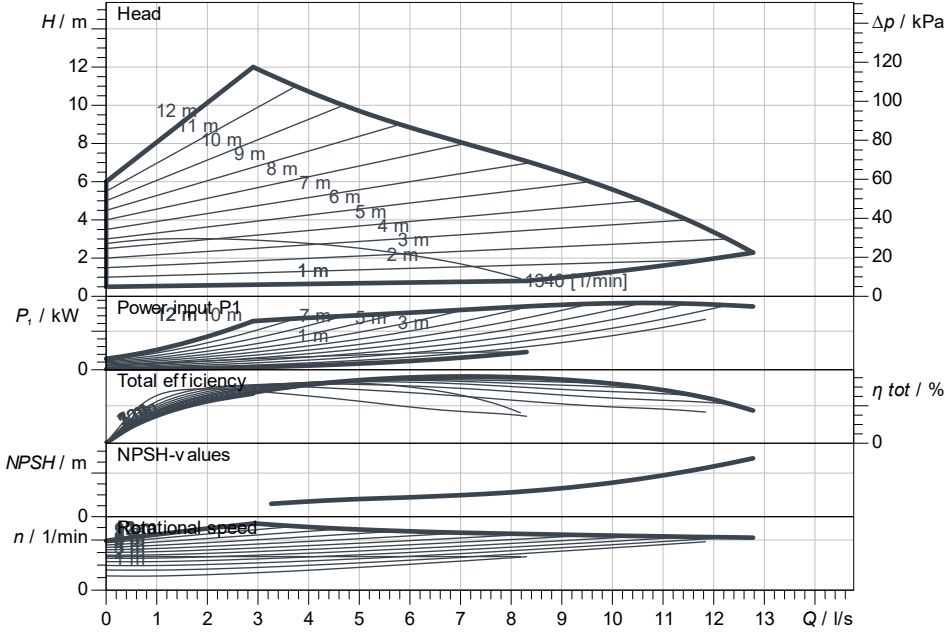
### Glandless premium smart-pump Stratos MAXO 65/0,5-12 PN6/10

Project ID: Untitled project 2025-03-04 05:18:48.548

Project name  
Installation location  
Customer pos. No.

Date: 2025-03-04

#### Duty chart



#### Requested data

Flow	
Head	
Media	Water 100 %
Fluid temperature	20.00 °C
Density	998.30 kg/m <sup>3</sup>
Kin. viscosity	1.00 mm <sup>2</sup> /s

#### Hydraulic data (Duty point)

Flow	
Head	
Power input P1	

#### Product data

Glandless premium smart-pump	
Stratos MAXO 65/0,5-12 PN6/10	
Kind of operation	dp-v
Max. operating pressure	1,000 kPa
Fluid temperature	-10 °C ... +110 °C
Max. ambient temperature	40 °C

#### Motordata per Motor/Pump

Motor design	EC motor
Energy efficiency index (EEI)	≤ 0.17
Mains connection	1~ 230 V / 50 Hz
Permitted voltage tolerance	+ -10 %
Max. speed	3,000
Power input P1(max)	0.95 kW
Current consumption	4.17 A
Degree of protection	IPX4D
Insulation class	F
Emitted interference	EN 61800-3;2004+A1
Interference resistance	EN 61800-3;2004+A1
Threaded cable connection	

#### Fitting dimensions

Pipe connection on the suction side	DN 65, PN 6/10
Pipe connection (pressure side)	DN 65, PN 6/10
Port to Port	340 mm

#### Materials

Pump housing	5.1301/EN-GJL-250
Impeller	PPS-GF40
Shaft	1.4028
Bearing	Carbon, antimony-impregnated

#### Information for order placements

Weight approx.	30.5 kg
Item number	2164594