

**Customer**

# Technical data

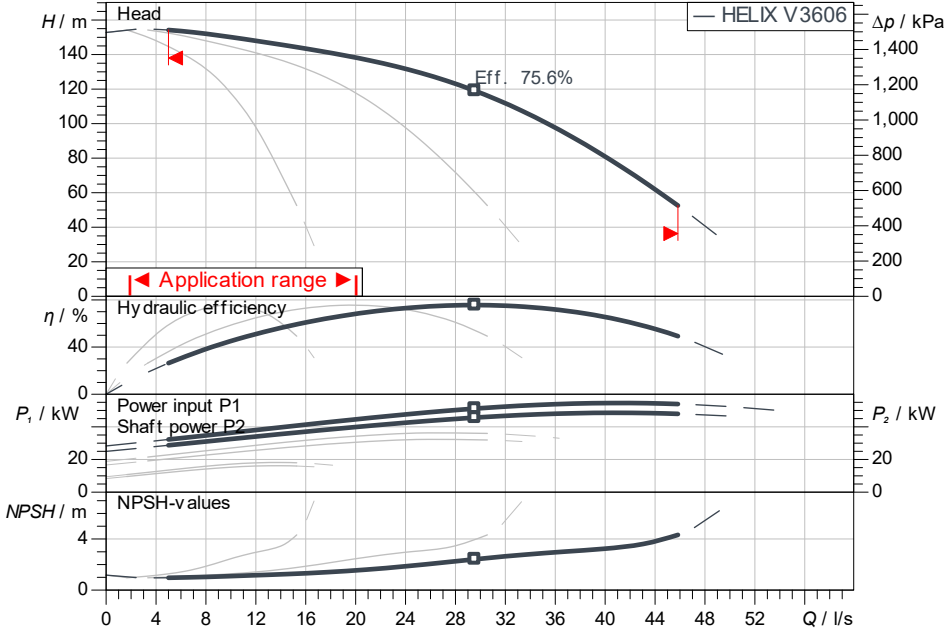
## Multi-pump system SiBoost Smart 3 Helix V 3606

Project ID: Untitled project 2025-03-04 01:04:54.425

Project name  
Installation location  
Customer pos. No.

Date: 2025-03-04

### Duty chart



### Requested data

Flow	
Head	
Media	Water 100 %
Fluid temperature	20.00 °C
Density	998.30 kg/m <sup>3</sup>
Kin. viscosity	1.00 mm <sup>2</sup> /s

### Hydraulic data (Duty point)

Flow	
Head	
Shaft power P2	

### Product data

Multi-pump system  
SiBoost Smart 3 Helix V 3606

No. of pumps	3
Max. operating pressure	1,600 kPa
Inlet pressure max.	1,000
Fluid temperature	3 °C ... +50 °C
Max. ambient temperature	40 °C
Protection class system	IP55
Protection class of switchgear	IP54
Diaphragm pressure vessel	Yes
Low-water cut-out switchgear	No

### Motordata per Motor/Pump

Motor efficiency level	IE3
Mains connection	3~ 400 V / 50 Hz
Permitted voltage tolerance	+/-10 %
Rated speed	2,900 1/min
Rated power P2	18.5 kW
Rated current	32.80 A
Power factor	0.89
Efficiency	
50% / 75% / 100%	91.6/92.5/92.4%
Degree of protection	IP55
Insulation class	F
Motor protection	Yes

### Fitting dimensions

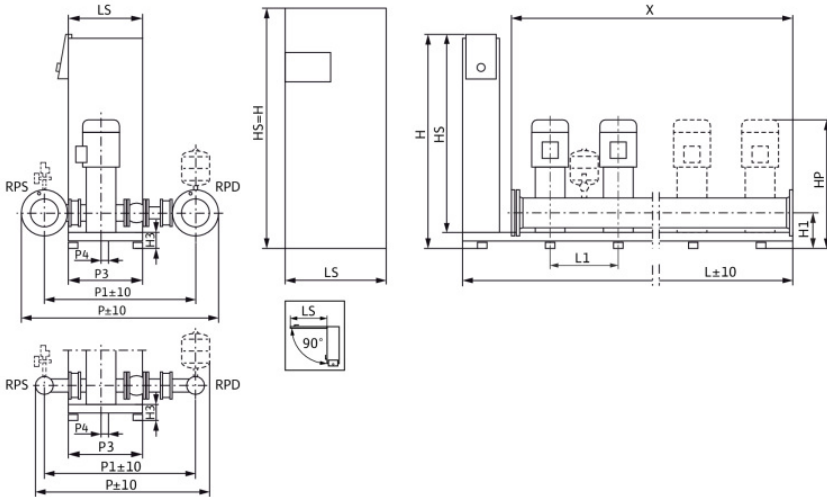
Pipe connection on the suction side	DN 125, PN 10
Pipe connection (pressure side)	DN 125, PN 16

### Materials

Pump housing	5.1301/EN-GJL-250
Impeller	1.4307
Shaft	1.4057
Shaft seal	Q1BE3GG
Gasket material	EPDM
Pipework material	1.4307

### Information for order placements

Weight approx.	920 kg
Item number	2540778



### Dimensions

mm

DNd	DN 125,	H3	125	LS	600	X	1,500
DNs	DN 125,	HP	1,553	P	1,305		
H	1,900	HS	1,900	P1	1,057		
H1	230	L	1,580	P3	500		
H2	380	L1	500	P4	0		

Contact  
E-mail  
Phone

**Customer**

Contact  
E-mail  
Phone

## Dimensions

### Multi-pump system

SiBoost Smart 3 Helix V 3606

Project ID                      Untitled project 2025-03-04 01:04:54.425

Project name  
Installation location  
Customer pos. No.

Date                      2025-03-04



**Standard**

Suction side                      DN 125, PN 10/PN 16  
Discharge side                      DN 125, PN 10/PN 16

**Dimensions**                      mm

Name	Value	Name	Value	Name	Value	Name	Value
DNd	DN 125, PN 16	HS	1,900	P4	0		
DNs	DN 125, PN 10	L	1,580	X	1,500		
H	1,900	L1	500				
H1	230	LS	600				
H2	380	P	1,305				
H3	125	P1	1,057				
HP	1,553	P3	500				