

Customer

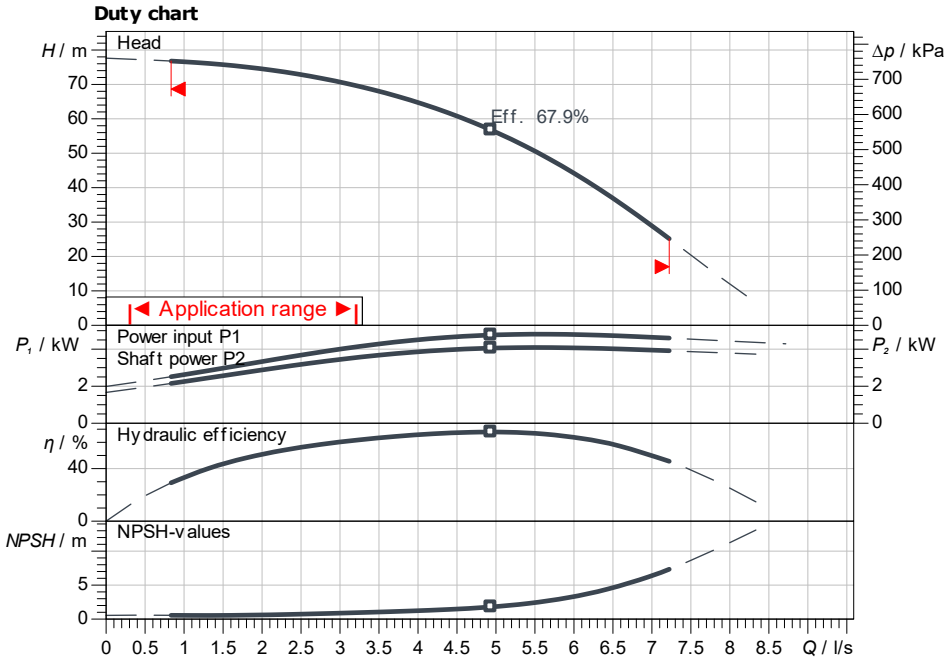
Technical data

Fire-extinguishing system FLA-1 Helix V 1606/K-01 PN10

Project ID: Untitled project 2025-03-03 14:15:38.327

Project name
Installation location
Customer pos. No.

Date: 2025-03-03



Requested data

Flow
Head
Media
Fluid temperature
Density
Kin. viscosity

Water 100 %
20.00 °C
998.30 kg/m³
1.00 mm²/s

Hydraulic data (Duty point)

Flow
Head
Shaft power P_2

Product data

Fire-extinguishing system
FLA-1 Helix V 1606/K-01 PN10

No. of pumps: 1
Max. operating pressure: 1,000 kPa
Inlet pressure max.: 1,000
Fluid temperature: 3 °C ... +50 °C
Max. ambient temperature: 40 °C
Protection class system: IP55
Protection class of switchgear: IP54
Diaphragm pressure vessel: Yes
Low-water cut-out switchgear: No

Motordata per Motor/Pump

Motor efficiency level: IE3
Mains connection: 3~ 400 V / 50 Hz
Permitted voltage tolerance: +10 %
Rated speed: 2,900 1/min
Rated power P_2 : 4.00 kW
Rated current: 7.40 A
Power factor: 0.87
Efficiency: 86.5/88/88.1%
Degree of protection: IP55
Insulation class: F
Motor protection: Yes

Fitting dimensions

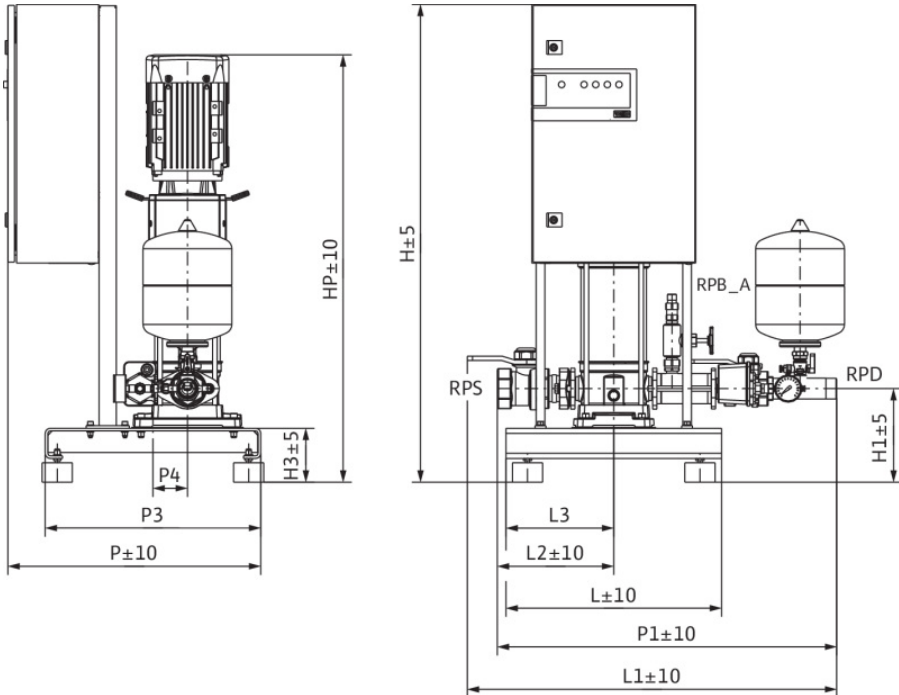
Pipe connection on the suction side: Rp 2, PN 10
Pipe connection (pressure side): R 1½, PN 16

Materials

Pump housing: 1.4301
Impeller: 1.4307
Shaft: 1.4301
Shaft seal: Q1BE3GG
Gasket material: EPDM
Pipework material: 1.4307

Information for order placements

Weight approx.: 131 kg
Item number: 2534421



Dimensions

Dimensions		mm					
H	1,105	L	500	P1	787	RPS	Rp 2, PN
H1	215	L1	862	P3	500		
H3	125	L2	270	P4	80		
HP	1,135	L3	250	RPB_A	R ¾		
HS	600	P	585	RPD	R 1½, PN		

Customer

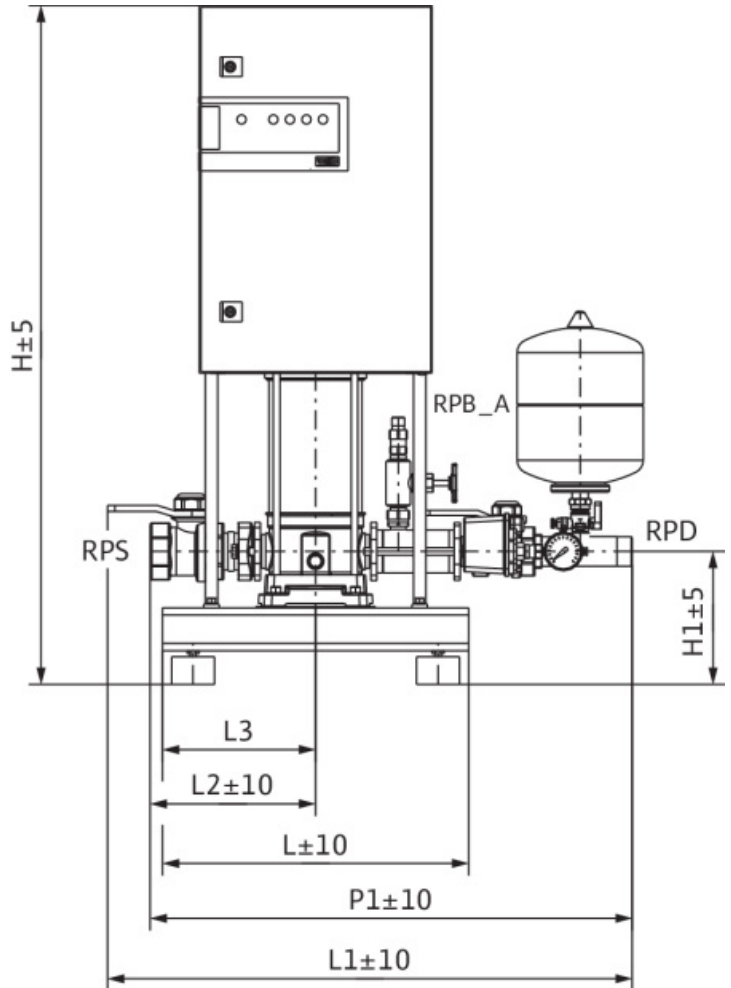
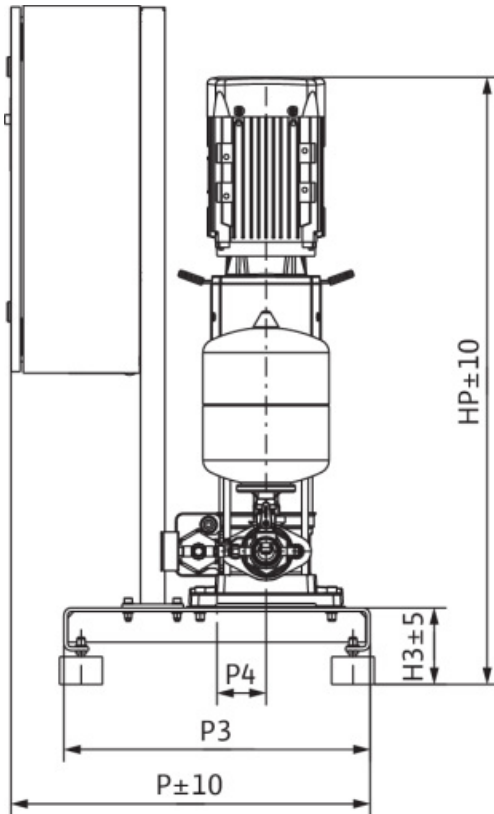
Dimensions

Fire-extinguishing system
FLA-1 Helix V 1606/K-01 PN10

Project ID Untitled project 2025-03-03 14:15:38.327

Project name
Installation location
Customer pos. No.

Date 2025-03-03



Standard

Suction side Rp 2, PN 10/PN 16
Discharge side R 1½, PN 10/PN 16

Dimensions mm

Name	Value	Name	Value	Name	Value	Name	Value
H	1,105	L2	270	RPD	R 1½, PN 16		
H1	215	L3	250	RPS	Rp 2, PN 10		
H3	125	P	585				
HP	1,135	P1	787				
HS	600	P3	500				
L	500	P4	80				
L1	862	RPB_A	R ¾				



Contact
E-mail
Phone

Customer

Contact
E-mail
Phone

Wiring diagram

Fire-extinguishing system
FLA-1 Helix V 1606/K-01 PN10

Project ID Untitled project 2025-03-03 14:15:38.327

Project name
Installation location
Customer pos. No.

Date 2025-03-03

Wiring diagram

1-phase / 3-phase **3~**

