

**Customer**

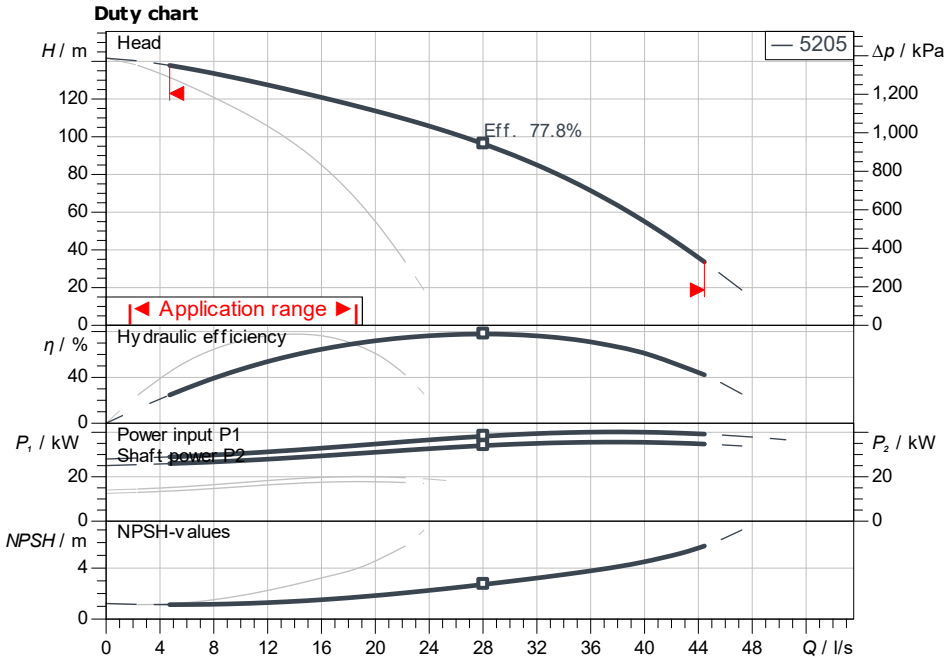
# Technical data

## Multi-pump system SiBoost Smart 2 Helix V 5205

Project ID: Untitled project 2025-03-04 01:04:54.425

Project name  
Installation location  
Customer pos. No.

Date: 2025-03-04



**Requested data**

Flow  
Head  
Media: Water 100 %  
Fluid temperature: 20.00 °C  
Density: 998.30 kg/m<sup>3</sup>  
Kin. viscosity: 1.00 mm<sup>2</sup>/s

**Hydraulic data (Duty point)**

Flow  
Head  
Shaft power P2

**Product data**

Multi-pump system  
SiBoost Smart 2 Helix V 5205

No. of pumps: 2  
Max. operating pressure: 1,600 kPa  
Inlet pressure max.: 1,000  
Fluid temperature: 3 °C ... +50 °C  
Max. ambient temperature: 40 °C  
Protection class system: IP55  
Protection class of switchgear: IP54  
Diaphragm pressure vessel: Yes  
Low-water cut-out switchgear: No

**Motordata per Motor/Pump**

Motor efficiency level: IE3  
Mains connection: 3~ 400 V / 50 Hz  
Permitted voltage tolerance: +-10 %  
Rated speed: 2,900 1/min  
Rated power P2: 18.5 kW  
Rated current: 32.80 A  
Power factor: 0.89  
Efficiency: 50% / 75% / 100%  
Degree of protection: IP55  
Insulation class: F  
Motor protection: Yes

**Fitting dimensions**

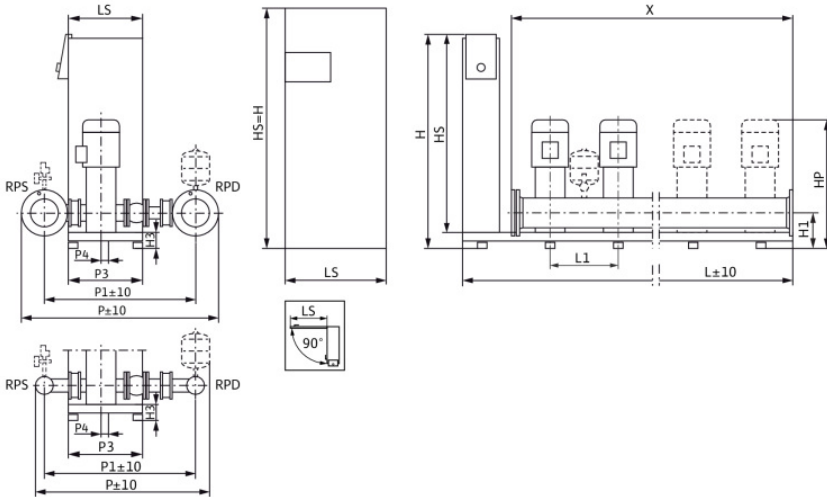
Pipe connection on the suction side: DN 125, PN 10  
Pipe connection (pressure side): DN 125, PN 16

**Materials**

Pump housing: 5.1301/EN-GJL-250  
Impeller: 1.4307  
Shaft: 1.4057  
Shaft seal: Q1BE3GG  
Gasket material: EPDM  
Pipework material: 1.4307

**Information for order placements**

Weight approx.: 625 kg  
Item number: 2540826



Dimensions		mm	
DNd	DN 125, H3	105	LS 250 X 1,000
DNs	DN 125, HP	1,663	P 1,286
H	1,405	HS	1,300
H1	245	L	1,250
H2	395	L1	500
		P1	1,036
		P3	420
		P4	30

Contact  
E-mail  
Phone

**Customer**

Contact  
E-mail  
Phone

## Dimensions

### Multi-pump system

SiBoost Smart 2 Helix V 5205

Project ID                      Untitled project 2025-03-04 01:04:54.425

Project name  
Installation location  
Customer pos. No.

Date                      2025-03-04



**Standard**

Suction side                      DN 125, PN 10/PN 16  
Discharge side                      DN 125, PN 10/PN 16

**Dimensions**                      mm

Name	Value	Name	Value	Name	Value	Name	Value
DNd	DN 125, PN 16	HS	1,300	P4	30		
DNs	DN 125, PN 10	L	1,250	X	1,000		
H	1,405	L1	500				
H1	245	LS	250				
H2	395	P	1,286				
H3	105	P1	1,036				
HP	1,663	P3	420				