

Customer

Technical data

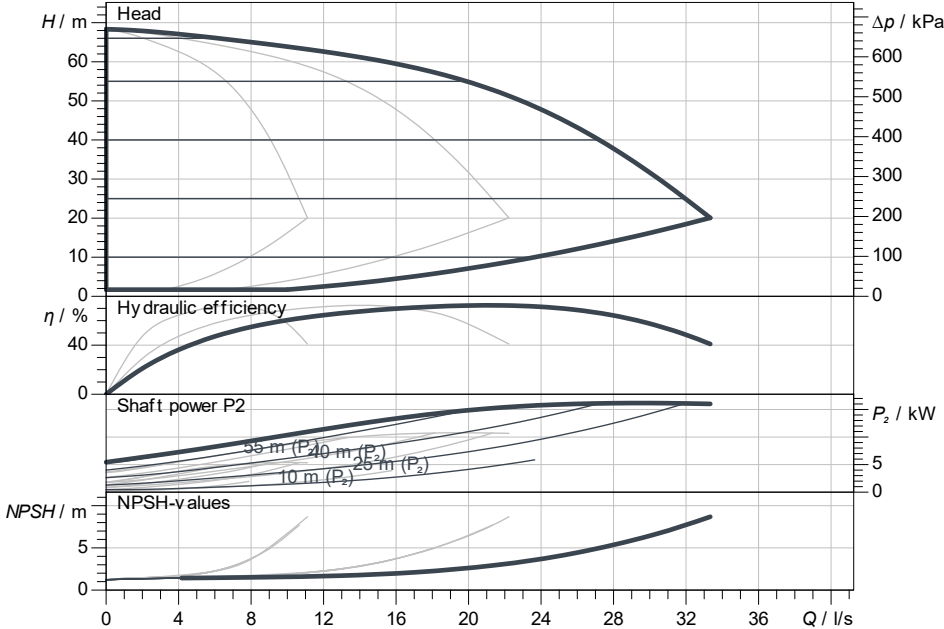
Multi-pump system SiBoost Smart 3 Helix VE 2203

Project ID: Untitled project 2025-03-04 01:04:54.425

Project name
Installation location
Customer pos. No.

Date: 2025-03-04

Duty chart



Requested data

Flow
Head
Media: Water 100 %
Fluid temperature: 20.00 °C
Density: 998.30 kg/m³
Kin. viscosity: 1.00 mm²/s

Hydraulic data (Duty point)

Flow
Head
Shaft power P₂

Product data

Multi-pump system
SiBoost Smart 3 Helix VE 2203
Control: With frequency converter
No. of pumps: 3
Max. operating pressure: 1,600 kPa
Inlet pressure max.: 10 bar
Fluid temperature: 3 °C ... +50 °C
Max. ambient temperature: 40 °C
Protection class motor: IP55
Protection class of switchgear: IP54
Diaphragm pressure vessel: Yes
Low-water cut-out switchgear: No

Motordata per Motor/Pump

Motor efficiency level: IE4
Mains connection: 3~ 400 V / 50 Hz
Permitted voltage tolerance: 400/50: +/-10%, 380/60
Max. speed: 2,900 1/min
Rated power P₂: 5.50 kW
Rated current: 9.80 A

Efficiency: 50% / 75% / 100% → 89.3/90.2/90.2%
Insulation class: F
Motor protection: Yes

Fitting dimensions

Pipe connection on the suction side: DN 100, PN 10
Pipe connection (pressure side): DN 100, PN 16

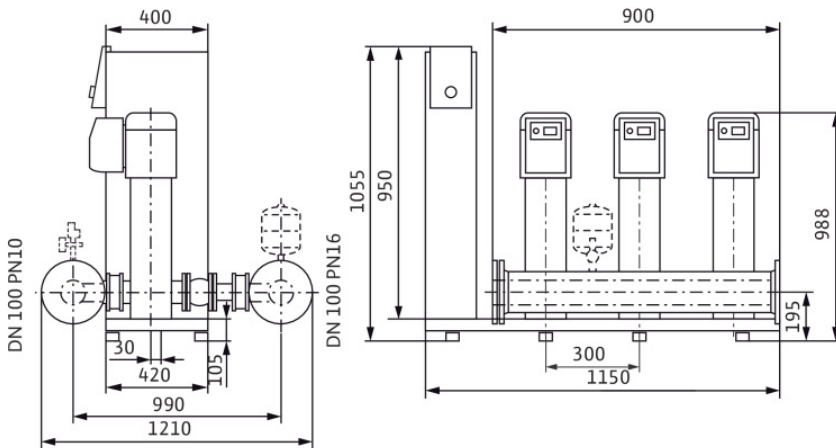
Materials

Pump housing: 5.1301/EN-GJL-250

Impeller: 1.4307
Shaft: 1.4057
Shaft seal: Q1BE3GG
Gasket material: EPDM
Pipework material: 1.4307

Information for order placements

Weight approx.: 470 kg
Item number: 29990244



Dimensions mm

Contact
E-mail
Phone

Customer

Contact
E-mail
Phone

Dimensions

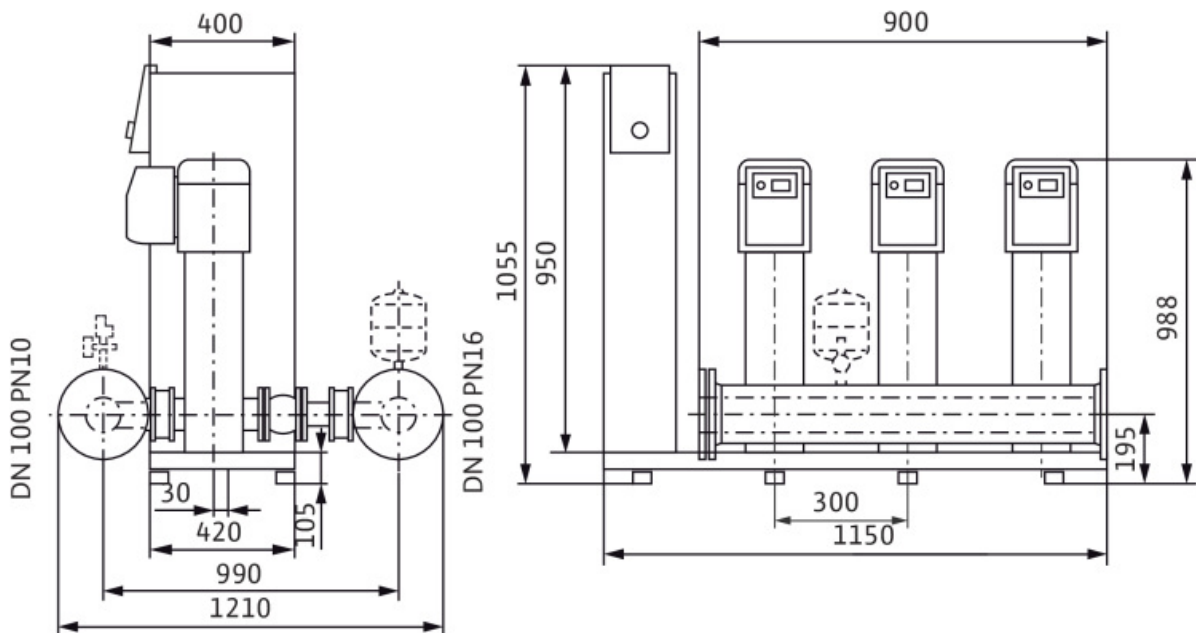
Multi-pump system

SiBoost Smart 3 Helix VE 2203

Project ID Untitled project 2025-03-04 01:04:54.425

Project name
Installation location
Customer pos. No.

Date 2025-03-04



Standard

Suction side DN 100, PN 10/PN 16
Discharge side DN 100, PN 10/PN 16

Dimensions mm

Name	Value	Name	Value	Name	Value	Name	Value
------	-------	------	-------	------	-------	------	-------