

**Customer**

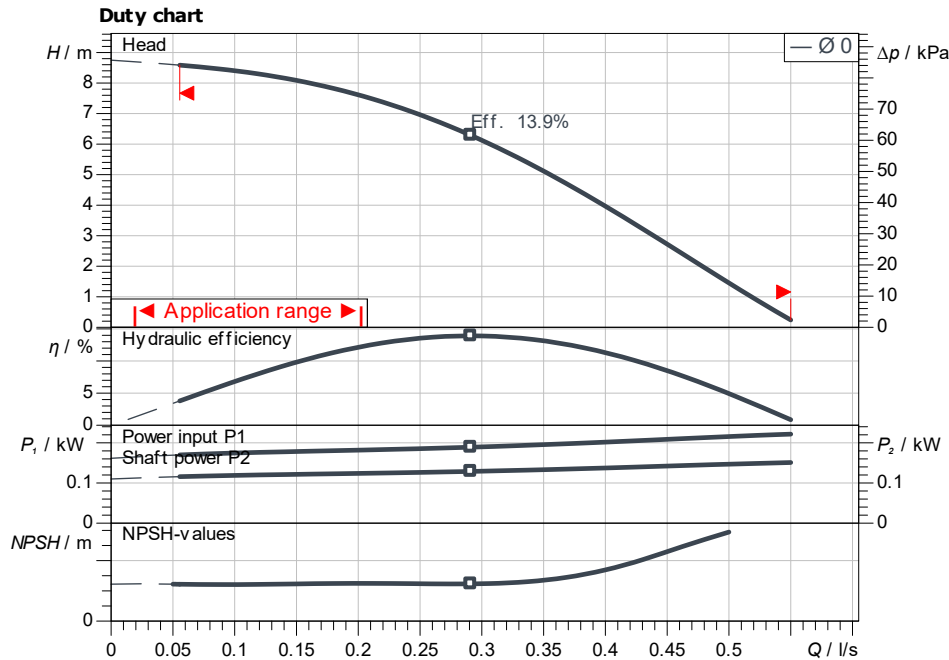
## Technical data

### Glanded special pump IPH-W20/160-0,37/4

Project ID                      Untitled project 2025-03-17 08:16:17.345

Project name  
Installation location  
Customer pos. No.

Date                      2025-03-17



**Requested data**

Flow	
Head	
Media	Water 100 %
Fluid temperature	20.00 °C
Density	998.30 kg/m <sup>3</sup>
Kin. viscosity	1.00 mm <sup>2</sup> /s

**Hydraulic data (Duty point)**

Flow	
Head	
Shaft power P2	
Hydraulic efficiency	
NPSH	

**Product data**

Glanded special pump	
IPH-W20/160-0,37/4	
Max. operating pressure	2,300 kPa
Fluid temperature	-10 °C ... +210 °C
Max. ambient temperature	40 °C

**Motordata per Motor/Pump**

Mains connection	3~ 400 V / 50 Hz
Permitted voltage tolerance	+/- 10 %
Rated speed	1,425 1/min
Rated power P2	0.37 kW
Rated current	1.12 A
Power factor	0.7
Degree of protection	IP55
Insulation class	F
Motor protection	No

**Fitting dimensions**

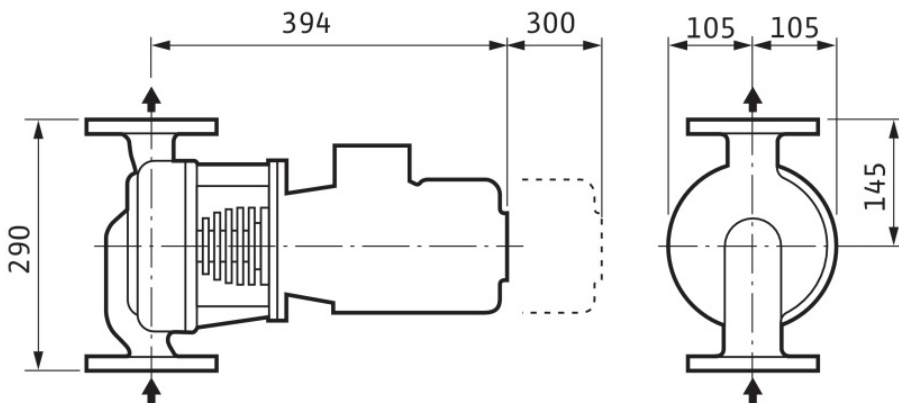
Pipe connection on the suction side	DN 20, PN 25
Pipe connection (pressure side)	DN 20, PN 25
Port to Port	

**Materials**

Pump housing	1.0625
Impeller	5.1301/EN-GJL-250
Lantern	EN-GJS-400-15
Shaft	1.4005
Shaft seal	AQ1EGG

**Information for order placements**

Weight approx.	28.3 kg
Item number	4089415



**Dimensions**

mm

L0                                      290