

Customer

Technical data

Multi-pump system

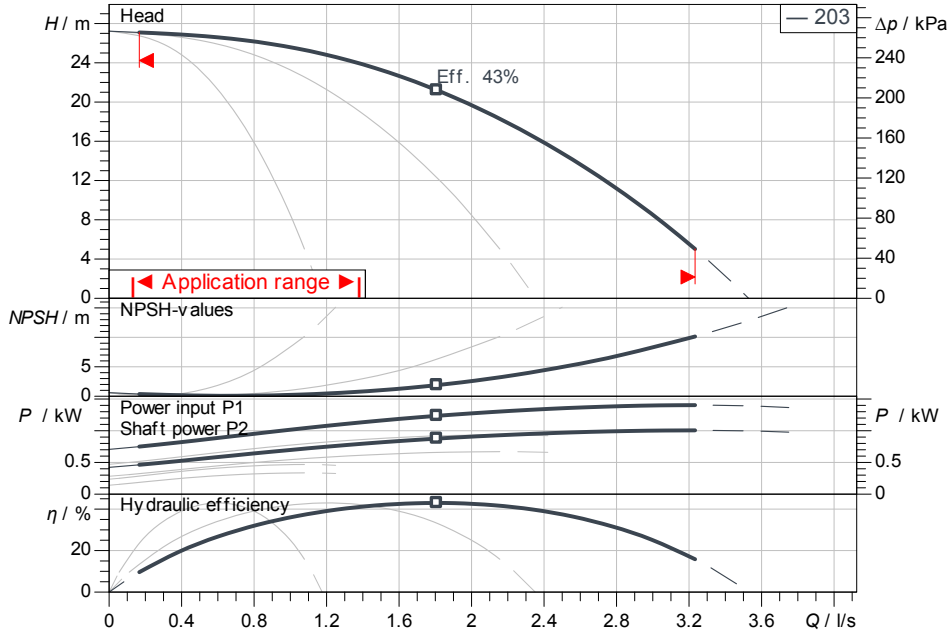
Isar MODH1-3CH1-L-203/SCe

Project ID: Untitled project 2025-03-03 22:14:23.954

Project name
Installation location
Customer pos. No.

Date: 2025-03-03

Duty chart



Requested data

Flow	
Head	
Media	Water 100 %
Fluid temperature	20.00 °C
Density	998.30 kg/m ³
Kin. viscosity	1.00 mm ² /s

Hydraulic data (Duty point)

Flow	
Head	
Shaft power P2	

Product data

Multi-pump system	
Isar MODH1-3CH1-L-203/SCe	
Control	With frequency converter
No. of pumps	3
Max. operating pressure	1,000 kPa
Inlet pressure max.	6 bar
Fluid temperature	3 °C ... +60 °C
Max. ambient temperature	40 °C
Diaphragm pressure vessel	Yes
Low-water cut-out switchgear	Yes

Control

Mains connection	1~220-230 V
	50 Hz
Protection class of switchgear	IP54

Motordata per Motor/Pump

Motor efficiency level	IE2
Rated power P2	0.37 kW
Rated current	1.10 A
Efficiency	50% / 75% / 100%
	65.1/70.4/69.5%
Protection class motor	IP55
Insulation class	F
Motor protection	

Fitting dimensions

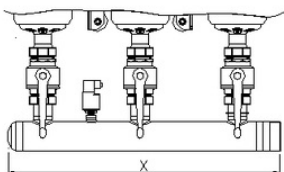
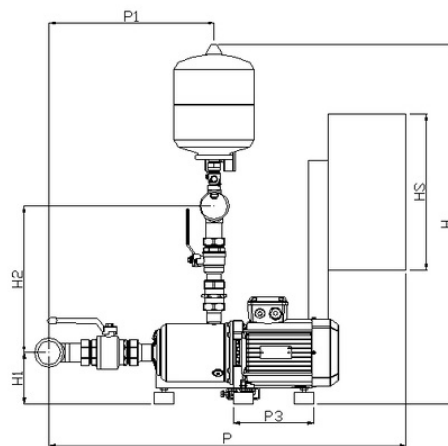
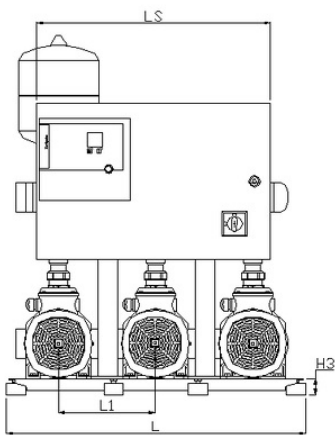
Pipe connection on the suction side	R 1 1/4, PN 10
Pipe connection (pressure side)	R 1 1/4, PN 10

Materials

Pump housing	1.4301
Impeller	1.4301
Shaft	1.4301
Shaft seal	BQ1E3GG
Gasket material	EPDM
Pipework material	1.4307

Information for order placements

Weight approx.	63 kg
Item number	29993574



Dimensions mm

DNd	R 1 1/4, PN H3	85	P	852	
DNs	R 1 1/4, PN HS	400	P1	287	
H	940	L	770	P3	300
H1	185	L1	250	X	674
H2	359	LS	600		

Contact
E-mail
Phone

Customer

Contact
E-mail
Phone

Dimensions

Multi-pump system

Isar MODH1-3CH1-L-203/SCe

Project ID

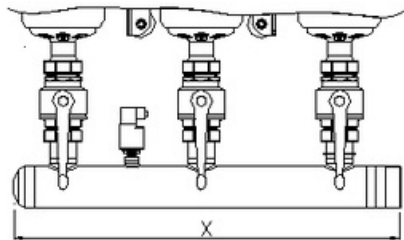
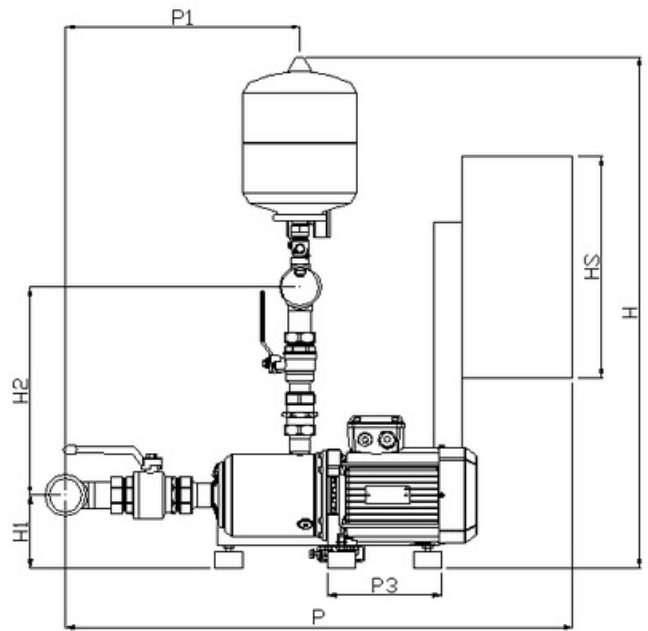
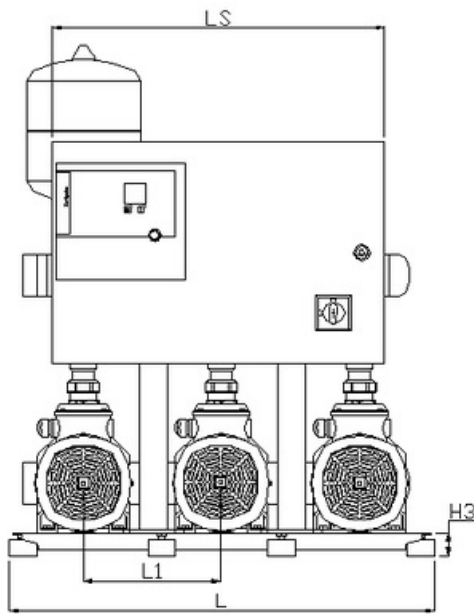
Untitled project 2025-03-03 22:14:23.954

Project name

Installation location

Customer pos. No.

Date 2025-03-03



Standard

Suction side R 1¼, PN 10
Discharge side R 1¼, PN 10

Dimensions mm

Name	Value	Name	Value	Name	Value	Name	Value
DNd	R 1¼, PN 10	L	770				
DNs	R 1¼, PN 10	L1	250				
H	940	LS	600				
H1	185	P	852				
H2	359	P1	287				
H3	85	P3	300				
HS	400	X	674				