

**Customer**

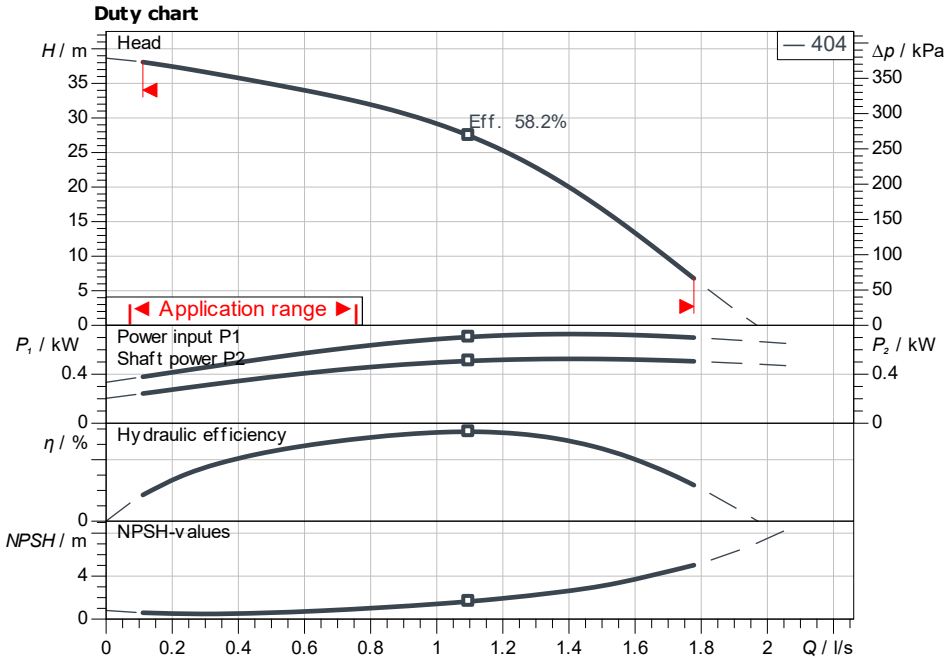
## Technical data

### High-pressure multistage centrifugal pump Medana CH1-L.404-1/E/E/10T

Project ID                      Untitled project 2025-03-03 23:00:00.495

Project name  
Installation location  
Customer pos. No.

Date                      2025-03-03



**Requested data**

Flow	
Head	
Media	Water 100 %
Fluid temperature	20.00 °C
Density	998.30 kg/m <sup>3</sup>
Kin. viscosity	1.00 mm <sup>2</sup> /s

**Hydraulic data (Duty point)**

Flow  
Head

**Product data**

High-pressure multistage centrifugal pump Medana CH1-L.404-1/E/E/10T	
Max. operating pressure	1,000 kPa
Inlet pressure max.	600 kPa
Fluid temperature	-20 °C ... +120 °C
Max. ambient temperature	50 °C

**Motordata per Motor/Pump**

Motor efficiency class	IE2
Mains connection	3~ 400 V / 50 Hz
Permitted voltage tolerance	+ -10 %
Max. speed	2,900 1/min
Rated power P2	0.55 kW
Rated current	1.50 A
0	
Degree of protection	IP55
Insulation class	F
Motor protection	No

**Fitting dimensions**

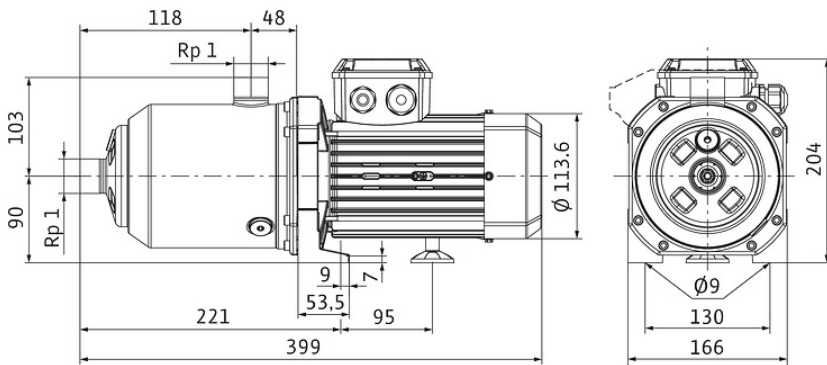
Pipe connection on the suction side	Rp 1, PN 10
Pipe connection (pressure side)	Rp 1, PN 10

**Materials**

Pump housing	1.4301
Impeller	1.4301
Shaft	1.4301
Shaft seal	BQ7EGG
Gasket material	EPDM
Stage chamber material	1.4301

**Information for order placements**

Weight approx.	9.7 kg
Item number	4231479



**Dimensions**                      mm