

Customer

Technical data

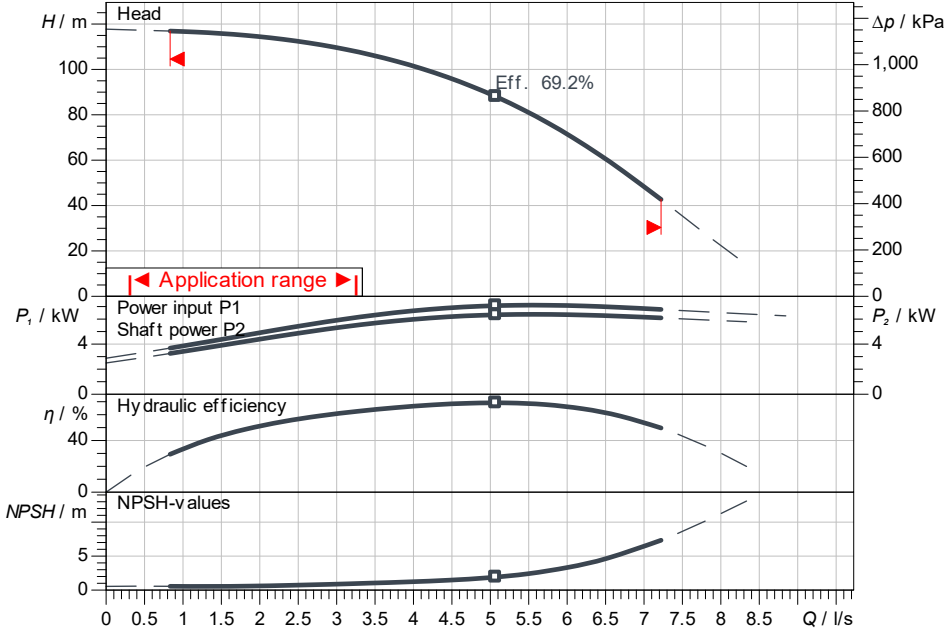
Fire-extinguishing system FLA-1 Helix V 1609/K-01 PN16

Project ID Untitled project 2025-03-03 14:15:38.327

Project name
Installation location
Customer pos. No.

Date 2025-03-03

Duty chart



Requested data

Flow
Head
Media Water 100 %
Fluid temperature 20.00 °C
Density 998.30 kg/m³
Kin. viscosity 1.00 mm²/s

Hydraulic data (Duty point)

Flow
Head
Shaft power P2

Product data

Fire-extinguishing system
FLA-1 Helix V 1609/K-01 PN16

No. of pumps 1
Max. operating pressure 1,600 kPa
Inlet pressure max. 1,000
Fluid temperature 3 °C ... +50 °C
Max. ambient temperature 40 °C
Protection class system IP55
Protection class of switchgear IP54
Diaphragm pressure vessel Yes
Low-water cut-out switchgear No

Motordata per Motor/Pump

Motor efficiency level IE3
Mains connection 3~ 400 V / 50 Hz
Permitted voltage tolerance +10 %
Rated speed 2,900 1/min
Rated power P2 7.50 kW
Rated current 13.70 A
Power factor 0.88
Efficiency 50% / 75% / 100% 89.8/90.5/90.1%
Degree of protection IP55
Insulation class F
Motor protection Yes

Fitting dimensions

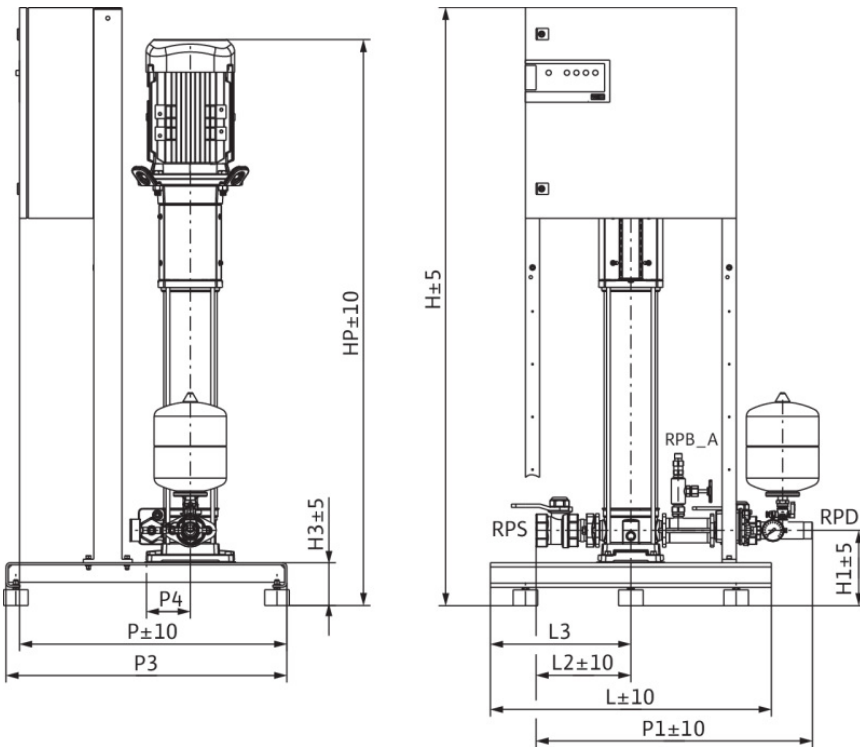
Pipe connection on the suction side Rp 2, PN 10
Pipe connection (pressure side) R 1½, PN 16

Materials

Pump housing 1.4301
Impeller 1.4307
Shaft 1.4301
Shaft seal Q1BE3GG
Gasket material EPDM
Pipework material 1.4307

Information for order placements

Weight approx. 176 kg
Item number 2534424



Dimensions

mm

H	1,705	L	800	P1	787	RPS	Rp 2, PN
H1	215	L1	862	P3	800		
H3	125	L2	270	P4	125		
HP	1,462	L3	400	RPB_A	R ¾		
HS	600	P	760	RPD	R 1½, PN		

Contact
E-mail
Phone

Customer

Contact
E-mail
Phone

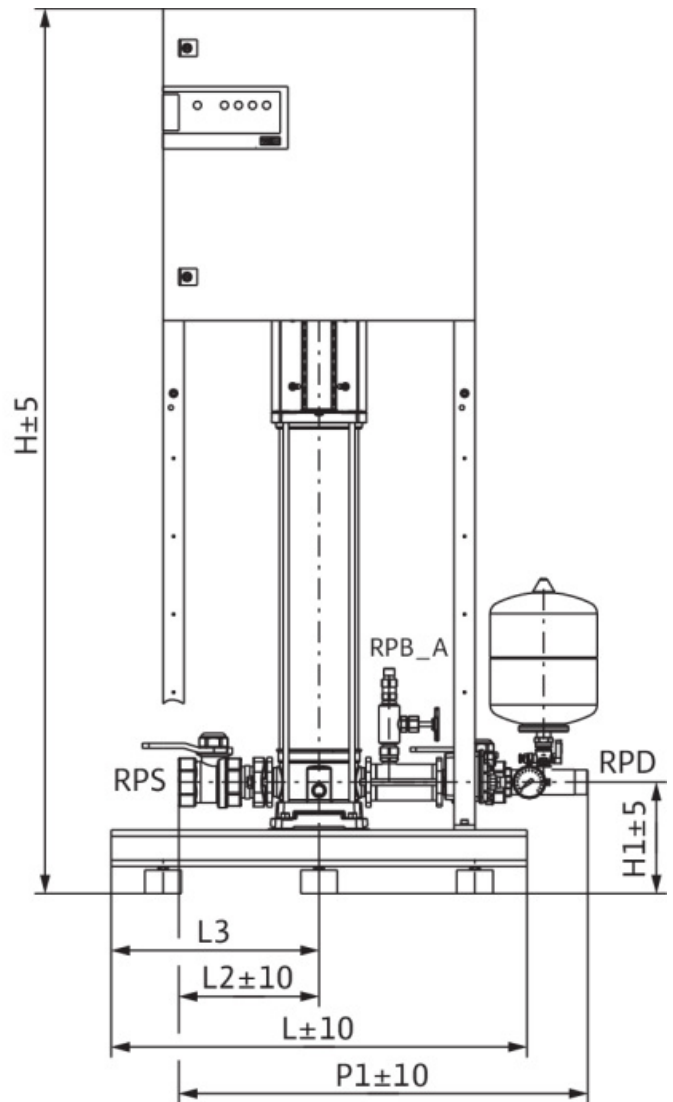
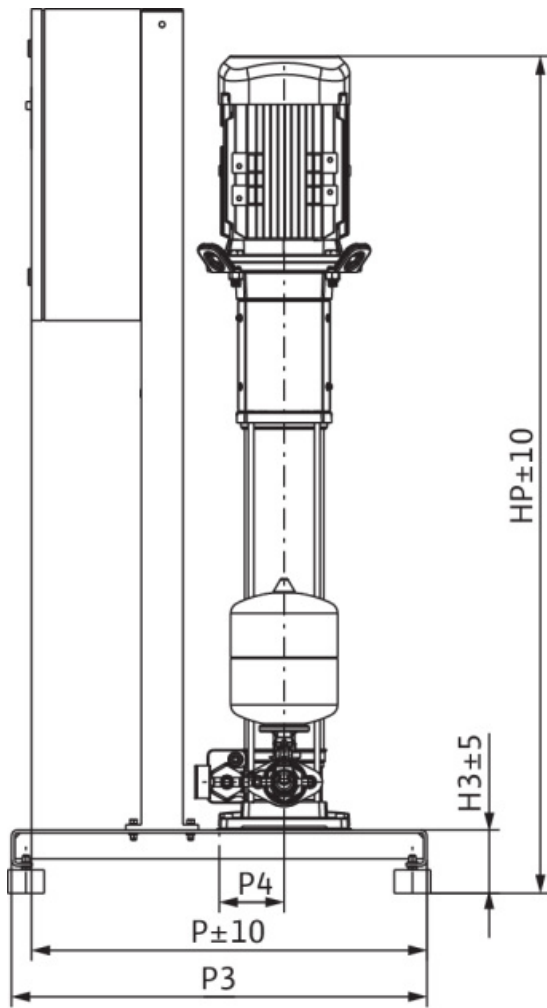
Dimensions

Fire-extinguishing system
FLA-1 Helix V 1609/K-01 PN16

Project ID Untitled project 2025-03-03 14:15:38.327

Project name
Installation location
Customer pos. No.

Date 2025-03-03



Standard

Suction side Rp 2, PN 10/PN 16
Discharge side R 1½, PN 10/PN 16

Dimensions mm

Name	Value	Name	Value	Name	Value	Name	Value
H	1,705	L2	270	RPD	R 1½, PN 16		
H1	215	L3	400	RPS	Rp 2, PN 10		
H3	125	P	760				
HP	1,462	P1	787				
HS	600	P3	800				
L	800	P4	125				
L1	862	RPB_A	R ¾				



Contact
E-mail
Phone

Customer

Contact
E-mail
Phone

Wiring diagram

Fire-extinguishing system FLA-1 Helix V 1609/K-01 PN16

Project ID: Untitled project 2025-03-03 14:15:38.327

Project name
Installation location
Customer pos. No.

Date 2025-03-03

Wiring diagram

1-phase / 3-phase **3~**

